

**Additional Technical Specifications
For Turnkey Based Contract (Design,
Supply and Installation) for Development
of Distribution Infrastructure Works for
Loss Reduction and Modernization as
well as Augmentation at Aravalli District
under UGVCL in Gujarat State under
Revamped Reforms - Based and Result -
Linked Distribution Sector Scheme which
inter-alia include:**

- Conversion of Overhead Distribution Electrical Network in to Under Ground Network
- Augmentation and Replacement of Distribution Transformer
- Earthing
- Crossing Removal Work
- Interlinking of Feeder
- GIS Mapping / Geo Urja Mapping (Developed by GUVNL) and Asset Tagging
- Pipe in Cage Earthing
- 8 Mtr PSC Pole
- 10 Mtr PSC Pole

TENDER NOTICE No:- UGVCL/PROJECT/RDSS/ARVALLI/096

INDEX

1. 11kV XLPE THREE CORE POWER CABLE
2. HEAT SHRINKABLE TYPE INDOOR & OUTDOOR TERMINATIONS KIT FOR 11kV CABLE
3. HEAT SHRINKABLE STRAIGHT THROUGH JOINT KIT FOR 11kV CABLE
4. 11 KV MOTORISED RING MAIN UNIT OUTDOOR TYPE
5. MAINTENANCE FREE EARTH FOR ELECTRICAL INSTALLATION
6. GI EARTHING STRIPS
7. 1.1kV XLPE INSULATED POWER CABLES
8. JOINTS FOR 1.1kV XLPE ALUMINIUM / COPPER POWER CABLES
9. MINI SECTION PILLAR (MSP)
10. M.S. CHANNEL, ANGLE AND FLAT ETC
11. FRP FENCING
12. DWC HDPE PIPES
13. CIVIL WORKS
14. MATERIALS USED FOR CIVIL WORKS
15. PIPE IN CAGE EARTHING
16. 8 / 10 Mtr PSC Pole

TENDER NOTICE No:- UGVCL/PROJECT/RDSS/ARVALLI/096
TECHNICAL SPECIFICATION FOR 11kV XLPE THREE CORE POWER CABLE

1 Scope:

- 1.1. The specification covers design, manufacture, shop testing, packing and delivery of 11kV voltage grade, three core power cable, Aluminum Conductor, Dry gas cured, Flame Retardant , Low Smoke (FRLS) type, XLPE insulated, PVC sheathed, Armoured, screened Power Cables of different sizes generally conforming to latest Standards of IS / IEC / BS or equivalent. These cables shall primarily be designed for effectively earthed neutral system.
- 1.2. The equipment offered shall be complete with all parts necessary for their effective and trouble-free operation. Such parts will be deemed to be within the scope of the supply irrespective of whether they are specifically indicated in the commercial order or not.
- 1.3. It is not the intent to specify herein complete details of design and construction. The equipment offered shall conform to the relevant standards and be of high quality, sturdy, robust and of good design and workmanship complete in all respects and capable to perform continuous and satisfactory operations in the actual service conditions at site and shall have sufficiently long life in service as per statutory requirements.
- 1.4. In these specifications, the design and constructional aspects, including materials and dimensions, will be subject to good engineering practice in conformity with the required quality of the product, and to such tolerances, allowances and requirements for clearances etc. as are necessary by virtue of various stipulations in that respect in the relevant IEC, IS standards and other statutory provisions.
- 1.5. Tolerances:
Tolerances on all the dimensions shall be in accordance with provisions made in the relevant standards. Otherwise the same will be governed by good engineering practice in conformity with required quality of the product.

2 Service Conditions:

Equipment to be supplied against this specification shall be suitable for satisfactory continuous operation under the following tropical conditions.

- a) Maximum ambient temperature of air: 50° C
- b) Maximum temperature of air in shade: 4° C
- c) Maximum daily average ambient temperature: 40° C
- d) Maximum yearly average ambient temperature: 30° C
- e) Relative Humidity: up to 95%
- f) Average number of thunder storm days per annum: 15
- g) Maximum annual Rainfall: 150cm
- h) Maximum Altitude above mean sea level: 1000Meter
- i) Maximum Wind Pressure: 150 Kg/cm² (As per IS 802 latest code)
- j) Maximum soil temperature at cable depth: 30° C
- k) Maximum soil thermal resistivity: 150° C cm/watt

TENDER NOTICE No:- UGVCL/PROJECT/RDSS/ARVALLI/096

3 Technical Parameters:

System details:

S.No	Description	11kV
i	Voltage grade (kV) of Cable	6.35 / 11 kV
ii	Core (Nos.)	3
iii	System Voltage	11kV
iv	Highest Voltage	12kV
v	Earthing system	Effectively earthed
vi	Frequency	50Hz
vii	Variation in supply voltage	" +6% to -9%
viii	Variation in supply frequency	± 3%
ix	Max. Conductor temp	90 °C at max. Continuous current
x	Max. Permissible short circuit temp.	250 °C for 1 sec
xi	Short circuit current	Shall be ≥28.3KA for 1 sec for 11kV 300sq.mm.
		Shall be ≥22.6KA for 1 sec for 11kV 240sq.mm.
		Shall be ≥17.5KA for 1 sec for 11kV 185sq.mm.
		Shall be ≥9.0KA for 1 sec for 11kV 95sq.mm.
		Shall be ≥6.6KA for 1 sec for 11kV 70sq.mm.
xii	Impulse Test Voltage	75kV and as per relevant IS or equivalent Standards
xiii	Max. D.C. resistance Ω /KM	As per relevant IS or equivalent Standards
xiv	End sealing	The cable ends of cable in the wooden drum for delivery shall be sealed with heat shrinkable caps

Continuous A.C. Current Capacity:

Continuous a.c. current capacity shall be as per Table given below.

Conductor sizes in sq.mm.	Continuous A.C. current capacity in Amps. at maximum conductor temp. of 90 °C.	
	11kV(E) HT XLPE three core cable	
	When laid direct in the ground	When laid in air
300 sq. mm	365	450
240 sq. mm	315	395
185 sq. mm	275	335
95 sq. mm	190	230
70 sq. mm	160	190

Additional Technical Specification for TENDER NOTICE No:- UGVCL/PROJECT/RDSS/ARVALLI/096

Signature of Tenderer
Place:

Company's Round Seal
Signature of Tenderer

Page 4 of 176
Date:

TENDER NOTICE No:- UGVCL/PROJECT/RDSS/ARVALLI/096

4 Applicable Standards:

Title	IS Standard	IEC / BS
XLPE PVC sheathed cable for working voltages from 3.3 kV up to and including 33kV.	IS 7098 (Part-II)	IEC 60502
Conductors for insulated electric cables and flexible	IS: 8130 - 1984	IEC 60228 -
PVC insulation and sheath of electric cables.	IS: 5831 - 1984	IEC 60502
Mild steel wires, Formed wires and Tapes for armouring of cables.	IS: 3975 - 1988	
Fictitious calculation method for determination of dimensions of protective coverings of cables.	IS :10462 (Part I) -1983	
Code of practice for installation & maintenance of power cables up to & including 33kV rating.	IS : 1255-1983	
Method of test for cables	IS : 10810	
Electro Technical Vocabulary for Electric Cables	IS:1885, Part-32	

5 General Technical Requirements:

5.1 General:

Three core power cables shall normally be high conductivity, stranded compacted H2/H4 grade aluminium circular shaped conductor as per IS: 8130 - 1984, provided with conductor screening (of extruded semi-conducting cross link material) and shall be insulated with XLPE of natural color. At rated continuous current and under standard conditions of installations the conductor temperature rise shall not exceed 45°C with an ambient temperature of maximum 45°C.

Outer sheath shall be designed to afford high degree of mechanical protection and shall also be heat, oil, chemical and weather resistant, Common acid, alkalis, FRLS Properties and sealing solution shall not have adverse effect on material of PVC sheath. Cable shall be suitable for lying in covered trenches and / or buried under-ground in outdoor.

5.2 Cable Design & Construction:

Conductor:

Electrolytic grade aluminum conductor shall be of H2/H4 grade as per clause 3.1 of IS 8130/1984 and shall have flexibility class-2 in accordance with clause 5.3 of IS 8130-1984. The shape of conductor shall be geometric, compacted, stranded, and circular.

Conductor screen/Shield:

The conductor screen shall be as per IS 8130, an extruded layer of black, semi-conducting compound. The allowable operating temperatures of the conductor shield shall be equal to or greater than those of the insulation. The conductor screen shall be extruded in the same operation as the insulation. The semi-conducting screens should be effectively cross linked to achieve 90°C cable rating. The interface between the extruded conductor screen and insulation shall be free of any voids. The volume resistivity of the screen material shall not exceed 1000 Ωm at 90°C.

TENDER NOTICE No:- UGVCL/PROJECT/RDSS/ARVALLI/096

The conductor having semi-conducting screen shall ensure perfectly smooth profile & avoid concentration of stress. The conductor screen shall be extruded in the same operation as the insulation. The semi-conducting polymer shall be cross linked.

Insulation:

The insulating material shall be XLPE cured by dry curing process and applied by true triple extrusion process as per IS-7098 and its latest amendments. The insulation shall be an extrusion of dry/sioplas (chemical curing only) cured thermosetting cross linked poly ethylene material rated for 90°C continuous operation.

The insulating material shall have excellent electrical properties with regard to resistivity, dielectric constant and loss factor and shall have high tensile strength and resistance to abrasion. This shall not deteriorate at elevated temperatures or when immersed in water.

The insulation properties shall be stable under thermal conditions arising out of continuous operation at conductor temperature of 90°C rising momentarily to 250°C under short circuit conditions. It shall be free from any foreign material or Porosity visible to the unaided eye. The insulation shall be so applied that it fits closely on the conductor and it shall be possible to remove it without damaging the conductor.

The extruded XLPE insulation shall be of very high degree of purity. The manufacturer should provide the certification that the XLPE compound used has proven track record. The insulation compound shall be clean with low levels of contamination. The quality of insulation should be good and insulation should not be deteriorated when exposed to the climatic conditions.

The thickness of insulation, tolerance on thickness of insulation shall be high standard quality generally confirming to IS: 7098 (Part II) and with any latest amendments.

Insulation Screen/ Shield:

Extruded Semi-conducting screening and metallic screening of copper tape shall be generally as per IS: 7098 (Part-II) with latest amendments. The semi conducting compound shall be suitable for the operating temperature of the cable and compatible with the insulating material.

The insulation screen shall be an extruded layer of black semi-conducting compound and continuously covers the whole area of the insulation. The semiconducting screens should be effectively cross linked to achieve 90°C cable rating. The contact surface between insulation and insulation screen shall be smooth and free from protrusion and irregularities.

The interface between the insulation and insulation screen shall be free of any voids. Insulation screen shall be strippable type.

The metallic screen shall consist of a layer of copper tape applied in helical form. Copper Screen withstand capacity shall be capable 1kA per second and its minimum area shall be 2.6sqmm.

TENDER NOTICE No:- UGVCL/PROJECT/RDSS/ARVALLI/096

Filler and Inner-Sheath:

The sheath shall be suitable to withstand the site conditions and the desired temperature. It shall be of adequate thickness, consistent quality and free from all defects. The Solid PVC / Solid Polypropylene sheath shall be extruded. The material of fillers and inner-sheath shall be compatible with the temperature ratings of the cable and shall have no deteriorious effect on any other component of the cable. Central PVC filler shall also, be provided. Fillers and inner sheath should be confirming to IS: 7098 (Part-II) 1985. PVC filler shall be solid type

Vulcanized or Unvulcanized rubber or thermoplastic material used for inner sheath shall not harder than compound used for insulation and outer sheath. Thickness of inner sheath shall be follow latest IS edition 7098-II.

Binder Tape:

Binder tape shall be continuing without break and minimum size of binder tape shall be 50micron. When more layers of binder tapes are applied over the laid up core, the thickness of the tapes shall be constructed as a part of inner sheath.

Water soluble tape also be provided between inner sheath and armour for coastal areas.

Armoring:

Armouring shall be following:

- (i) Galvanized steel strip
- (ii) Galvanized Bar

The dimensions of steel strips shall be as per latest edition of IS: 3975 - 1979.

Armouring shall be applied over the insulation or protective barrier or non-metallic part of insulation screening. Armour wire/formed wire shall be applied as closely as predictable. A binder tape may be applied over the armour. As per IS minimum 90% area of inner sheath covers through armour.

Joint in the armour / formed wires shall be made by brazing or welding and the surface irregularities shall be removed. A joint in any wires/formed wire shall be at least 300mm from the nearest formed wires in armour by required nos. of tinned copper wire / formed wire is permissible.

Outer sheath:

The outer sheath shall consist of extruded tough outer sheath of PVC compound insulation over the armouring. Inner conductor shielding, XLPE insulation and outer shielding shall be extruded in one operation by special process to ensure that the insulation is free from contaminations and voids and perfect bonding of inner & outer shielding with insulation is achieved. The PVC compound for the outer sheath shall conform to type ST-2 of IS: 5831 - 1984 (amended up to date), Outer sheath shall be Flame Retardant, Low smoke (FRLS) type. The color of the outer sheath shall be different according to the different size as Dark Blue for 300sqmm, Dark Green for 240sqmm, Black for 185sqmm and Dark red for 95sqmm & 70sqmm Cable. The cable must meet all the requirements of the IS: 7098 (Part 2) - 1985 amended up to date.

TENDER NOTICE No:- UGVCL/PROJECT/RDSS/ARVALLI/096

Discharge Free Construction:

The inner conductor shield, XLPE insulation, and outer insulation shield shall be extruded with a true triple extruder head using a dry cure process and sioplas (chemical curing) process for saline areas. The conductor screen, Insulation and Insulation screen shall all be extruded in single point at one-time process to ensure homogeneity and reduction of voids, in the insulation and the screening system of the cable.

Length:

The cable shall be supplied in standard drum length of 500 mtrs. +/- 5% tolerance for all the sizes of cable.

Over all tolerance in total quantity of ordered cables shall be +/- 2%.

Identification Mark:

- i. The cable drum shall be printed with information as per cl. 21; 2 of IS and ISI Certification mark. Bidder shall submit Xerox copy of valid ISI Licenses with technical bid.
- ii. For identification of cores, colored strip of Red, Yellow and Blue colors shall be used for identification of phases. Following details of identification shall be embossed at intervals of length of one meter of cable outer sheath.
 - (a) Name of manufacturer
 - (b) Year of manufacture
 - (c) ISI Mark
 - (d) Logo
 - (e) Applicable Standards
 - (f) License No.
 - (g) Voltage grade
 - (h) Name of purchaser "DISCOM".
 - (i) AT NO.
 - (j) Batch NO.

Storage & Handling of Cables

- The cable storage and Handling shall be carried out in accordance with IS 1255.
- All cables shall be inspected upon receipt at site and checked for any damage during transit. Cable drums shall be stored on a well-drained, hard surface, preferably of concrete, so that the drums do not sink in the ground causing rot and damage to the cable drums.
- It should be ensured that both ends of the cable are properly sealed to prevent ingress/absorption of moisture by the insulation.
- Protection from rain and sun shall be ensured. Sufficient ventilation between cable drums should be ensured during storage.
- The drums shall always be rested on the flanges and not on the flat sides.
- Damaged battens of drums etc. should be replaced, if necessary.
- When cable drums have to be moved over short distances, they should be rolled in the direction of the arrow, marked on the drum.
- For transportation over long distances, the drum should be mounted on cable drum wheels strong enough to carry the weight of the drum and pulled by means of ropes. Alternatively, they may be mounted on a trailer or on a suitable mechanical transport.

TENDER NOTICE No:- UGVCL/PROJECT/RDSS/ARVALLI/096

- When unloading cable drums from vehicles, a crane shall preferably be used. Otherwise the drum shall be rolled down carefully on a suitable ramp or rails, where necessary.
- While transferring cable from one drum to another, the barrel of the new drum shall have a diameter not less than that of the original drum.
- Cable with kinks and straightened kinks or with similar apparent defects like defective armouring etc. Shall be rejected.

5.3 Installation of Cable:

- **General:**

The cable laying including necessary termination shall be carried out in accordance with IS 1255. Cables shall be so laid that the maximum bending radius is 20 times the overall diameter for cables above 11kV Voltage level.

Trenching:

The detail technical specification of Trench shall be a part of civil works.

- (i) Width of Trench: - 300/450/600mm
- (ii) Depth of Trench: - 1200mm.

- **Laying of Cable**

- i. At the time of issue of cable for laying, the core shall be tested for continuity and insulation resistance.
- ii. Conduct Cable partial discharge test
- iii. The inter-axial spacing between the cables shall be maintained as per IS to maximize the cable capacity.
- iv. The cable drum shall be properly mounted on jacks or on a cable wheel, at a suitable location, making sure that the spindle, jack etc. shall be strong enough to carry the weight of the drum without failure and that the spindle is horizontal in the bearings so as to prevent the drum creeping to one side while rotating.
- v. The cable shall be pulled over rollers in the trench steadily and uniformly without jerks and strains. The entire cable length shall as far as possible be pulled off in one stretch. However, where this is not possible the remainder of the cable may be removed by 'Flaking' i.e. by making one long loop in the reverse direction.
- vi. After the cable has been uncoiled and laid into the trench over the rollers, the cable shall be lifted slightly over the rollers beginning from one end by helpers standing about 10 m apart and drawn straight. The cable should then be taken off the rollers by additional helpers lifting the cable and then laid in a reasonably straight line.
- vii. When the cable has been properly straightened, the cores shall be tested for continuity and insulation resistance. In case of PVC XLPE cables, suitable moisture seal tape shall be used for this purpose.
- viii. At the time of original installation, approximately 3 m of surplus cable shall be left on each end of the cable and on each side of underground joints (Straight through/Tee/Termination) and at entries and places as may be decided by the Engineer-in-Charge. The surplus cable shall be left in the form of a loop. Where there are long runs of cable length 3mtrs. Loose cable to be left at intervals of 100mtrs. Lengths in addition to lose at each bend of cable; if not specified otherwise.

TENDER NOTICE No:- UGVCL/PROJECT/RDSS/ARVALLI/096

• **Laying in HDPE pipes by HDD/closed ducts:**

- i. In location such as road crossing, crossing other utilities etc. cables shall be laid in HDPE pipes.
- ii. HDPE Pipes shall be used for such purposes. Pipes as required shall be laid along with the civil works and jointed according to the instructions of the Engineer-in-Charge as the case may be. The size of pipe shall be as indicated in the Road Crossing Drawing for Electrical Services.
- iii. The pipes on road crossing shall preferably be on the skew to reduce the angle of bends as the cable enters and leaves the crossings. This is particularly important for high voltage cables.
- iv. Manholes of adequate size as specified or decided by the Engineer-in-Charge shall be provided to facilitate feeding/drawing in of cables and to provide working space for persons. They shall be covered by suitable manhole covers with frame of proper design.
- v. Pipes shall be continuous and clear of debris or concrete before cable is drawn. Sharp edges at ends shall be smoothed to prevent injury to cable insulation or sheathing.
- vi. Cable grips/draw wires and winches etc. may be employed for drawing cables through pipes.

6 Tests & Testing Facilities:

Type Tests:

All the cable sizes i.e. items offered should have been fully type tested as per the relevant standards at any Govt. recognized Laboratory. The bidder shall furnish three sets of type test reports along with the offer. The Type test reports shall not be older than SEVEN years and shall be valid up to the expiry of validity of offer.

For any change in design/type, already type tested and the design / type offered against this specification, the purchaser reserves the right to demand reputation of type tests without any extra cost.

The purchaser also reserves the right to have tests carried out at his own cost by an independent agency, whenever there is a dispute regarding the quality of supply.

The following type test reports shall be furnished with the offer:

(a) Tests on conductor:

- (i) Tensile test (stranded Conductor)
- (ii) Resistance test

(b) Tests for armoring strips / wires:

- (i) Dimensions
- (ii) Tensile strength and elongation at break
- (iii) Wrapping test
- (iv) Resistivity test

(c) Tests for thickness of insulation and sheath.:

(d) Physical tests for insulation.:

- (i) Tensile strength and elongation at break.
- (ii) Ageing in air oven
- (iii) Hot set
- (iv) Shrinkage test
- (v) Water absorption

TENDER NOTICE No:- UGVCL/PROJECT/RDSS/ARVALLI/096

- (vi) Void and contaminants
- (vii) Physical Dimension and thickness of insulation
- (e) Physical tests on outer sheath:
 - (i) Tensile strength and elongation at break.
 - (ii) Ageing in air oven
 - (iii) Shrinkage test
 - (iv) Hot deformation
 - (v) Bleeding and blooming test
 - (vi) Thermal stability
 - (vii) Loss of Mass
 - (viii) Heat shock test
 - (ix) UV test
- (f) Partial discharge test
- (g) Bending test
- (h) Dielectric power factor test
 - i) As a function of voltage
 - ii) As a function of temperature
- (i) Insulation resistance test (volume resistivity)
- (j) Heating cycle test
- (k) Impulse withstand test
- (l) High voltage test
- (m) Flammability test
- (n) Water tightness test
- (o) Testing for bonding of conductor screen, insulation and insulation screen

Routine Tests:

All the Routine tests as per IS: 7098 (Part 2) - 1985 amended up to date shall be carried out on each and every delivery length of cable. The result should be given in test report. Partial discharge test must be carried out in a fully screened test cell. It is, therefore, absolutely essential that the manufacturer should have the appropriate type of facility to conduct this test which is routine test.

Acceptance Tests:

- i. All Acceptance tests as per IS:7098 (Part 2) - 1985 as modified up to date including the optional test as per clause no 18.4 and Flammability Test shall be carried out on sample taken from the delivery lot.
- ii. The following acceptance tests shall be carried out on the selected samples as per IS: 7098 (Part-II) - 1985.
 - (a) Annealing test (for copper)
 - (b) Tensile test (for aluminum)
 - (c) Wrapping test (for aluminum)
 - (d) Conductor resistance test.
 - (e) Test for thickness of insulation and sheath
 - (f) Hot set test for insulation
 - (g) Tensile strength and elongation at break test for insulation and sheath.
 - (h) Partial discharge test (for screened cables only)
 - (i) High voltage test for 4 hours
 - (j) Insulation resistance (volume resistivity) test.

TENDER NOTICE No:- UGVCL/PROJECT/RDSS/ARVALLI/096

- (k) Copper foil resistivity test
- (l) Identification of cores, colored strip of Red, Yellow and Blue colors
- (m) Test for Dimension of insulation
- (n) Void and contaminants test
- (o) Measurement of Capacitance

iii. All the acceptance tests shall be carried out by the firm, in the presence of purchaser's representative at their works. The firm shall give at least 15 days' advance notice to the purchaser to enable him to depute the engineer for witnessing the tests. The test certificates for acceptance tests witnessed by inspecting officer/ engineer shall be submitted for approval before dispatch of material.

Test:

The bidder shall have to submit, well in advance, the test certificates for the following routine test for approval prior to inspection of the materials for the complete lot offered for inspection at a time.

- a) Partial Discharge Test
- b) Conductor Resistance Test.
- c) High Voltage Test.

Stage Inspection:

- i. The inspection may be carried out by the purchaser at any stage of manufacture. The successful bidder shall grant free access to the purchaser's representative at reasonable time, when the work is in progress. Inspection and acceptance, of any cables under this specification by the purchaser, shall not relieve the supplier of his obligation of supplying cable in accordance with the specification and shall not prevent subsequent rejection, if the cables are found defective.
- ii. The supplier shall keep the purchaser informed in advance about the program of manufacturing of cables so that arrangement can be made for inspection.
- iii. The purchaser reserves the right to insist for witnessing the acceptance / routing tests of the bought out items.

Packing and Forwarding:

- a) The cable shall be wound on wooden drums as per IS: 10418 - 1972 and packed in drums suitable for vertical / horizontal transport, as the case may be and shall be suitable to withstand rough handling during transport and outer storage. The outer surface of the drum shall be painted with white aluminum paint. Similarly, the inside surface of drum shall have the protective layer of varnish / paint to protect it from white ants.
- b) The wooden drums shall be reinforced with steel bends and strips for better protection.
- c) The ends of the cable shall be sealed by means of non-hygroscopic sealing materials.
- d) The following information may be stenciled on the drum with either water proof ink or oil paint:
 - i. Reference of IS / IEC standard.
 - ii. Manufacturer's name or trademark.
 - iii. Type of cable and voltage grade.
 - iv. No. of cores.
 - v. Nominal cross-sectional area of conductor.
 - vi. Cable code.
 - vii. Length of cable on the drum

TENDER NOTICE No:- UGVCL/PROJECT/RDSS/ARVALLI/096

- viii. No. of lengths on the drum (if more than one)
- ix. Direction of rotation of drum (by means of an arrow)
- x. Position of outer end of cable
- xi. Gross weight
- xii. Country of manufacture
- xiii. Year of manufacture
- xiv. Reference of A/T No. & date
- xv. Property of UGVCL
- xvi. Name of consignee and the destination.

The drum may also be marked with ISI Certification Mark.

Over and above, name plate of aluminum of suitable size and thickness, containing all the above information, shall be fixed on the drum in addition to the painting.

- e) The firm shall be responsible for any damage to the cables during transit due to improper and inadequate packing. Wherever necessary, proper arrangement for lifting, such as lifting hooks, shall be provided. Any cable found short inside the packing cases shall be supplied by the supplier, without any extra cost.
- f) Each consignment shall be accompanied by a detailed packing list, containing the following information:
 - i. Name of consignee
 - ii. Details of consignment
 - iii. Destination
 - iv. Total weight of consignment
 - v. Handling and unpacking instruction
 - vi. Bill of materials, indicating contents of each package.

Site Testing:

a) Testing before laying:

All cables, before laying, shall be tested with a 2500 / 5000V megger. The cable core shall be tested for continuity, absence of cross phasing, and insulation resistance from conductors to earth / armour and between conductors.

b) Testing after laying:

After laying and jointing, the cable shall be subjected to a 15 minutes pressure test. The test pressure shall be as per applicable IS. DC pressure testing may normally prefer to AC pressure testing or as per latest IS code.

Drawing & Literature:

Contractor shall provide an illustrated literature on the cable, giving technical information, on current ratings, cable constants, short circuit ratings, de-rating factors, for different types of installation, packing date, weights and other relevant information.

Completion plan and completion certificate

After completion of the work the Contractor shall draw completion plans to a suitable scale in duplicate and frame for installation in switching-stations shall submit to the Construction - Manager. The completion plans shall, inter-alia, give the following details:

- i. Layout of cable work
- ii. Length, size, type and grade of cables.
- iii. Method of laying i.e. direct in the Trench or in pipes etc.
- iv. Location of each joint with jointing method followed.

TENDER NOTICE No:- UGVCL/PROJECT/RDSS/ARVALLI/096

7 GTP

S.No	DESCRIPTION	DETAILS				
		3C X 70 ² MM	3C X 95 ² MM	3C X 185 ² MM	3C X 240 ² MM	3C X 300 ² MM
1	GENERAL					
	Name of Manufacturer					
	Voltage Grade	6.35/11kV	6.35/11kV	6.35/11kV	6.35/11kV	6.35/11kV
	Standards Applicable	IS: 7098 (P-2)	IS: 7098 (P-2)	IS: 7098 (P-2)	IS: 7098 (P-2)	IS: 7098 (P-2)
2	CONDUCTOR					
	Material	Aluminium as per class-2 of IS: 8130	Aluminium as per class-2 of IS: 8130	Aluminium as per class-2 of IS: 8130	Aluminium as per class-2 of IS: 8130	Aluminium as per class-2 of IS: 8130
	Nominal Cross Sectional Area	70 SQMM	95 SQMM	185 SQMM	240 SQMM	300 SQMM
	Shape of conductor	Stranded compacted circular	Stranded compacted circular	Stranded compacted circular	Stranded compacted circular	Stranded compacted circular
	Nominal Diameter	As per IS-8130	As per IS-8130	As per IS-8130	As per IS-8130	As per IS-8130
	Max. DC Resistance at 20 Deg.C	0.44 Ohms/km	0.32 Ohms/km	0.164 Ohms/km	0.125 Ohms/km	0.1 Ohms/km
	Approx. AC Resistance at 90 Deg.C	0.56 Ohms/km	0.41 Ohms/km	0.21 Ohms/km	0.16 Ohms/km	0.13 Ohms/km
	Short Circuit Current for 1 sec	6.6 kA/sec	9 kA/sec	17.5 kA/sec	22.6 kA/sec	28.3 kA/sec
	Approx. Reactance at 50 Hz	0.10 Ohms/km	0.095 Ohms/km	0.087 Ohms/km	0.085 Ohms/km	0.082 Ohms/km
	Approx. Capacitance at 50 Hz	0.25 uF/km	0.29 uF/km	0.36 uF/km	0.41 uF/km	0.46 uF/km
3	Max CONDUCTOR TEMPERATURE					
	Rated	90 Degree C	90 Degree C	90 Degree C	90 Degree C	90 Degree C
	During short circuit	250 Degree C	250 Degree C	250 Degree C	250 Degree C	250 Degree C
4	CONDUCTOR SCREEN					
	Material	Extruded semi conducting compound	Extruded semi conducting compound	Extruded semi conducting compound	Extruded semi conducting compound	Extruded semi conducting compound
	Thickness (Minimum)	As per IS-8130	As per IS-8130	As per IS-8130	As per IS-8130	As per IS-8130
5	INSULATION					
	Material	XLPE, Confirming to IS: 7098 (P-2)	XLPE, Confirming to IS: 7098 (P-2)	XLPE, Confirming to IS: 7098 (P-2)	XLPE, Confirming to IS: 7098 (P-2)	XLPE, Confirming to IS: 7098 (P-2)
	Thickness (Nominal)	To be filled by Bidders				
6	INSULATION SCREEN					
	Material	Extruded semi conducting compound	Extruded semi conducting compound	Extruded semi conducting compound	Extruded semi conducting compound	Extruded semi conducting compound
	Thickness (Minimum)	0.3mm	0.3mm	0.3mm	0.3mm	0.3mm

Additional Technical Specification for TENDER NOTICE No:- UGVCL/PROJECT/RDSS/ARVALLI/096

Signature of Tenderer
Place:

Company's Round Seal
Signature of Tenderer

Page 14 of 176
Date:



Uttar Gujarat Vij Company Limited

CIN - U40102GJ2003SGC042906
(A subsidiary of Gujarat Urja Vikas Nigam Limited)

TENDER NOTICE No:- UGVCL/PROJECT/RDSS/ARVALLI/096

7	CORE COLOUR	For 3 Cores- Coloured strips of Red, Yellow & Blue	For 3 Cores- Coloured strips of Red, Yellow & Blue	For 3 Cores- Coloured strips of Red, Yellow & Blue	For 3 Cores- Coloured strips of Red, Yellow & Blue	For 3 Cores- Coloured strips of Red, Yellow & Blue
8	INNER SHEATH					
	Material	Extruded PVC "Type ST-2" as per IS: 5831	Extruded PVC "Type ST-2" as per IS: 5831	Extruded PVC "Type ST-2" as per IS: 5831	Extruded PVC "Type ST-2" as per IS: 5831	Extruded PVC "Type ST-2" as per IS: 5831
	Thickness (minimum)	0.5mm	0.6 mm	0.7 mm	0.7 mm	0.7 mm
	Colour	Black	Black	Black	Black	Black
9	ARMOUR					
	Material	Galvanized steel Round Wire/strip as per IS: 3975	Galvanized steel Round Wire/strip as per IS: 3975	Galvanized steel Round Wire/strip as per IS: 3975	Galvanized steel Round Wire/strip as per IS: 3975	Galvanized steel Round Wire/strip as per IS: 3975
	Nominal Dia. of armour	2.50 mm/4.0(L) * 0.8(T) (Wire-dia/Strip-thickness)	2.50 mm/4.0(L) * 0.8(T) (Wire-dia/Strip-thickness)	3.15 mm/4.0(L) * 0.8(T) (Wire-dia/Strip-thickness)	3.15 mm/4.0(L) * 0.8(T) (Wire-dia/Strip-thickness)	3.15 mm/4.0(L) * 0.8(T) (Wire-dia/Strip-thickness)
10	OUTER SHEATH					
	Material	Extruded PVC "Type ST-2" as per IS: 5831	Extruded PVC "Type ST-2" as per IS: 5831	Extruded PVC "Type ST-2" as per IS: 5831	Extruded PVC "Type ST-2" as per IS: 5831	Extruded PVC "Type ST-2" as per IS: 5831
	Thickness (minimum)	2.04 mm / 1.88 (Wire/Strip) or as per IS	2.20 mm / 2.04 (Wire/Strip) or as per IS	2.52 mm / 2.36 (Wire/Strip) or as per IS	2.68 mm / 2.52 (Wire/Strip) or as per IS	2.84 mm / 2.68 (Wire/Strip) or as per IS
	Colour	Black or any other color as per required	Black or any other color as per required	Black or any other color as per required	Black or any other color as per required	Black or any other color as per required
11	CABLE DATA					
	Approximate overall Dia of cable	as per IS	as per IS	as per IS	as per IS	as per IS
	Tolerance on overall Dia	as per IS	as per IS	as per IS	as per IS	as per IS
12	Continuous current rating for cables when laid up					
	In Buried direct in Ground @ 30 °C	160 A	190 A	275 A	315 A	365 A
	In Air @ 40 °C	190 A	230 A	335 A	395 A	450 A
13	Drum Details	In Non-Returnable Wooden Drum as per IS: 10418				
	Standard Drum Length*	500 mtrs	500 mtrs	500 mtrs	500 mtrs	300 mtrs
	Individual drum tolerance	± 5 %	± 5 %	± 5 %	± 5 %	± 5 %
	Overall Quantity tolerance	± 2%.	± 2%.	± 2%.	± 2%.	± 2%.
14	Sequential length marking	Shall be provided on outer sheath @ every one mtr				
15	Embossing/Printing	Manufacturer Name-Cable Electric 11kV (E), Cable Size, Year of Mfr.				

Additional Technical Specification for TENDER NOTICE No:- UGVCL/PROJECT/RDSS/ARVALLI/096

Signature of Tenderer
Place:

Company's Round Seal
Signature of Tenderer

Page 15 of 176
Date:

TENDER NOTICE No:- UGVCL/PROJECT/RDSS/ARVALLI/096
HEAT SHRINKABLE TYPE INDOOR & OUTDOOR TERMINATIONS KIT FOR 11kV CABLE

1. Scope:

- 5.1 This Section of the Specification covers design, manufacturing, testing, packing, supply & commissioning of heat shrinkable type indoor and outdoor termination kit suitable for 11 kV XLPE cable.
- 5.2 The equipment offered shall be complete with all parts necessary for their effective and trouble-free operation. Such parts will be deemed to be within the scope of the supply irrespective of whether they are specifically indicated in the commercial order or not.
- 5.3 It is not the intent to specify herein complete details of design and construction. The equipment offered shall conform to the relevant standards and be of high quality, sturdy, robust and of good design and workmanship complete in all respects and capable to perform continuous and satisfactory operations in the actual service conditions at site and shall have sufficiently long life in service as per statutory requirements.
- 5.4 In these specifications, the design and constructional aspects, including materials and dimensions, will be subject to good engineering practice in conformity with the required quality of the product, and to such tolerances, allowances and requirements for clearances etc. as are necessary by virtue of various stipulations in that respect in the relevant IEC, IS standards and other statutory provisions.
- 5.5 Tolerances on all the dimensions shall be in accordance with provisions made in the relevant standards. Otherwise the same will be governed by good engineering practice in conformity with required quality of the product.

2. Service Conditions:

Equipment to be supplied against this specification shall be suitable for satisfactory continuous operation under the following tropical conditions.

- a) Maximum ambient temperature of air: 50°C
- b) Maximum temperature of air in shade: 4°C
- c) Maximum daily average ambient temperature: 40°C
- d) Maximum yearly average ambient temperature: 30°C
- e) Relative Humidity: up to 95%
- f) Average number of thunder storm days per annum: 15
- g) Maximum annual Rainfall: 150cm
- h) Maximum Altitude above mean sea level: 1000Meter
- i) Maximum Wind Pressure: 150 Kg/cm² (As per IS 802 latest code)
- j) Maximum soil temperature at cable depth: 30°C
- k) Maximum soil thermal resistivity: 150°C cm/watt

TENDER NOTICE No:- UGVCL/PROJECT/RDSS/ARVALLI/096

3. Technical Parameters:

System details:

S.No	Description	11kV
i	Voltage grade (kV) of Cable	6.35 / 11 kV
ii	Core (Nos.)	3
iii	System Voltage	11kV
iv	Highest Voltage	12kV
v	Earthing system	Effectively earthed
vi	Frequency	50Hz
vii	Variation in supply voltage	" +6% to -9%
viii	Variation in supply frequency	± 3%
ix	A.C. Withstand Voltage (ph/ground) with time duration	35kV, 1min
x	Partial discharge at 2Vo	< 5pc
xi	Impulse Withstand, 1.2/50/Us	75kV
xii	Thermal Withstand Short Circuit current 1Sec	As per IS 13573
xiii	Dynamic short circuit withstand	2.55 x As per IS 13573
xiv	DC Voltage	48kV for 30mins.
xv	Materials of the tubing / molded part	Polyolefin
xvi	Method of Stress Control	High permittivity material

4. Application Standards: -

Title	IS Standard	IEC Standard
Applicable IS Standard	IS 13573	
Power cables with extruded insulation and their accessories for rated voltages from 1 kV ($U_m = 1,2$ kV) up to 30 kV ($U_m = 36$ kV) - ALL PARTS	IS 7098 (Part-II) IS 13573,1992	IEC 60502
Heat shrinkable moulded shapes - Part 1: Definitions and general requirements	-	IEC 62329-1
Heat-shrinkable moulded shapes - Part 2: Methods of test	-	IEC 62329-2

5. General Technical Parameters:

Additional Technical Specification for TENDER NOTICE No:- UGVCL/PROJECT/RDSS/ARVALLI/096

Signature of Tenderer
Place:

Company's Round Seal
Signature of Tenderer

Page 17 of 176
Date:

TENDER NOTICE No:- UGVCL/PROJECT/RDSS/ARVALLI/096

The purpose of this specification is to specify the performance requirements of termination kits for the use on 50C/S phase system with earthed neutral for working voltage of 11kV. Earthing arrangement shall be as per relevant standard and details of earthing arrangement offered shall be submitted along with the tender.

- 5.1 The cable termination kit shall be suitable for termination of the cable on indoor switchgear or outdoor installation as per requirement. The type of cable will be XLPE insulated. The cable termination jointing kits shall be as per defined in IEC 62329-1.
- 5.2 Proper stress control, stress grading and non-tracking arrangement in the termination shall be offered by means of proven methods, details of which shall be elaborated in the offer. Detailed sectional views of the assemblies shall be submitted along with the offer. In case of heat shrinkable cable accessories, stress control tubing, shall have volume resistivity of minimum 1, 00, 00,000 Ohms- meter for termination. Also relative permittivity shall be minimum 15.
- 5.3 Impedance of stress control tubing shall not change over a range of temperature from 0° C to 125°C. The impedance also remains constant in spite of the difference in stress, which will exist within the sleeve due to heating effect within the conductors and the temperature of the environment. Bidder must submit graph-showing effect on the impedance value of stress control humbling due to temperature variations and thermal ageing with his offer.
- 5.4 In all type of kits offered, the external leakage insulation between high voltage conductor and ground as specified in I.E.E.E. -48, 1975 amended up to date, shall be of non-tracking erosion resistant and weather resistant flexible sleeve.
- 5.5 The kit offered shall provide for total environmental sealing of the cable crutch and at the lug end.
- 5.6 Termination system shall be suitable for use with standard aluminum conductor fittings [cable lugs and ferrules] of compressed crimping type.
- 5.7 The termination kit of heat shrinkable type kit, the joint shall include heat shrinkable dual wall tubing, which shall be insulating from inside and semiconductor from outside.
- 5.8 Material used for construction of a joint/termination shall perfectly match with the dielectric, chemical and physical characteristics of the associated cable. The material and design concepts shall incorporate a high degree of operating compatibility between the cable and the joints.
- 5.9 The tenderer shall indicate the required net dimensions of the indoor cable, joints for various cable sizes, in the form of Length X Breadth X Depth in mm.

6. Test & Inspection:

- 6.1 The termination kits offered shall be fully type tested as per the relevant standards and the test certificates are to be provided.
- 6.2 The supplier shall carry out all routine tests as stipulated in the relevant standards.
- 6.3 The termination kits offered shall be fully type tested at CPRI as per the relevant standards. The vendor shall furnish four sets of the type test reports along with the MQP for getting approval on material before placing purchase order to the manufacturer.
- 6.4 Type tests shall be carried out as per the test sequence given in I.S.:13573 or VDE-0278 at C.P.R.I. Laboratory as amended from time to time. The test report will have to be submitted for the test carried out.
- 6.5 Test details for Termination Kit should be as follow:

TENDER NOTICE No:- UGVCL/PROJECT/RDSS/ARVALLI/096

Indoor as per VDE 0278	
1.	Partial Discharge Test
2.	Partial Discharge Test
3.	Conductor Resistance Test
4.	Partial Discharge Test
5.	AC High Voltage Test (Dry)
6.	Tan Delta as a Function of Voltage & Capacitance.
7.	Tan Delta as a Function of temperature
8.	Impulse with stand test
9.	AC Voltage life test with cyclic current loading
10.	Partial Discharge Test
11.	Tan Delta as a Function of Voltage & capacitance.
12.	AC Voltage life test with cyclic current loading
13.	Thermal Short circuit test
14.	AC Voltage life test with cyclic current loading
15.	Partial Discharge Test
16.	Conductor Resistance Test
17.	Impulse with stand test
18.	D.C. High Voltage test

Outdoor Termination VDE 0278	
1.	Partial Discharge Test
2.	Partial Discharge Test
3.	Conductor Resistance Test
4.	Impact Test
5.	Wet power frequency AC High Voltage Test
6.	Partial Discharge Test
7.	Tan Delta as a Function of Voltage & Capacitance.
8.	Tan Delta as a Function of temperature
9.	Impulse with stand test
10.	AC Voltage life test with cyclic current loading
11.	Partial Discharge Test
12.	Tan Delta as a Function of Voltage & Capacitance.
13.	AC Voltage life test with cyclic current loading
14.	Short circuit test
15.	AC Voltage life test with cyclic current loading
16.	Conductor Resistance Test
17.	Impulse with stand test
18.	D.C. High Voltage test
19.	Dynamic short circuit
20.	Impulse with stand test
21.	D.C. High Voltage test

7. GTP

Sr. No	Particulars	Unit	Guaranteed values.
--------	-------------	------	--------------------

Additional Technical Specification for TENDER NOTICE No:- UGVCL/PROJECT/RDSS/ARVALLI/096

Signature of Tenderer
Place:

Company's Round Seal
Signature of Tenderer

Page 19 of 176
Date:



Uttar Gujarat Vij Company Limited

CIN - U40102GJ2003SGC042906
(A subsidiary of Gujarat Urja Vikas Nigam Limited)

TENDER NOTICE No:- UGVCL/PROJECT/RDSS/ARVALLI/096

1	MANUFACTURER		
2	APPLICABLE STANDARDS		As per IS:13573
3	GUARANTEED PARTICULARS		
3.1	For the nominal (phase to phase) System voltages	KV	11KV
	Maximum system voltage	KV	12KV
3.2	A.C. withstand voltage Dry (ph. / ground)	KV	35KV
	Time duration	Mins	1Min
	A.C. withstand voltage Wet(ph. / ground)	KV	28KV
	Time duration	Mins	1Min
3.3	Partial Discharge at 2Vo	pC	<5pC
3.4	Impulse withstand, 1.2 / 50 / Us	kV	75KV
3.5	Load cycle Test		
	a) Each Cycle-Heating Duration		
	Temperature	Hrs.	5
	Cooling Duration	OC	100
	Number of Cycles	Hrs.	3
			117
		kV	2.5Uo
	b) Continuous phase to ground Voltage Withstand		
3.6	Leak Tightness		9 Cycles.
3.7	Thermal Withstand Short circuit current	ka	As per IS:13573
3.8	Dynamic short circuit Withstand	Ka peak	2.55 x Is As per IS:13573
3.9	DC Voltage	kV	48kV for 30Mins.
4	KIT PARTICULARS		
4.1	Material of the tubing/molded parts		Polyolefin
4.2	Method of stress control		High permittivity Material.
4.3	Method of environmental seal		H.S. Anti-tracking Tubes.
4.4	Allowable Kit storage Temperature	OC	Normal Ambient Temperature.
4.5	Shelf life of H.S components	Years	More than 5 Years.
5	Cable Termination Instruction Manuals	Yes/No	Yes

HEAT SHRINKABLE STRAIGHT THROUGH JOINT KIT FOR 11KV CABLE

1. Scope:

Additional Technical Specification for TENDER NOTICE No:- UGVCL/PROJECT/RDSS/ARVALLI/096

Signature of Tenderer
Place:

Company's Round Seal
Signature of Tenderer

Page 20 of 176
Date:

TENDER NOTICE No:- UGVCL/PROJECT/RDSS/ARVALLI/096

- 1.1 This Section of the Specification covers design, manufacturing, testing, packing, supply & commissioning of heat shrinkable type straight through joint kit suitable for 11 kV XLPE cable.
- 1.2 The equipment offered shall be complete with all parts necessary for their effective and trouble-free operation. Such parts will be deemed to be within the scope of the supply irrespective of whether they are specifically indicated in the commercial order or not.
- 1.3 It is not the intent to specify herein complete details of design and construction. The equipment offered shall conform to the relevant standards and be of high quality, sturdy, robust and of good design and workmanship complete in all respects and capable to perform continuous and satisfactory operations in the actual service conditions at site and shall have sufficiently long life in service as per statutory requirements.
- 1.4 In these specifications, the design and constructional aspects, including materials and dimensions, will be subject to good engineering practice in conformity with the required quality of the product, and to such tolerances, allowances and requirements for clearances etc. as are necessary by virtue of various stipulations in that respect in the relevant IEC, IS standards and other statutory provisions.
- 1.5 Tolerances on all the dimensions shall be in accordance with provisions made in the relevant standards. Otherwise the same will be governed by good engineering practice in conformity with required quality of the product.

2. Service Conditions:

Equipment to be supplied against this specification shall be suitable for satisfactory continuous operation under the following tropical conditions.

- a) Maximum ambient temperature of air: 50°C
- b) Maximum temperature of air in shade: 4°C
- c) Maximum daily average ambient temperature: 40°C
- d) Maximum yearly average ambient temperature: 30°C
- e) Relative Humidity: up to 95%
- f) Average number of thunder storm days per annum: 15
- g) Maximum annual Rainfall: 150cm
- h) Maximum Altitude above mean sea level: 1000Meter
- i) Maximum Wind Pressure: 150 Kg/cm² (As per IS 802 latest code)
- j) Maximum soil temperature at cable depth: 30°C
- k) Maximum soil thermal resistivity: 150°C cm/watt

3. Technical Parameters:

System details:

S.No	Description	11kV
i	Voltage grade (kV) of Cable	6.35 / 11 kV



Uttar Gujarat Vij Company Limited

CIN - U40102GJ2003SGC042906
(A subsidiary of Gujarat Urja Vikas Nigam Limited)

TENDER NOTICE No:- UGVCL/PROJECT/RDSS/ARVALLI/096

ii	Core (Nos.)	3
iii	System Voltage	11kV
iv	Highest Voltage	12kV
v	Earthing system	Effectively earthed
vi	Frequency	50Hz
vii	Variation in supply voltage	" +6% to -9%
viii	Variation in supply frequency	± 3%
ix	A.C. Withstand Voltage (ph/ground) with time duration	35kV, 1min
x	Partial discharge at 2Vo	< 5pc
xi	Impulse Withstand, 1.2/50/Us	75kV
xii	Thermal Withstand Short Circuit current 1Sec	As per IS 13573
xiii	Dynamic short circuit withstand	2.55 x As per IS 13573
xiv	DC Voltage	48kV for 30mins.
xv	Materials of the tubing / molded part	Polyolefin
xvi	Method of Stress Control	High permittivity materials

Application Standards: -

Title	IS Standard	IEC Standard
Applicable IS Standard	IS 13573	
Power cables with extruded insulation and their accessories for rated voltages from 1 kV ($U_m = 1,2$ kV) up to 30 kV ($U_m = 36$ kV) - ALL PARTS	IS 7098 (Part-II) IS 13573,1992	IEC 60502
Heat shrinkable moulded shapes - Part 1: Definitions and general requirements	-	IEC 62329-1
Heat-shrinkable moulded shapes - Part 2: Methods of test	-	IEC 62329-2

4. General Technical Parameters:

The purpose of this specification is to specify the performance requirements of cable jointing kits for the use on 50C/S phase system with earthed neutral for working voltage of 11kV. Earthing arrangement shall be as per relevant standard and details of earthing arrangement offered shall be submitted along with the tender.

TENDER NOTICE No:- UGVCL/PROJECT/RDSS/ARVALLI/096

- 4.1 Proper stress control, stress grading and non-tracking arrangement in the joint shall be offered by means of proven methods, details of which shall be elaborated in the offer. Detailed sectional views of the assemblies shall be submitted along with the offer. In case of heat shrinkable cable accessories, stress control tubing, shall have volume resistivity of minimum 1, 00, 00,000 Ohms- meter for straight through joints. Also relative permittivity shall be minimum 15.
- 4.2 Impedance of stress control tubing shall not change over a range of temperature from 0° C to 125°C. The impedance also remains constant in spite of the difference in stress, which will exist within the sleeve due to heating effect within the conductors and the temperature of the environment. Bidder must submit graph-showing effect on the impedance value of stress control tubing due to temperature variations and thermal ageing with his offer.
- 4.3 The jointing kit shall be with aluminum crimping type ferrules, semi-conductor self-bonding tape, the self-amalgamating tape [or EPR or equivalent] stress grading pad etc. The straight through joints should be absolutely impervious to the entry of water. The manufacturer shall use the proven technologies and design to ensure a construction, which will prevent entry of water or any other liquid inside the straight through joint and cable. Proven technologies such as resin injection, hydrophobic sealants etc. shall be deployed in the critical areas.
- 4.4 In all type of jointing kits offered, the external leakage insulation between high voltage conductor and ground as specified in I.E.E.E. -48, 1975 amended up to date, shall be of non-tracking erosion resistant and weather resistant flexible sleeve.
- 4.5 The kit offered shall provide for total environmental sealing of the cable crutch and at the lug end.
- 4.6 Jointing system shall be suitable for use with standard aluminum conductor fittings [cable lugs and ferrules] of compressed crimping type.
- 4.7 For straight through joint the kit shall also include tubular sleeve in line connectors for solder less crimping of cable connector. The connector shall be of aluminum alloy A 6 drop forged type or other equivalent or better material.
- 4.8 Material used for construction of a joint shall perfectly match with the dielectric, chemical and physical characteristics of the associated cable. The material and design concepts shall incorporate a high degree of operating compatibility between the cable and the joints. The tenderer shall indicate the required net dimensions of the indoor cable, joints for various cable sizes, in the form of Length X Breadth X Depth in mm.
- 4.9 The kit which requires lesser skill for the cable jointing which can be done in shorter time and guarantee a reliable and long operating life and reduced or no waiting time for erection shall be given preference.

5. TEST & INSPECTION:

- 5.1 The jointing kits offered, shall be fully type tested as per the relevant standards and the test certificates are to be provided.
- 5.2 The supplier shall carry out all routine tests as stipulated in the relevant standards.
- 5.3 The jointing kits offered, shall be fully type tested at CPRI as per the relevant standards. The vendor shall furnish four sets of the type test reports along with the



Uttar Gujarat Vij Company Limited

CIN - U40102GJ2003SGC042906
(A subsidiary of Gujarat Urja Vikas Nigam Limited)

TENDER NOTICE No:- UGVCL/PROJECT/RDSS/ARVALLI/096

MQP for getting approval on material before placing purchase order to the manufacturer.

- 5.4 Type tests shall be carried out as per the test sequence given in I.S.:13573 or VDE-0278 at C.P.R.I. Laboratory as amended from time to time. The test report will have to be submitted for the test carried out.
- 5.5 Test details for Termination Kit should be as follow:

Joint Kit as per IS 13573	
1.	Conductor Resistance Test
2.	Impact Test
3.	AC High Voltage Test (Dry)
4.	Partial Discharge Test
5.	Impulse with stand test
6.	AC Voltage life test with cyclic current loading
7.	Partial Discharge Test
8.	AC Voltage life test with cyclic current loading
9.	Thermal Short circuit test
10.	AC Voltage life test with cyclic current loading
11.	Conductor Resistance Test
12.	Impulse with stand test
13.	D.C. High Voltage test

6. GTP

Sr. No.	Particulars	Unit	Guaranteed values.
1.	MANUFACTURER		
2.	APPLICABLE STANDARDS		As per IS:13573

TENDER NOTICE No:- UGVCL/PROJECT/RDSS/ARVALLI/096

3.	GUARANTEED PARTICULARS For the nominal (phase to phase) System voltages Maximum system voltage	KV	11KV 12KV
3.1	A.C. withstand voltage Dry (ph. /ground) Time duration	KV Mins	35KV 1Min.
	A.C. withstand voltage Wet(ph. /ground) Time duration	KV Mins	28KV 1Min.
3.2	PartialDischargeat2Uo	pC	<5pC
3.3	Impulswithstand,1.2/50/Us	kV	75KV
3.4	Load cycle Test a) Each Cycle-Heating Duration Temperature Cooling Duration a) Number of Cycles c)Continuous phase to ground Voltage Withstand	Hrs OC Hrs. kV	5 100 3 63 2.5Uo
	Water tightness test	KV	60Nos.at 2.5 Uo. as per above cycles.
3.5	Thermal Withstand Short circuit current 1Sec.	ka	As per IS:13573
3.6	Dynamic short circuit Withstand	Ka peak	2.55 x Is As per IS:13573
3.7	DC Voltage	kV	48kV for 30Mins
4	KIT PARTICULARS		
4.1	Material of the tubing/molded parts		Polyolefin.
4.2	Method of stress control		High permittivity Material.
4.3	Method of environmental seal		H.S. Black Insulating Tubes.
4.4	List of items included in the Kit a) For Terminations b) Allowable kit storage temperature c)Kit shelf life	Yes/No OC Years	Yes Normal Ambient Temperature More than 5 Years
5	Cable Termination Instruction Manuals	Yes/No	Yes

TECHNICAL SPECIFICATION FOR 11 KV MOTORISED RING MAIN UNIT OUTDOOR TYPE

TENDER NOTICE No:- UGVCL/PROJECT/RDSS/ARVALLI/096

1. Scope

- 1.1 This specification covers Design, Engineering, Manufacture, Assembly, testing, Inspection, packing of Motorized Ring Main Units with inbuilt FPI (Fully factory integrated & demonstrable at the time of inspection) with all accessories for trouble free and efficient performance and capable of being monitored.
- 1.2 The RMU to be supplied against this specification are required for vital installations where continuity of service is very important. The design, materials and manufacture of the equipment shall, therefore, be of the highest order to ensure continuous and trouble free service over the years.
- 1.3 The insulation/dielectric media inside the stainless steel welded tank (Grade SS304 - Non ferrite, Non Magnetic) should be SF6 gas. The RMU should be Modular, extensible type on single sides with provision of attaching/connecting with bus / cable connected site replaceable bushings for additional load break switches and circuit breakers in future whenever required. However, RMU left side is occupied by metering panel and right side is free for extension on vice versa is also possible depending on site condition. RMU shall be front access or access from sides. Bushings shall be replaceable.
- 1.4 Ring Main Units shall be SCADA compatible for future use.
- 1.5 Each new RMU shall be equipped with main-line load break switches and a fault passage indicator (FPI). Furthermore, to protect each of its lateral / transformer feeders, it shall be equipped with a corresponding set of circuit breakers and relay with self-power supply shall be provided for communication purpose. The RMU shall provision for include potential-free contacts and control contacts so as to connect to SCADA/DMS via FRTUs, so as to:
- Monitor and control the open/closed status of the RMU circuit breakers and load break switches.
 - Monitor the local/remote position of RMU motorized (in case if failure of motor) manually-operated switches that can be used to enable and disable remote monitoring.
 - Monitor the health of the power supply, which will include battery failure and low voltage indications.
 - Monitor the open/closed status of RMU earthing switches.
 - Monitor the open/closed status of RMU enclosure doors in case of Hinge doors.
 - Monitor for low SF6 gas pressure indication.
 - Monitor for circuit breaker relay operations.
 - Monitor for indication of main-circuit fault detected by the RMU's FPI.
- 1.6 The RMU offered shall be compact, maintenance free, easy to install reliable, safe and easy to operate and complete with all parts necessary for their effective and trouble-free operation. Such parts will be deemed to be within the scope of the supply irrespective of whether they are specifically indicated in the commercial order or not.
- 1.7 It is not the intent to specify herein complete details of design and construction. The offered equipment shall conform to the relevant standards and be of high quality, sturdy, robust and of good design and workmanship complete in all respects and capable to perform continuous and satisfactory operations in the actual service conditions at site and shall have sufficiently long life in service as per statutory requirements. In actual practice, notwithstanding any anomalies, discrepancies, omissions, in-completeness, etc. in these specifications, the design and constructional aspects, including materials and dimensions, will be subject to good engineering practice in conformity with the required quality of the product, and to such tolerances, allowances and requirements for clearances etc. as are necessary by virtue of various stipulations in that respect in the

TENDER NOTICE No:- UGVCL/PROJECT/RDSS/ARVALLI/096

relevant Indian Standards, IEC standards, I.E. Rules, I.E. Act and other statutory provisions.

- 1.8 It shall also encompass all necessary project management, data engineering, acceptance testing, training, documentation, warranty services as efficiently as possible with minimum interruptions of power to Employer / customers.
- 1.9 Tolerances on all the dimensions shall be in accordance with provisions made in the relevant Indian /IEC standards amended up-to date and in this specification. Otherwise the same will be governed by good engineering practice in conformity with required quality of the product.
- 1.10 Battery shall be sealed lead acid VRLA or DRY type and shall have minimum life of 5 years at 25° C.
- 1.11 The successful bidder shall give rigorous training with supplier of RMUs to the engineers and staff for 2 days in attending trouble shooting and maintenance.

2. Service Conditions:

Equipment to be supplied against this specification shall be suitable for satisfactory continuous operation under the following tropical conditions.

- a) Maximum ambient temperature of air: 50° C
- b) Maximum temperature of air in shade: 4° C
- c) Maximum daily average ambient temperature: 40° C
- d) Maximum yearly average ambient temperature: 30° C
- e) Relative Humidity: up to 95%
- f) Average number of thunder storm days per annum: 15
- g) Maximum annual Rainfall: 150cm
- h) Maximum Altitude above mean sea level: 1000Meter
- i) Maximum Wind Pressure: 150 Kg/cm² (As per IS 802 latest code)
- j) Maximum soil temperature at cable depth: 30° C
- k) Maximum soil thermal resistivity: 150° C cm/watt

3. TECHNICAL PARAMETERS:

Sr No	Description	11kV RMU
1	Application	Three phase - Three wire
2	Rated Voltage	12 kV
3	Service Voltage	11 kV
4	System Frequency	50 Hz
5	SF6 gas at a relative pressure	As per IEC 62271-200 & IEC 60694
6	Internal Arc test	20 kA for 1 Sec for tank
7	Lightning Impulse withstand Voltage	75 kV Peak
8	Power Frequency withstand voltage	28 kV rms
9	Rated current of Circuit-breaker	630A
10	Rated Short time current withstand	20 KA for 3 sec
11	Rated Short circuit making current	50 kA
12	Number of operations at rated short circuit current on line switches, earthing switches and CB	5 close for line & earth switches and 20 nos for 11 kV VCB.
13	Opening time of breaker (max.)	2.5 cycle



Uttar Gujarat Vij Company Limited

CIN - U40102GJ2003SGC042906
(A subsidiary of Gujarat Urja Vikas Nigam Limited)

TENDER NOTICE No:- UGVCL/PROJECT/RDSS/ARVALLI/096		
14	Closing time of breaker (max.)	3 cycle
15	Breaker Duty Cycle	0-3min-CO-3min-CO
16	Fault Clearing time	70 millisecond
17	Rated cable charging interrupting current of incomer- Load Break Switch	10A
18	Rated cable charging breaking current of breaker	25A
19	Insulating medium	SF6
20	Interrupting medium	Vacuum
21	Temperature Rise	Maximum permissible temperature rise as per table 3 of IEC 60694.

4. Applicable Standards:

The RMU Switchgear shall comply with the requirements stated in the following standards and specifications amended up to date:

Standard	Description
IEC 60529	Classification of degrees of protection provided by enclosures of electrical equipment
IEC 62271-200: 2003	A.C metal-enclosed switchgear and control gear for rated voltages above 1KV and up to and including 72KV
IEC 1330	High voltage/Low voltage prefabricated substations
IEC 62271-1:2007	Common specification for HV switchgear standards
IEC 60265	High-voltage switches-Part 1: Switches for rated voltages above 1kV and less than 52kV
IEC 60801	Monitoring and control
IEC 60185	Current Transformers
IEC 60186	Voltage transformers
BS 159	Busbar
IEC 60137	Bushings
BS 7430	Earthing
IEC 60255	Specification for Static Protective Relays
BS 6231	Wires and wiring
IEC 61000	Electromagnetic compatibility
IEC 60129	Alternating current Disconnecter (isolators) and earthing switches
IEC 62271-200	Metal enclosed BS 5311 switchgear
IEC 62271-100	MV AC circuit breaker
IEC 60060-1 / BS 923	High Voltage test technique
IEC 60947-4-1	Control Gears
IEC 60623	Open Ni-Cd prismatic rechargeable cell
IEC 60376	Filling of SF6 gas in RMU

Additional Technical Specification for TENDER NOTICE No:- UGVCL/PROJECT/RDSS/ARVALLI/096

Signature of Tenderer
Place:

Company's Round Seal
Signature of Tenderer

Page 28 of 176
Date:

TENDER NOTICE No:- UGVCL/PROJECT/RDSS/ARVALLI/096

5. General Technical Requirement:

5.1 Configuration:

- 2-Way (CV):11KV Gas (SF6) Insulated RMU with One 630A load break switches and One 630A SF6 Insulated VCB
- 3-Way (CCC), 11KV Gas (SF6) Insulated RMU with 3 Nos 630A load break switch
- 3-Way (CVV), 11KV ,Gas (SF6) Insulated RMU with 1 Nos 630A load break switch and 2 Nos. 630 A SF6 Insulated VCB
- 3-Way (CCV), 11KV, Gas (SF6) Insulated RMU with 2 Nos 630A load break switch and 1No. 630 A SF6 Insulated VCB
- 4-Way (CCVV), 11 KV Gas (SF6) Insulated RMU with 2 Nos 630A Load break switches and 2 Nos, 630 A SF6 Insulated VCB
- 4-Way (CCCV), 22 KV Gas (SF6) Insulated RMU with 3 Nos 630A Load break switches and 1 Nos, 630 A SF6 Insulated VCB
- 4-Way (CCCC), 22 KV Gas (SF6) Insulated RMU with 4 Nos 630A Load break switches
- 5-Way (CCCVV), 11KV , Gas (SF6) Insulated RMU with 3 Nos 630A load break switch and 2 Nos. 630 A SF6 Insulated VCB
- 6-Way (CCCVV+V), 11KV Gas (SF6) Insulated RMU with 3 Nos 630A Load break switches and 3 Nos 630 A SF6 Insulated VCB

5.2 RMU Design Features:

The RMU are to be designed, manufactured, factory integrated with fault passage indicator, tested and delivered at site. The RMU shall be locally monitorable and/or operable for/to:

- The open/close the status of the RMU circuit breakers and load break switches.
- The health of the power supply, which will include battery failure and low voltage indications.
- The open/closed status of RMU earthing switches.
- For low SF6 gas pressure indication.
- For circuit breaker relay operations.
- For indication of main-circuit fault detected by the RMU's FPI.

5.3 Outdoor Enclosure Features:

The RMUs shall be designed specifically for outdoor installation with ingress protection degree of IP54. They shall also be suitable for conditions in which they will be exposed to heavy industrial pollution, and high levels of airborne dust.

The outer enclosure shall be made of CRCA, 2 mm thick with thick glands plates of 3 mm. The sheet steel and the fabricated parts shall be pretreated using 7 tank process and then coated by layer of zinc phosphate. A finish coat with high scratch resistance epoxy powder finish paint shall be applied over the primer. The coat thickness shall be minimum 100 microns +/- 25 micron.

The equipment in the proposed outdoor RMU shall be coated to meet these climatic conditions. In this respect, standards such as IEC 60870-2-2 covering equipment, systems, operating conditions, and environmental conditions shall apply along with IEC60721, which covers the classification of such conditions. All live parts, high voltage components, excluding the HV cable termination of the switchgear shall be insulated/ protected in SF6 to provide complete proofing against dangers of flashover between phase and earth and between phases. In particular, the equipment shall be climate free in that no high voltage connection will be exposed to the environment.

TENDER NOTICE No:- UGVCL/PROJECT/RDSS/ARVALLI/096

The complete RMU unit shall be powder coating of RAL 7032 Grey to DIN Standard43656.

5.4 Indoor Enclosure Features:

The tank shall be corrosion resistant stainless steel sheet (Grade SS 304 - Non ferrite, Non Magnetic) of minimum 2.5 mm (as per relevant IS/ IEC) thickness with internal Arc Type tested and meet the 'sealed pressure system' criteria in accordance with the IEC 62271-200. This is a system for which no handling/ refilling of gas shall be required throughout the expected operating life, i.e. 30 years. Sealed pressure systems are completely assembled, filled and tested in the factory. The maximum leakage rate of SF6 gas shall be lower than 0.1% of the total initial mass of SF6 gas per annum. The filling pressure for the switchgear shall be just above the atmospheric pressure so as to reduce the tendency to leak. SF6 gas used for the filling of the RMU shall be in accordance with IEC376. It is preferable to fit an absorption material in the tank to absorb the moisture from the SF6 gas and to regenerate the SF6 gas following arc interruption. There shall be no requirement to 'top up' the SF6 gas. The degree of protection for RMU tank, high voltage live parts, SF6 and VCB shall be IP 67. The Front cover mechanism and cable cover shall have IP2X degree of protection.

After the calculation of rate of leakage of SF6 gas pressure, minimum SF6 gas inside the tank should be for 30years of life cycle.

- 5.5 The RMU shall be suitable for mounting on plinth and mounted on structure with provision for cabling through gland plate in the base and trench below. The RMU shall be designed so that the position of the different devices is visible to the operator on the front and operations are also visible. The RMU shall be identified by an appropriately sized label which clearly indicates the functional units and their electrical characteristics. The RMU shall be designed to be tamper proof so as to prevent access to all live parts during operation without the use of tools.
- 5.6 The RMU shall be completed with all connection and copper bus bar within SF6 enclosure bus bar for air exposed parts with continuous current carrying capacity of 630A as per relevant IEC/IS. The bus bar shall be fully encapsulated by SF6 gas inside the steel tank. There shall be continuity between the metallic parts of the RMU and cables so that there is no electric field pattern in the surrounding air, thereby ensuring the safety of people. The earth bus bar shall be preferably enclosed in an enclosure to prevent theft/tampering.
- 5.7 All parts of main circuit to which access is required or provided shall be capable of being earthed prior to becoming accessible. This does not apply to removable parts which become accessible after being separated from the switchgear and control gear. The cables shall be earthed by an earth switch with short circuit making capacity in compliance with IEC 62271-102. The interlocking between circuit breaker and earth switch shall be provided in such a manner to avoid accidental earthing of live bus bar. The earth switch shall be fitted with its own operating mechanism and manual closing shall be driven by a fast-acting mechanism, independent of operator action. Mechanical interlocking systems shall prevent access to the operating shaft to avoid all operator errors such as closing the earth switch when cable is charged.
- 5.8 Clear empty space shall be mandatory provided in RMU panel for mounting FRTU Panel. Dimension details of required space for FRTU are about 900 mm H X 600 mm W X 300 mm D.
- 5.9 RMU itself will supply 230 V AC 200 VA for FRTU. Each RMU Shall Include its own power supply unit including (auxiliary power transformer, maintenance free batteries, and battery charger) which shall provide a stable power source for the RMU. The RMU shall

TENDER NOTICE No:- UGVCL/PROJECT/RDSS/ARVALLI/096

be supplied with battery charger for charging of 24V DC, 48 AH battery set for FRTU and for charging battery for motorized operation of RMU.

Separate auxiliary transformer for charging of battery to feed the auxiliary load of RMU and FRTU and its circuit shall be provided with 500 VA burden.

- Monitor the health of the power supply, which will include battery failure and low voltage indications.
- Battery and battery charger, to provide stable as per motor rating, 24 V DC, power for the RMU's Motor.
- The batteries shall have minimum life of Five (5) Years.
- The 24 V DC Batteries shall have sufficient capacity to supply power to the following devices with a normal backup of 4 hours.
 - (1) RMU's motors for a minimum of five (5) operations
 - (2) RMU's trip coil, close coil, FPI
- To Prevent deep discharge of the batteries on loss of AC power source, the battery charger shall automatically disconnect all circuitry fed by the batteries following a user-adjustable time period or when the battery voltage falls below a preset value. If the battery voltage falls below the pre set value, the time to fully recharge all batteries shall not exceed twenty-four (24) hours.
- An automatic battery checking device shall be provided to check the battery's health and initiate a battery-failed alarm signal in case battery deterioration is detected. Such detection may be based on comparing measurement value with set values (e.g, internal resistance, voltage, etc.)
- The battery charger shall be fully temperature compensated. The battery charger shall be provided with an alarm displayed at the local control panel and remotely at the DAS to account for any of the following conditions.
 - (1) Low battery voltage
 - (2) High battery voltage
 - (3) Battery failed
 - (4) Battery charger overvoltage
 - (5) Grounded battery / battery -charger
 - (6) Others according to manufacturer's design.

5.10 Interconnecting cables, wiring, connectors and terminal blocks:

The interconnecting wires, cables, connectors, terminations and other wiring accessories such as terminal blocks shall be in the scope of the manufacturer. Plug-type/screw type connectors shall be used for all interconnections. Suitable Disconnecter type terminal blocks shall be provided for CT circuits. In using a terminal block, no more than two cables or wires shall be connected to any of its individual terminals. Self-extinguishing fireproof vinyl marking strips shall be used to identify all external connection blocks. Marking tags shall be read horizontally. All terminals to which battery or other high voltages are connected shall be provided with fireproof covers. All individual status input, AC voltage input, and control output points shall be isolatable without the need to remove wiring by means of individual terminal blocks of the removable link type. In order to avoid open circuits on the secondary side of CTs, termination blocks with by-pass bridges shall be provided for all AC current inputs

- 5.11 Suitable fool-proof interlocks shall be provided to the earthing switches to prevent inadvertent or accidental closing when the circuit is live and the concerned Circuit Breaker/Isolator is in its "closed" position.

TENDER NOTICE No:- UGVCL/PROJECT/RDSS/ARVALLI/096

The unit shall be internal arc proof and tested and totally safe for human beings. The release of gas to be from the bottom of the unit, so that, even if the person is operating the unit, opening the cover, the release will be at the bottom. The release in no case should be from any side or top of the unit, as the same is unsafe for the operating personnel/pedestrian or general public. All manual operations shall be carried out on the front of the RMU.

5.12 Isolators/Load Break Switch:

The RMUs shall be equipped with 630Amp fault making/load breaking spring assisted ring switches, each with integral fault making earth switches. The switch shall be naturally interlocked to prevent the main and earth switch being switched "ON" at the same time. The selection of the main and earth switch is made by a lever on the front which is allowed to move only if the main or earth switch is in "OFF" position. The Ring switches shall be capable for local manual operation. The load break switch and earthing switch operating mechanism shall have mechanical endurance of at least 1000 operations.

Each INCOMING load break switch will have the following

1. Motor operated 630A Load Break switch and manually operated Earthing Switch with making capacity
2. Cable switch 11 kV, 630 A, 20 kA.
2. Mechanism for manual operation with integrated earthing switch
3. Cable bushing 630 A, standard C bushings.
4. Capacitive voltage indication fixed type- LED display.
5. Fault passage indicator with LED display and reset facility
6. Operation counters for each load break switch
7. ON,OFF, EARTH indication on the front mimic of the panel.
8. Cable box for termination of XLPE cable up to 3CX 400 sq. mm.
9. Cable entry bottom.
10. 2NO + 2 NC contacts for load break switch
11. 1NO+1NC contact for Earth switch
12. Local remote control switch for each load break switch
13. Set of Right Angled Cable Boots.

5.13 Vacuum Circuit Breakers

The motorized circuit breakers shall be maintenance free and the position of the power and earthing contacts shall be clearly visible on the front of the RMU through mimic. The position indicator shall provide positive contact indication in accordance with IS 9920. In addition, the manufacturer shall prove the reliability of indication in accordance with IS 9921.

The circuit breakers shall have 2 positions (open / closed) along with earthing switch and shall be constructed in such a way that natural interlocks prevent all unauthorized operations. They shall be fully assembled, tested and inspected in the factory. Breaker operation counter should be provided. An operating mechanism shall be used to manually close the circuit breaker and charge the mechanism in a single movement in manual mode or electrically motor operated. In manual mode the operating mechanism of breaker shall be such that spring charging shall be through the handle and on/ off operation through push button. It shall be fitted with a local

TENDER NOTICE No:- UGVCL/PROJECT/RDSS/ARVALLI/096

system for manual tripping by an integrated push button. There shall be no automatic re-closing. The circuit breaker shall be capable of closing fully and latching against the rated making current. Mechanical indication of the open, closed and earthed positions of the circuit breaker shall be provided.

The circuit breaker shall be associated with an integrated protection unit that will operate without any auxiliary power supply and shall include three toroid current transformers incorporated in the cable chamber as per manufacturer standard type test design. An electronic self-powered relay, a low energy release, and a "fast-on" test receptacle for protection testing (with or without CB tripping). The protection system shall ensure circuit breaker tripping as of a minimum operating current which is the rated current of the underground network to be protected. The CT settings shall be adjustable between 600 to 300/1Amp for feeder and 100-50/1A for distribution transformer, as per the requirement at site. Protection core CT complete details should be furnished (Burden, class, ALF).

In case cables are to be tested with front door open, doors shall have interlocks such that doors can be opened only with earth switch in closed position & a cable test rod shall be provided which can be fixed on the terminations to facilitate testing. Termination boots as approved by the Purchaser's should have a proper opening to facilitate the testing. The opening shall be covered by means of removable protection cap.

In case of front door opened, it shall not be possible to operate the breaker. All panel covers shall be provided with anti-vandal screw bolts so that opening of panel covers is only possible with special tools, which shall be provided by the Bidder. This is required to prevent pilferage. The cable cover door shall be pad lockable and shall be Tamper and Arc proof. Double door arrangement for Outdoor breakers to be provided for additional safety. There shall be provision of hinged doors or bolted type door as per manufacturer standards type tested design. The circuit breaker and earth switch shall be lockable in the open or closed positions by 1 to 3 padlocks. Circuit Breaker shall have mechanical endurance of at least 2000 operations

Each OUTGOING Circuit Breaker will have the following

1. Motor operated 630A SF6 insulated Vacuum circuit breaker and Earthling Switch with making capacity
2. Mechanism for manual operation.
3. Self-Powered protection relay providing over-current & earth fault protection.
4. Ring core current transformers for protection depending upon the transformer ratings 2.5VA, 5P10 for protection
5. Operation counters
6. 4NO+4NC Auxiliary contacts for breaker
7. 2NO+2NC Auxiliary contact for Disconnecter
8. 1No+1NC contact for Earth switch
9. Local remote control switch for each breaker
10. Capacitive voltage indication fixed type
11. ON, OFF, Earth indication on mimic and trip indication on relay.
12. Cable box for termination of XLPE cable up to 3RX1CX300 sq. mm.
13. Emergency Trip Push Button.
14. Set of Cable boots.

5.14 Busbars

The three nos of continuous busbars made up of copper within SF6 enclosure bus bar for air exposed parts of rating current 630 A shall be provided. The short time current withstand rating shall be 20 kA for 3 second.

5.15 Current Transformers and potential transformers

3 nos ring type, single core CTs shall be provided in each circuit breaker for protection purpose. The CTs shall conform to IS 2705. The design and construction shall be sufficiently robust to withstand thermal and dynamic stresses during short circuits. Secondary terminals of CTs shall be brought out suitably to a terminal block, which will be easily accessible for testing and terminal connections. The protection CTs shall be Epoxy resin cast with burden 5 VA for feeder and 2.5 VA for transformer and Accuracy class 5P10.

The RMU's other CTs/sensors, i.e., those used by Fault Passage Indicators (FPIs), shall be supplied by the FPI manufacturer. These CTs/sensors shall be an integral part of the FPI's design to ensure that they properly match the requirements of the FPI.

Appropriate capacity CTs and PTs shall be provided in the RMU for the metering purpose. The meter shall not be in the scope of supplier but the provision and space for installation of the same in future shall be available in the separate enclosure for housing the Battery/ Charger etc.

RMUs having configuration of 4 Isolators (4-Way), metering CT and PT is not required.

5.16 Protection Relays

The relay shall be provided with Phase protection of Definite time/ IDMT element for over current and earth fault with minimum PSM-0.05, Tsm-0.01 having standard characteristics of Standard Inverse, Very inverse, Extremely Inverse as per IEC 60255-3 standard. The Earth Fault Protection shall be provided of Definite time/ IDMT element having standard characteristics of Standard Inverse, Very inverse, Extremely Inverse as per IEC 60255-3 standard. The "Time Multiplier" with minimum set point of 0.05 TMS shall be available. The breaker shall have the provision of LED indication of Trip on Fault High set (DT) for over current and earth fault-min current setting-0.5 In, minimum Time Delay - 20 milliseconds. The relays shall be suitable numerical relay with necessary elements as per the Purchaser's approval.

On this basis, the relay as a minimum shall provide:

- a) Phase over Current Protection: (50/51)
- b) Earth Fault Protection: (50N/51N)

Features and characteristics:

The numerical relay shall have the following minimal features and characteristics noting that variations may be acceptable as long as they provide similar or better functionality and/or flexibility:

- a) It shall be housed in a flush mounting case and self powered.
- b) It shall have 3- phase over-current elements and one earth fault element.
- c) IDMT trip current settings shall be 20-200% in steps of 1% for phase over- current and 10-80% in steps of 1% for earth fault.

TENDER NOTICE No:- UGVCL/PROJECT/RDSS/ARVALLI/096

d) Instantaneous trip current settings shall be 100-3000% in steps of 100% for phase over-current and 100- 1200% in steps of 100% for earth fault.

e) Selectable IDMT curves shall be provided to include, for example, Normal Inverse, Very Inverse, Extreme Inverse, Long Time Inverse, and Definite Time. Separate curve settings for phase over-current and earth fault shall be supported.

f) For IDMT delay multiplication, the Time Multiplier Setting (TMS) shall be adjustable from 0.01 to 0.1 in 0.01 steps.

The relay shall also be provided with:

- Alphanumeric Liquid Crystal Display (LCD)
- Parameter change capability that is password protected
- Capability to record up to 5 of the latest fault records duly time stamped and stored in non-volatile memory for subsequent reading via the above referenced RS485/RS 232 port

5.17 Bushings and cable terminations:

Each cable compartment shall, be provided with three bushings of adequate sizes to terminate the incoming and outgoing cables along with a terminal block (TB) located at convenient accessible location so as to wire all inputs & outputs (IOs) up to the terminal block (TB). The bushings shall be conveniently located for proper bend so as to allow easy working and termination of cables. The cable termination shall be done with Heat shrinkable /Push ON termination method so that adequate clearances are maintained between phases & cable shall be held by HDPE (fire retardant) cleat. The clearance between phase to phase and phase to earth shall be as per IEC 61243- 5 amended up to dates. 1 run of up to 3CX400 Sq. mm shall be used for cable termination. All the cable secondary wiring should be routed through marshaling box separately for relay, CT etc. Bimetallic washer for tightening of cable to be provided. RMU bushing shall be female or bus-bar type for cable termination and provision for onsite replacement of bushing should be available.

5.18 Earthing

The RMU outdoor metal enclosed shall be equipped with an earth bus securely fixed along the base of the RMU. Earthing shall be carried out as per attached drawing for maintenance free earthing. The earth bus bar shall be of GI strip (50sqmmX6) or copper strip (inside the RMU) having equivalent current rating and short circuit rating as per IEC/IS. Provision shall be made on end of RMU for connecting the earth bus to the earth grid by erecting suitable 2 earth pipes of 50mm dia. M.S. rod of 3 meter in Pits. Both the earth pipes are also to be connected in a grid formation.

5.19 Voltage indicator lamps and phase comparators

Each function shall be equipped with a fixed type voltage indicator box on the front to indicate whether or not there is voltage in the cables. The capacitive dividers will supply low voltage power to the lamps. Three inlets can be used to check the synchronization of phases. These devices shall be in compliance with IEC 61958 standard. Voltage indicator lamp shall be operating individually per phase. VDI shall be visible from outside without opening the doors.

5.20 Front cover

The front cover shall provide a clear mimic diagram that indicates the different functions. The position indicators shall give a true reflection of the position of the

TENDER NOTICE No:- UGVCL/PROJECT/RDSS/ARVALLI/096

main contacts. They shall be clearly visible to the operator. The lever operating direction shall be clearly indicated in the mimic diagram. The bidder shall provide a marking plate showing RMU's main electrical characteristics.

5.21 Fault Passage Indicator

Fault Passage Indicators shall be installed on the Ring Main Unit. This shall facilitate quick detection of faulty cable. The FPI shall be in integral part of one isolator and shall be capable of displaying fault. The fault indication may be on the basis of monitoring fault current through the device. These devices shall be electronic devices with their own energy source and connected to Single 3 phase Split Core CTs (CBCT). These shall be provided with bright LEDs / flag Indicators, which shall be clearly visible in the day time. These shall have the following resetting facilities:

- Manual reset
- Resetting after a set time duration
- Electrically reset from remote with at least 2-spare potential free contacts.
- Resetting on restoration of LV

The unit shall have Short Circuit and Earth fault adjustable to different settings with separate Current transformer. They shall be fully field-programmable and shall have o/c setting 200-1000 A and E/F setting 10-150 A. To restrain operation of fault passage indicators due to inrush / switching current, settings of time delay of 1s-5s shall be available. It shall be possible to Test these indicators at site thru "Test" push button.

The conventional practice is to have (N-1) FPI where N is nos. of LBS in a particular configuration of RMU. FPI shall be visible from outside without opening the doors.

5.22 Paint

All paint shall be applied on dean dry surfaces under suitable atmospheric conditions by seven tank process and powder coating. The overall paint thickness shall not be less than 100 microns ± 25 micron as standard. The paint shall not scale off or crinkle or be removed by abrasion during normal handling. The enclosure of the RMU shall be painted with shade Dark Gray i.e. RAL 7032. Sufficient quantity oftouch-up paint shall be furnished for application at site. Paint shall be capable to withstand in saline conditions. Paint shall be capable to withstand in saline conditions.

5.23 Name Plate &Marking

All the components and operating devices of the RMU shall be provided with durable and legible nameplates containing all technical parameters. Name plates shall be suitably embossed with the following information. A Danger plate of appropriate size shall also be provided on the enclosure.

- Manufacturer's Name
- Month and year of supply
- PO Number
- Rated Voltage
- System Frequency
- RMU Configuration
- Rated Short Time Withstand current for 3 sec
- Rated Impulse withstand Voltage
- Degree of Protection
- Type Designation or Serialno.

TENDER NOTICE No:- UGVCL/PROJECT/RDSS/ARVALLI/096

- Year of manufacture
- Applicable Rated values
- Mass of unit
- SF6 gas filling pressure

6. Testing & Inspection

6.1 General:

The specified RMUs shall be subject to type tests, routine tests, and acceptance tests. Where applicable, these tests shall be carried out as per the standards stated in the specification. The type test produced by supplier shall be only from reputed NABL accredited / international / national government approved testing laboratories such as CPRI from India and KEMA, Volta, KERI, CESI, ERDA etc. from remaining part of the globe. Report from any other testing lab mentioned above shall not be accepted. In such a case manufacture has to perform the repeat type test for the RMU from these labs at his own cost. The type test report shall have been conducted during the period not exceeding five (5) years from the date of opening of the bid. In the event of any discrepancy in the test reports i.e. any test report not acceptable or any/ all type tests (including additional type tests, if any) not carried out, same shall be carried out without any cost implication.

Prior to acceptance testing, the supplier shall prepare and submit a detailed Manufacturing Quality Plan (MQP) and routine/ inspection test plan for review and approval.

Successful bidder has to get approval of drawings. The supplier shall have to offer proto inspection for RMU. The supplier shall have in house testing facility for carrying out proto inspection, lot inspection by the utility at works of supplier. All the equipment used must be up to date and calibrated by reputed agency.

6.2 Type tests:

Following shall constitute the type tests: -

- a) Short time current withstand test and peak current withstand test.
- b) Lightning Impulse voltage with-stand test
- c) Temperature rise test.
- d) Short Circuit current making and breaking tests.
- e) Power frequency voltage withstand test (dry).
- f) Capacitive current switching test confirming to IEC.
- g) Mechanical operation test.
- h) Measurement of the resistance of the main circuit.
- i) Checking of degree of protection of main tank and outer enclosure
- j) Switch, circuit breaker, earthing switch making capacity.
- k) Switch, circuit breaker breaking capacity.
- l) Internal arc withstands.
- m) Checking of partial discharge on complete unit.

IN ADDITION, FOR SWITCHES, TEST REPORTS ON RATED BREAKING AND MAKING CAPACITY SHALL BE SUPPLIED.

FOR EARTHING SWITCHES, TEST REPORTS ON MAKING CAPACITY, SHORT-TIME WITHSTAND CURRENT AND PEAK SHORT-CIRCUIT CURRENT SHALL BE SUPPLIED.

6.3 Routine tests:

TENDER NOTICE No:- UGVCL/PROJECT/RDSS/ARVALLI/096

The following routine tests shall be conducted by the manufacturer and the same shall be backed by the factory's quality control department test reports.

- a) Conformity with drawings and diagrams,
- b) Measurement of closing and opening speeds,
- c) Measurement of operating torque,
- d) Checking of filling pressure,
- e) Checking of gas-tightness,
- f) Dielectric testing and main circuit resistance measurement.
- g) Power frequency voltage
- h) Resistance test for the circuit
- i) Mechanical operation tests.

BIDDERS SHALL CONFIRM THE FOLLOWING ROUTINE TESTS ON EACH RMU SUPPLIED.

- a) Micro ohm test (contact Resistance test) for the assembly inside the tank
- b) Circuit breaker analyzer test so as to ensure the simultaneous closing of all Poles for VCB.
- c) SF₆ gas leak test
- d) Partial Discharge test on the complete gas tank so as to be assure of the proper insulation level and high service life.
- e) High voltage withstand.
- f) Secondary test to ensure the proper functioning of the live line indicators, fault passage indicators and relays.

6.4 Acceptance tests:

All the tests specified under Routine Test Clause above shall be carried out as acceptance test on random samples as per sampling plan under IEC/15 for each lot.

6.5 DOCUMENTATION and DRAWINGS

All drawings shall conform to relevant International Standards Organization (ISO) Specification. All drawings shall be in ink and suitable for microfilming.

The tenderer shall submit along with his tender dimensional general arrangement drawings of the equipment's, illustrative and descriptive literature in triplicate for various items in the RMUs which are all essentially required for future automation.

- I. Schematic diagram of the RMU panel
- II. Instruction manuals
- III. Catalogues of spares recommended with drawing to indicate each items of spares
- IV. List of spares and special tools recommended by the supplier.
- V. Copies of Type Test Certificates as per latest IS/IEC.
- VI. Drawings of equipment's, relays, control wiring circuit, etc.
- VII. Foundation drawings of RMU so that Utility will planned and carry out civil works etc.
- VIII. Dimensional drawings of each material used for item VII.
- IX. Actual single line diagram of RMU/RMUs with or without Extra combinations shall be made displayed on the front portion of the RMU so as to carry out the operations easily.

The following should be supplied to each consignee circle/town along with the initial supply of the equipment's ordered.

TENDER NOTICE No:- UGVCL/PROJECT/RDSS/ARVALLI/096

Copies of printed and bound volumes of operation, maintenance and erection manuals in English along with the copies of approved drawings and type test reports etc.

Sets of the manuals as above shall be supplied to the Chief Engineer/Distribution. A soft copy of the all Technical and Drawing furnished in a CD.

7. GTP:

Sr. No.	Description	UGVCL Requirement
1.0	SWITCHGEAR ASSEMBLY	
1.1	Make	
1.2	Type	Outdoor, 2/3/4/5/6 WAY
1.3	Reference Standard	IEC 56, IEC 129, IEC298, IEC694, IEC 265
1.4	Voltage (Normal/Max.) kV	11kV/12 kV
1.5	Phase (Nos.)	3 nos
1.6	Frequency (HZ)	50 \pm 3 Hz
1.7	Short Circuit Rating for 3 Sec. (KA)	20 kA
1.8	Insulation Level	
	a) Impulse withstand (KV peak)	75 kVp
	b) 1 Minute 50 Hz. Voltage withstand (KV rms)	28 kV
1.9	Metal Clad Construction	Yes



Uttar Gujarat Vij Company Limited

CIN - U40102GJ2003SGC042906
(A subsidiary of Gujarat Urja Vikas Nigam Limited)

TENDER NOTICE No:- UGVCL/PROJECT/RDSS/ARVALLI/096

1.10) Degree of protection for outer enclosure:) Degree of protection for main tank:	IP 54 IP 67
1.11	Switchgear completely wire and tested at factory (yes/No)	Yes
2.0	CONSTRUCTION	
2.1	Overall Dimensions	
A	Extensible 2/3/4/5/6 Way RMU	
	i) Width (W) (mm)	To be filled by Bidders
	ii) Depth (D) (mm)	
	iii) Height (mm)	
2.2	Overall Weight of Extensible 2/3/4/5/6 Way RMU	To be filled by Bidders
3.0	Bus bar	
3.1	Make	
3.2	Material & Grade	Copper
3.3	Reference Standard	IEC 129
3.4	a) Cross sectional area (mm ²)	To be filled by Bidders
3.5	Continuous Current	
	a) Standard	630 A
	b) At site conditions and within cubicle	630A
3.6	Maximum temperature rise over ambient (c)	55 Deg.C (above ambient of 50 Deg.C)
3.7	Minimum clearance from bare bus bar Connection	To be filled by Bidder
	a) Phase to phase (mm)	
	b) Phase to Earth (mm)	
3.9	Bus Bar provided with	
	a) Insulation Sleeve	Yes
	b) Phase barriers	Yes
	c) Cast Resin shrouds for joints	Yes
3.10	Bus bar connection	
	a) Silver Plated	Yes
	b) Made with anti-oxide grease	Yes
3.11	Bus Bar support spacing (mm)	To be filled by Bidder
3.12	Bus support insulators	
	a) Make	
	b) Type	
	c) Reference Standard	
	d) Voltage Class (KV)	

Additional Technical Specification for TENDER NOTICE No:- UGVCL/PROJECT/RDSS/ARVALLI/096

Signature of Tenderer
Place:

Company's Round Seal
Signature of Tenderer

Page 40 of 176
Date:



Uttar Gujarat Vij Company Limited

CIN - U40102GJ2003SGC042906
(A subsidiary of Gujarat Urja Vikas Nigam Limited)

TENDER NOTICE No:- UGVCL/PROJECT/RDSS/ARVALLI/096

	e) Minimum creep age distance (mm)	
	f) Cantilever strength Kg/mm ²	
	g) Net Weight (Kg)	
3.13	SF6 gas pressure (filing pressure at 20 deg. C)	1.2 Bar
4.0	SF6/VCB CIRCUIT BREAKER	
4.1	Make	
4.2	Type (Vacuum/ SF6)	Vacuum
4.3	Reference Standard	IEC 62271 - 1/ IEC 60694
4.4	Rated Voltage	11 kV
4.5	Rated Frequency	50 Hz
4.6	No. of Poles	3
4.7	Rated Current	
	a) Normal (Standard) Amps	630 A
	b) Rated (Site) Amps	630 A
4.8	Maximum temperatures rise over ambient. (deg. C)	55 Deg.C (above ambient of 50 Deg.C)
4.9	Rated operating Duty	O- 3min- CO-3min-CO
4.11	Breaking Capacity at rated voltage & operating duty	20
4.12	Rated making current (KA peak)	52.5
	b) Short time current for 3 Sec. (KA rms)	20
4.14	Transient Recovery Voltage	
	a) Rate of rise (KV/ms)	0.34 KV/micro sec (as per IEC)
	b) Peak Voltage (KV)	23 (35 % DC component)
4.15	Insulation Level	
	a) Impulse Voltage with stand on 1/50 full wave	75
	b) 1 minute 50Hz voltage withstand	28
4.17	Opening time Maximum, No load condition (ms)	40-60
4.18	Opening and closing time under SF6 gas loss or vacuum loss condition (ms)	40-60
4.19	At 100% Breaking capacity	
	a) Opening time - max (ms)	40-60
	b) Arcing time - max (ms)	6-9
	c) Total break time (ms)	40-60
4.20	At 60% Breaking capacity	

Additional Technical Specification for TENDER NOTICE No:- UGVCL/PROJECT/RDSS/ARVALLI/096

Signature of Tenderer
Place:

Company's Round Seal
Signature of Tenderer

Page 41 of 176
Date:



Uttar Gujarat Vij Company Limited

CIN - U40102GJ2003SGC042906
(A subsidiary of Gujarat Urja Vikas Nigam Limited)

TENDER NOTICE No:- UGVCL/PROJECT/RDSS/ARVALLI/096

	a) Opening time - max (ms)	40-60
	b) Arcing time - max (ms)	6-9
	c) Total break time (ms)	40-60
4.21	At 30% Breaking capacity	
	a) Opening time - max (ms)	40-60
	b) Arcing time - max (ms)	6-9
	c) Total break time (ms)	40-60
4.22	At 10% Breaking capacity	
	a) Opening time - max (ms)	40-60
	b) Arcing time - max (ms)	6-9
	c) Total break time (ms)	40-60
4.23	Number of breaks per pole	Single
4.24	No of breaker operations permissible without requiring inspection replacement of contacts and other main parts.	
	a) At 100% rated current	2000 & 40 Nos at 20 kA
4.25	Type of contacts	
	a) Main	Copper chromium, Butt type
	b) Arcing	Copper chromium
4.26	Material of contacts	
	a) Main	Copper chromium
	b) Arching	
	c) Whether contacts silver plated	NA
	d) Thickness of silver plating	NA
4.27	Operating mechanism- closing	
	a) Type	STORED ENERGY
	b) No of breaker operations stored	One Tripp free
	C) Trip free or fixed trip	NA (Anti reflex on Earthing)
	d) Anti pumping features provided	
	e) Earthing for operating mechanism and metal parts furnished	
	f) Earth terminal size and material	
4.28	Operating mechanism- tripping	
	a) Type	To be filled by bidder
	b) No of breaker operations stored	
	c) Trip free or fixed trip (V)	
	d) Anti pumping features provided (%)	

Additional Technical Specification for TENDER NOTICE No:- UGVCL/PROJECT/RDSS/ARVALLI/096

Signature of Tenderer
Place:

Company's Round Seal
Signature of Tenderer

Page 42 of 176
Date:



Uttar Gujarat Vij Company Limited

CIN - U40102GJ2003SGC042906
(A subsidiary of Gujarat Urja Vikas Nigam Limited)

TENDER NOTICE No:- UGVCL/PROJECT/RDSS/ARVALLI/096

	e) Earthing for operating mechanism and metal parts furnished	
	f) Earth terminal size and material	
4.29	Spring charging mechanism	
	2) Make	To be filled by bidder
	3) Type	
	4) Size	
	5) Rating	
4.30	Breaker suitable for capacity switching 4 operating duty 5Max.rating of capacitor bank that can be safely controlled	Yes
4.31	Tripping coil	
	a) Voltage	
	b) Permissible voltage variation (%)	
	c) Tripping current at rated voltage (A)	
	d) Power at rated voltage (W)	
	e) 2-Over current trip with TLF (5A) and 1-earth fault furnished as specified	
4.32	Breaker /Accessories such as control switch indication Lamps etc. furnished as specified :(please attach separate sheet giving details of all accessories, inter locks and safety shutters)	
	a) Mechanical safety Interlock	Yes
	b) Automatic Safety Interlock	No
	C) Operational Interlock	Yes
	d) Emergency manual trip	Yes
	e) Operation counter	Yes
	f) Charge /discharge indicator	Yes
	g) Manual spring charging facility	Yes
4.33	Impact load foundation design (to include dead load plus impact value On opening at maximum interrupting rating) (KG)	
5.0	Isolators/Load Break Switch	
5.1	Make	
5.2	Type	
5.3	Reference standard	IEC129
5.4	Rated voltage (KV)	12

Additional Technical Specification for TENDER NOTICE No:- UGVCL/PROJECT/RDSS/ARVALLI/096

Signature of Tenderer
Place:

Company's Round Seal
Signature of Tenderer

Page 43 of 176
Date:



Uttar Gujarat Vij Company Limited

CIN - U40102GJ2003SGC042906
(A subsidiary of Gujarat Urja Vikas Nigam Limited)

TENDER NOTICE No:- UGVCL/PROJECT/RDSS/ARVALLI/096

5.5	Rated Frequency HZ	50
5.6	No. Of poles (No)	3
5.7	Rated current	
) Normal (Standard) Amps	630
	j) Derated (site) Amp	630
5.8	Maximum temperature rise over ambient Deg. C	55 Deg.C (above ambient of 50 Deg.C)
5.9	Rated operation duty	O - 3min-CO-3min-CO
5.10	Rupturing Capacity at rated voltage MVA	
5.11	Rated making current KA peak	
5.12	Short time current	
	b) For 3 sec KA rms	20
5.13	Impulse voltage withstands on 1/50 full wave	75
5.14	Maximum over voltage factor when switching off a) Loaded feeder cable	
5.15	Operating SF6 Gas pressure	
5.16	No of isolator operation permissible without requiring inspection, replacement of contacts and other	Yes
	main parts At 100% rated current At 100% rated breaking current	
5.17	Isolator provided with the following Mechanical safety Mechanical ON, OFF, CABLE EARTH indicators Operation counter Manual spring charging facility	Yes
5.18	Impact load for foundation design (To include dead load plus impact Values on opening at maximum interrupting rating) Kg	
6.0	CURRENT TRANSFORMER	
6.1	Make	
6.2	Type & voltage level	Tap wound/11kV
6.3	Reference standard	IEC 298
6.4	C.T. ratio as specified	To be filled by bidder
6.5	Rated frequency	50
6.7	Class of insulation	Class A

Additional Technical Specification for TENDER NOTICE No:- UGVCL/PROJECT/RDSS/ARVALLI/096

Signature of Tenderer
Place:

Company's Round Seal
Signature of Tenderer

Page 44 of 176
Date:



Uttar Gujarat Vij Company Limited

CIN - U40102GJ2003SGC042906
(A subsidiary of Gujarat Urja Vikas Nigam Limited)

TENDER NOTICE No:- UGVCL/PROJECT/RDSS/ARVALLI/096

6.8	Temperature rises over ambient. Deg. C	To be filled by bidder
6.9	Basic insulation level	
6.10	For tripping CT RATIO Class of accuracy	
	Rated Burden VA	
	Knee Point Voltage V	
	Excitation Current at $V_k/2$ Amps	
	Rated Saturating Current Amps	
	Over Current Rating	
	Continuous % Over Load %	
7.0	Cable terminations	
7.1	Circuit Breaker	To be filled by bidder
	Type	
	Materials	
	Dimensions	
	Size	
	Height of Cable box from ground Level	
	Arrangement for supplying bus end cable box furnished for extensible ring main Unit	To be filled by bidder
	Arrangement for mounting an extra cable box on each equipment furnished	
7.2	Isolator	To be filled by bidder
	Type	
	Materials	
	Dimensions	
	Size	
	Height of Cable box from ground Level	
	Arrangement for supplying bus end cable box furnished for extensible ring main Unit	
	Arrangement for mounting an extra cable box on each equipment furnished	To be filled by bidder
8.0	Name Plate	
8.1	Material	To be filled by bidder
8.2	Thickness	
8.3	Size for Breaker Cubicle Instruments / Devices	

Additional Technical Specification for TENDER NOTICE No:- UGVCL/PROJECT/RDSS/ARVALLI/096

Signature of Tenderer
Place:

Company's Round Seal
Signature of Tenderer

Page 45 of 176
Date:

TENDER NOTICE No:- UGVCL/PROJECT/RDSS/ARVALLI/096

9.0	Painting	Refer detail technical specification, To be filled by bidder
9.1	Finish of Breaker	
	Inside	
	Outside	
9.2	Finish of Isolator	
	Inside	
	Outside	
10.0	Drawing / Data	
10.1	General arrangement for Panel Board	To be filled by bidder
10.2	Foundation plan	
10.3	SF6/VCB tripping and material Schematic	
10.4	Bill of Material	
10.5	SF6/VCB LT panel wiring diagram	

TECHNICAL SPECIFICATION FOR MAINTENANCE FREE EARTH FOR ELECTRICAL INSTALLATION

1. SCOPE

This specification covers supply, installation, connecting, testing & commissioning of Maintenance Free Earthing suitable for Package Substations, distribution transformers, RMU & Feeder Pillars etc.

Earthing is essential in any electrical installation to provide safety. The conventional GI pipe earthing system employing charcoal & salts are provided for various applications as per IS:3043. Corrosion of metallic parts is comparatively fast besides maintenance by way of watering of earth pits and chiseling of corrosion prone parts & their replacement requires monitoring which may not always be feasible in certain crowded and inaccessible areas.

TENDER NOTICE No:- UGVCL/PROJECT/RDSS/ARVALLI/096

This specification covers components, enhancing material & jointing used and procedure for constructing the earth pit for maintenance free earthing system to ensure that the resistance to earth is near zero consistent throughout the year.

2. SERVICE CONDITIONS:

Equipment to be supplied against this specification shall be suitable for satisfactory continuous operation under the following tropical conditions.

- a) Maximum ambient temperature of air: 50°C
- b) Maximum temperature of air in shade: 4°C
- c) Maximum daily average ambient temperature: 40°C
- d) Maximum yearly average ambient temperature: 30°C
- e) Relative Humidity: up to 95%
- f) Average number of thunder storm days per annum: 15
- g) Maximum annual Rainfall: 150cm
- h) Maximum Altitude above mean sea level: 1000Meter
- i) Maximum Wind Pressure: 150 Kg/cm² (As per IS 802 latest code)
- j) Maximum soil temperature at cable depth: 30°C
- k) Maximum soil thermal resistivity: 150°C cm/watt

3. APPLICABLE CODES & STANDARDS

- a) IEEE 80 :IEEE guide for safety in AC sub-station grounding
- b) IS : 3043 :Indian standard code of practice for earthing
- c) IEEE 837 :Standard for qualifying permanent connections used in substation grounding

4. APPLICATION

Earthing systems covered in this document shall be for providing effective grounds for

- i. Sub-Stations
- ii. RTUs, supply control posts
- iii. RMU, Transformer and Generator neutral earths
- iv. Lightning arrester earths
- v. Equipment earths including panels
- vi. In applications for PRS, UTS, FOIS, COIS, ATMs and data processing centre etc.

5. GENERAL TECHNICAL REQUIREMENTS:

(II) SELECTION OF EARTHING SYSTEM

Sl. No	Installations/ Current Capacity	IR Value Required	Soil Type/ Resistivity	Earth System
1	House hold earthing/ 3kA	8 ohm	Normal Soil/ upto 50 ohm-mtr	Single Electrode
			Sandy Soil/ between 50 to 2000 ohm-mtr	Single Electrode
			Rocky Soil/ More than 2000 ohm-mtr	Multiple Electrodes
2	Commercial premises Office buildings/ 5kA	2 ohm	Normal Soil/ upto 50 ohm-mtr	Single Electrode
			Sandy Soil/ between 50	Single Electrode



Uttar Gujarat Vij Company Limited

CIN - U40102GJ2003SGC042906
(A subsidiary of Gujarat Urja Vikas Nigam Limited)

TENDER NOTICE No:- UGVCL/PROJECT/RDSS/ARVALLI/096

			to 2000 ohm-mtr	
			Rocky Soil/ More than 2000 ohm-mtr	Multiple Electrodes
<u>3</u>	Transformers, substation earthing, LT line equipment/ 15kA	1 - 2 ohm	Normal Soil/ upto 50 ohm-mtr	Single Electrode
			Sandy Soil/ between 50 to 2000 ohm-mtr	Single Electrode
			Rocky Soil/ More than 2000 ohm-mtr	Multiple Electrodes
<u>4</u>	Transformers, substation earthing, HT line equipment/ 40kA	less than 1 ohm	Normal Soil/ upto 50 ohm-mtr	Single Electrode
			Sandy Soil/ between 50 to 2000 ohm-mtr	Single Electrode
			Rocky Soil/ More than 2000 ohm-mtr	Multiple Electrodes
<u>5</u>	Lightning arresters, extra high current applications etc./ 50kA	less than 1 ohm	Normal Soil/ upto 50 ohm-mtr	Single Electrode
			Sandy Soil/ between 50 to 2000 ohm-mtr	Single Electrode
			Rocky Soil/ More than 2000 ohm-mtr	Multiple Electrodes
<u>6</u>	PRS, UTS, RTUs, FOIS, COIS, ATMs and data processing centre etc./5KA	less than 0.5 ohm	Normal Soil/ upto 50 ohm-mtr	Single Electrode
			Sandy Soil/ between 50 to 2000 ohm-mtr	Single Electrode
			Rocky Soil/ More than 2000 ohm-mtr	Multiple Electrodes

(III) TYPE OF SOILS

Soil can be classified in to various types, though based on the size of the particles it contains:

Normal soil

Black cotton soil, vegetable soil, garden soil, loamy garden, soil shallow black, soil medium black soil, deep black soil and marshy soil etc. having low soil resistivity value (up to 50 ohm-meter)

Sandy soil

This type has the big particles and the size of the particles does determine the degree of aeration and drainage that the soil allows. It is granular and consists of rock and mineral particles that are very small. Therefore, the texture is gritty and sandy soil is formed by the disintegration and weathering of rocks such as limestone, granite, quartz and shale, thus resulting in over-drainage. It warms very fast in the spring season. Coastal area, silt soil, red

TENDER NOTICE No:- UGVCL/PROJECT/RDSS/ARVALLI/096

sandy soil, sandy clay and coastal alluvium etc having soil resistivity up to 2000 ohm-meter are considered as sandy soil.

Rocky soil

The area containing rocks, pebbles, uneven hard surface laterite soil, lime stone, sand stone, gravel, granite and chalk etc having soil resistivity more than 2000 ohm-meter is considered as rocky soil. This type of soil does not absorb moisture and are extremely poor conductor.

(IV) LOCATION OF EARTH ELECTRODE

Where there is option, site should be chosen in one of the following types of soil in the order of preference given: -

- a. Wet marshy ground;
- b. Clay, loamy soil, arable land.
- c. Clay and loam mixed with varying proportions of sand, gravel and stones;
- d. Damp and wet sand, peat.

Dry sand, gravel chalk, limestone, granite, very stony ground and all locations where virgin rock is very close to the surface should be avoided,

(V) MEASUREMENT OF EARTH ELECTRODE RESISTANCE

The earth resistance shall be measured using fall of potential method as per para 37 of IS:3043.

(VI) EARTHING SYSTEM

The earthing system includes earth electrode, installation of earth electrode in suitable pit size, construction of earth pit with cover for the installation, connection of earth electrode with equipotential earth bus and connection of equipment to equipotential earth bus.

Earth electrode

The earth electrode is the main component of the earthing system which is in direct contact with the ground and thus provides a means of releasing or collecting any earth leakage currents. The material should have good electrical conductivity and should not corrode in a wide range of soil conditions. For an effective earthing system, two types of earth electrodes can be used as described here:

Rod earth electrode

- High tensile-low carbon steel rod having diameter not less than 17mm complying with requirements of BS 4360 Grade 43A or EN10025:2-004 S275JR, molecularly bonded by 99.99% pure high conductivity copper on outer surface with copper coating thickness 250 micron or more, Length 3000 mm (minimum). Length of the electrode may be increased in multiple of 1 meter to reduce earth resistance if required. To increase the length, pieces of similar rod shall be either exothermally welded to basic 3-meter electrode or connected using socket of suitable size. These sockets shall also be molecularly bonded by 99.99% pure high conductivity copper on inner & outer surface with copper coating thickness 250 micron or more.
- Copper bus bar of size 250 mm x 50mm x 6 mm having electrical conductivity of 101% IACS, minimum 99.9% copper content shall be exothermally welded to rod with 4 holes of 12 mm dia. (2 on each side) for connecting earthing conductor.

TENDER NOTICE No:- UGVCL/PROJECT/RDSS/ARVALLI/096

- Current carrying capacity: The design of the electrode should be such as to have more than 15kA current carrying capacity for 1 second.

Concentric pipe earth electrode:

- Primary conductor
MS pipe with 25 - 50 mm diameter, class B, ISI mark as per IS-1239, Length 2000 or 3000 mm as per table below current carrying capacity.
 - Secondary conductor
MS pipe with 40-100 mm diameter, class B, ISI mark as per IS-1239, Length 2000 or 3000 mm as per table below current carrying capacity.
 - Conductive mixture
For hermetically filling inside the cavity i.e. between secondary conductor & primary conductor, crystalline compound is to be injected in the electrode assembly. It is a combination of high conductivity metal alloys, copper & aluminum powder, conductive carbon/cement and bonding material etc. mixed in different proportion. The mixture is forced (pressurized) filled inside the earth electrode in the paste form and after solidification of the same, the end caps are welded. The metal alloys shall help in conducting the current and conductive carbon gives anti corrosive property. Bonding material should provide strength to the mixture. Resistivity of the mixture shall be less than 0.2 ohm-meter. Resistivity shall be tested by making a 20cm cube of the material and checking resistance across the opposite face of the cube.
 - Complete electrode shall be molecularly bonded by 99.99% pure, high conductivity copper on outer surface with copper coating thickness 300 micron or more.
 - Its surface shall be clean and free from any visible oxide layer or foreign material.
 - Copper bus bar of size 250 mm x 50mm x 6 mm having electrical conductivity of 101% IACS, minimum 99.9% copper content shall preferably be exothermically welded to earth electrode or connected with the help of two number stainless steel nut bolts of appropriate size having 4 holes of 12 mm dia. (2 on each side) for connecting earthing conductor.
-
- Current carrying capacity:
The design of the electrode should be such as to have more than following current carrying capacity in kA (for 1 second):

<u>Sl. No</u>	<u>Current Capacity</u>	<u>Primary Conductor diameter</u>	<u>Electrode dimensions (dia. x length)</u>
<u>1</u>	3 kA	25 mm	40 mm x 2000 mm
<u>2</u>	5kA	25 mm	40 mm x 3000 mm

TENDER NOTICE No:- UGVCL/PROJECT/RDSS/ARVALLI/096

<u>3</u>	15kA	25 mm	50 mm x 3000 mm
<u>4</u>	40kA	40 mm	80 mm x 3000 mm
<u>5</u>	50kA	50 mm	100 mm x 3000 mm

Note: - For more than 50KA applications, multiple electrodes of 50KA capacity shall be installed and connected.

Earth enhancement material:

Earth enhancement material is a superior conductive material that improves earthing effectiveness, especially in areas of poor conductivity (rocky ground, areas of moisture variation, sandy soils etc.). It may contain conductive cement, graphite, hydrous aluminium silicate, sodium montmorillonite etc and shall not contain bentonite. It improves conductivity of the earth electrode and ground contact area. It shall have following characteristics

- i. It should have low resistivity preferably bellow 0.2 Ohm-meters. Resistivity shall be tested by making a 20cm. cube of the material and checking resistance across the opposite face of the cube.
- ii. It shall not depend on the continuous presence of water to maintain its conductivity.
- iii. It should be a little alkaline in nature with pH value >7 but test certificate from NABL approved laboratory to be provided for the composition so designed.
- iv. It should have better hygroscopic properties to absorb moisture. It should absorb and release the moisture in dry weather condition and help in maintaining the moisture around the earth electrode.
- v. It should have capacity to retain >10% moisture at 105°C. Test certificate from NABL approved lab to be submitted for the composition so designed.
- vi. It should have water solubility < 5%. Test certificate from NABL approved lab be submitted for the composition so designed.
- vii. It should be granular with granule size 0.1 mm to 3 mm.
- viii. It should be nontoxic, non-reactive, non-explosive & non-corrosive.
- ix. It shall be thermally stable between -10 degrees centigrade to +60-degree centigrade ambient temperature.
- x. It shall not decompose or leach out with time.
- xi. It shall not pollute the soil or local water table and meets environmental friendly requirement for landfill.
- xii. It should expand & swell considerably and removes entrapped air to create strong connection between earth electrode and soil.
- xiii. It should be diffusing into soil pores and creates conductive roots enlarging conductive zone of earth pit.
- xiv. It shall be permanent & maintenance free and in its “set form”, maintains constant earth resistance with time.
- xv. It shall not require periodic charging treatment or replacement.
- xvi. It shall be suitable for any kind of electrode and all kinds of soils of different resistivity.
- xvii. It shall not cause burns, irritation to eye, skin etc.

TENDER NOTICE No:- UGVCL/PROJECT/RDSS/ARVALLI/096

- xviii. Minimum quantity of earth enhancement material to be supplied: For 5' x5'x 10' earth pit - Min. 75 kgs per pit for 300mm bore type earth pit - Min 50 kgs per pit
- xix. The Earth enhancement material shall be supplied in sealed, moisture proof bags. These bags shall be marked with Manufacturer's name or trade name, quantity, batch no & date of manufacture.

Backfill material

Normally the excavated soil shall be used if it is free from sand, gravel and stones. In case the excavated soil contains sand, gravel and stones these shall be removed by appropriate methods such as hand picking, sieving etc. Small proportion of sand in the soil may be permissible. Material like sand, salt, coke breeze, cinders and ash shall not be used because of its acidic and corrosive nature. If the excavated soil contains sand, gravel and stone in large proportion and it is not feasible to remove these economically, good quality soil from other place may be used for backfilling. While backfilling the soil shall be thoroughly compacted with at least 5 kg compactor. In case the soil is dry, small quantity of water may be sprinkled only to make it moist enough suitable for compacting. Large quantity of water may make the soil muddy which is not suitable for compacting and after drying the soil may contain voids which may permanently increase earth resistance.

Equipotential bus & Earthing Conductor

- A copper bus bar of size 300mm x 25mm x 6mm to be installed in the equipment room as equipotential bus and must be connected with preferably copper strip of 25mm x 3mm (suitable length) from instrument to the bus bar. The connecting terminal of the earth electrode to the bus bar must be connected by copper strip of 25mm x 3mm (suitable length) buried inside a trench of 300mm width x 600mm depth (from the earth pit to the nearest wall). It shall be duplicated. However, it shall be ensured that only minimum required length is used and any extra length is cut away to keep the earth impedance minimum.
- It shall be high conductivity copper having electrical conductivity of 101% IACS i.e. minimum 99.9% copper content The maximum specific resistance of the copper strip earthing conductor shall be 17.241×10^{-7} -ohm cm at 20°C.
- At a temperature of 20°C, its density shall be 8.89 gm/cm³
- Its surface shall be clean and free from any visible oxide layer or foreign materials.
- It shall preferably be connected to earth electrode and earth bus bar with the help of exothermic welding or at least two number stainless steel nut bolts of appropriate size.
- Normally a single length of copper strip shall be used for each duplicate copper strip earthing conductor and no joint should be used. However, in situation requiring greater length one joint in each copper strip shall be permitted. The joints shall be made by exothermic welding of at least 10mm overlapping portion of the strips.

Construction of unit earth.

- Make 5ft x 5ft x 10ft earth pit. If it is not possible to make such a pit due to non-availability of clear space at locations like ATM, High mast lighting tower, Passenger information systems, PRS etc. or in rocky soil, min. 300 mm bore up to 10 ft deep can be made using earth auger or any other method. Earth pit larger than specified size can be made, if required.

TENDER NOTICE No:- UGVCL/PROJECT/RDSS/ARVALLI/096

- Sleeve the soil digged and remove the gravels and stones. If soil quality is good (without Murum and rocks) then add some quantity of earth enhancement material in the soil for using as backfill.
- If the soil seems unusable (containing large quantity of gravel, stones, murum, sad etc.) then replace the soil with black cotton soil.
- Insert the electrode at the centre of the earth pit and arrange to keep it vertical in the pit.
- Arrange for adequate quantity of water supply for the earth pit. (Approx. 600 litres)
- Fill the pit with the backfill and keep on adding the earth enhancement material surrounding the electrode and simultaneously watering the pit.
- With a steel bar or pipe, keep on poking the soil gel and stirring intermittently for removing the air pockets and proper settlement of the pit.
- The procedure to be repeated till completion of the filling of the earth pit along with the packing material and sufficient watering adequate ramming.
- The pit should be very compactly rammed and watering for 2-3 days and addition of soil if required be done.
- Make trench of 600 mm (depth) x 300 mm (wide) from the earth pit to the nearest point of connection.
- Construct inspection chamber with cover for the installation.
- Measure the earth resistance as per IS 3043:1987 code of practice. Earth resistance value shall be less than 1 ohm in non-rocky/non-sandy surface by single electrode Installation and in rocky surface by multiple electrode installation (not more than three electrodes & its individual earth pits). For earthing purpose, if solid rocky layer is found within 10 feet from ground level while digging the earth pit then it is considered rocky surface. Coastal area, silt soil, red sandy soil and sandy clay are considered as sandy surface.
- If required resistance is lower than the resistance of single earth electrode, then multiple earths can be constructed and interconnected.

Construction of ring earth by providing multiple earth pits

- Wherever it is not possible to achieve required earth resistance with one earth electrode/pit due to difficult/rocky soil conditions, provision of ring earth consisting of more than one earth pit shall be done. The number of pits required shall be decided based on the resistance achieved for the earth pits already installed. The procedure mentioned above for one earth pit shall be repeated for other earth pits.
- The distance between two successive earth electrodes shall be min. 3mtrs / length of electrode whichever is higher. and max. up to twice the length of the earth electrode.
- These earth pits shall then be inter linked using 25X3 mm copper strip to form a loop preferably using exothermic welding or with the help of at least two number of stainless steel nut bolts of appropriate size.
- The interconnecting strip shall be buried no less than 600mm (0.6m) below the ground level. This interconnecting strip shall also be covered with earth enhancing compound.

Inspection chamber

- A 300X300X300 mm (inside dimension) concrete box (wall thickness min. 50 mm) with smooth cement plaster finish shall be provided on the top of the pit. A concrete lid 25

TENDER NOTICE No:- UGVCL/PROJECT/RDSS/ARVALLI/096

to 50 mm. thick, with pulling hooks, painted black shall be provided to cover the earth pit. PVC sleeve of appropriate size shall be provided in concrete wall to take out earthing connections.

- The masonry work shall be white washed inside and outside.
- Care shall be taken regarding level of the floor surrounding the earth so that the connector is not too deep in the masonry or projecting out of it.
- On backside of the cover, date of the testing and average resistance value shall be written with yellow paint on black background.

(VII) MARKING:

The marking shall be clear, distinct and visible to the naked eye from a distance of about 1 meter; the size of marking shall be of minimum 25 mm. Following information shall be legibly and indelibly marked on the packed sets:

- a. Specification no.
- b. Name of the manufacturer
- c. Batch no. & Date of manufacturer
- d. Current carrying capacity

b. TESTING & COMMISSIONING

Following tests shall be done on one sample-

- Testing of copper coating shall be done as described below: -
 - i. The copper coating mentioned in clause 14.5.5.1 shall not be less than the prescribed thickness at any point and shall comply with the adherence requirement in para (ii) & (iii) below.
 - ii. Length of the electrode with one end cut to a 45-degree point shall be driven between two steel clamping plates or the jaws of a vise set 0.04 in (1.02 mm) less than the diameter of the electrode, so as to shear off sufficient metal to expose the bond between the copper coating and electrode. Peeling of the coating by the steel plates or the jaws of the vise is acceptable, but there shall be no other evidence of separation of the coating from the metal core.
 - iii. At room temperature, a length of the electrode is rigidly held in a clamp or vise and the free end is bent by applying a force normal to the electrode at a distance from the clamping device equal to 40 times the diameter. The magnitude of the force and the direction of application of force shall be such that the electrode is permanently bent through a 30-degree angle. While bending of the electrode there shall be no evidence of cracking of the copper coating.
- Material composition of rod shall be tested as per standards mentioned in clause no. 14.5.5.1 (Rod Earth Electrode)
- MS pipes shall be tested as per IS:1239.
- Copper bus bars shall be tested for percentage of copper as per IS:14644.
- Current carrying capacity test on rod electrode shall be done as per clause above.
- Corrosion Test: As per IS:2119, salt spray test for analysis of effect of corrosion for the specific electrode shall be done through NABL approved testing lab, preferably for 500 hrs. or more.
- Exothermic weld material shall be tested as per provisions of IEEE 837.
- Electrical properties test on conductive mixture as per clause above.
- Physical, chemical & electrical properties test on earth enhancement material as per clause no. 14.5.5.2.

TENDER NOTICE No:- UGVCL/PROJECT/RDSS/ARVALLI/096

- Toxic content tests for cadmium, lead, mercury, hexavalent chromium, polybrominated biphenyls (PBBs) & polybrominated diphenyl ethers (PBDEs) on conductive mixture & earth enhancement material.
Certificates from NABL approved laboratories shall be submitted with test results of above tests. Test certificates shall not be more than three years old.
For dimension, weight and specific resistance average of 3 readings shall be taken. Average value shall be within specified limits and individual values shall not go beyond double of tolerances.

ACCEPTANCE TESTS

Following shall constitute acceptance tests and shall be done on 100% sample basis for all the tests mentioned below except where otherwise indicated-

- a. Physical check for earth electrode as per clause above for rod type electrode and as per clause above for concentric pipe type electrode.
- b. Physical check for copper bus bar as per clause above for rod type electrode and as per clause above for concentric pipe type electrode.
- c. Dimensional and construction feature tests of inspection chamber
- d. Earth enhancement material as per clause no. 14.5.5.2
- e. Earth resistance measurements as per clause no. 14.5.4.

Rejection:

In case the any component tested and inspected in accordance with this specification, fail to pass the tests or comply with the requirement of the specification, another two components from the same lot shall be inspected in accordance with the specification and if one of them also fail to pass the test, the whole lot of that component shall be rejected subject to the discretion of the purchaser or his nominee.

INSPECTION:

All the gauges/ test & measuring instruments shall be under calibration control at the time of inspection and proof to this office shall be produced. Inspection and testing shall be carried out by the inspecting authority nominated by the purchaser to ensure that all the requirements of this specification are complied with for the acceptance of the materials offered by the supplier for inspection. The purchaser or his nominee shall have right of free access to the works of the manufacturer and to be present at all reasonable times and shall be given facilities by the manufacturer to inspect the manufacturing process at any stage of manufacture. He shall have the right to reject whole or part of any work or material that does not conform to the terms of this specification or any other specification or requirement applicable and may order the same to be removed / replaced or altered at the expense of the manufacturer. All reasonable/complete facilities considered necessary by the inspecting authorities for the inspection shall be supplied by the manufacturer free of cost. The manufacturer shall at his own cost prepare and furnish the necessary test pieces and appliances for such testing as may be carried out at his own premises in accordance with the specification. Failing the existence of facilities at his own premises for the prescribed tests, the manufacturer shall bear the cost of carrying out the tests in an approved laboratory, workshop or test house.

COMPLETION REPORT & CERTIFICATION:

TENDER NOTICE No:- UGVCL/PROJECT/RDSS/ARVALLI/096

The last documents for the completion of the procedure will be submission of the work completion report to the engineer in charge. After testing the earth values of the pits and proper recording in presence of engineer in charge, certified grounding self-adhesive certificate shall be provided for all installations and the same will be displayed / pasted at the place of installation.

The complete layout with dimensions of the earthing & bonding system shall be submitted by the supplier in appropriate size (in three copies) after commissioning showing commissioning date, earth resistance, specification no. and manufacturer's name.

GTP:

Sl. No.	Parameter Name	Details
1	Name of Manufacturer	
2	Type of earth electrode	Pipe in Pipe Type
3	Whether Inner & Outer pipes of the earth electrodes are marked with ISI mark as per IS:1239	
4	Dimensions of the Outer Pipe (Dia x Length x Thickness in mm)	-----
5	Dimensions of the inner Pipe (Dia x Length x Thickness in mm)	-----
6	Whether M. S. Pipes are hot dip galvanized as per this specification & the level of hot dip galvanizing in microns	250-300 microns
7	Whether the conductive material in the pipe electrodes is machine pressed to have homogenous	

Additional Technical Specification for TENDER NOTICE No:- UGVCL/PROJECT/RDSS/ARVALLI/096

Signature of Tenderer
Place:

Company's Round Seal
Signature of Tenderer

Page 56 of 176
Date:

TENDER NOTICE No:- UGVCL/PROJECT/RDSS/ARVALLI/096

	solid mixture	
8	Contents of the Conductive materials (in Percentage) filled in between the two pipes & in the inner side pipe	70% Carbon powder & 30% metal powder preferably pure copper or aluminum material along with the required quantity of bonding materials
9	Whether the material is tested for resistivity as per this specification.	<0.2 ohm-meter
10	Size of bus bar connecting M. S. Plate (Hot dip Galvanized) welded to the electrode for earth connection.	350mmx50mmx6mm
11	Hardness of the Conductive material after setting	
12	Earth Resistivity of the earth electrode assembly after setting	
13	Total weight of the earth electrode assembly	
14	Brand name of the earth enhancement material (if any)	
15	Contents of the earth enhancement material (Percentage of various components in the mixture & their Chemical Composition etc.)	
16	Resistivity of the earth enhancement material	Below 0.2 Ohm-meter
17	pH value of the earth enhancement material	>7 & <9
18	Moisture retaining capacity at 105°C	>10%
19	Granular size of the material	0.1mm to 3mm
20	Water solubility (in Percentage)	51%
21	Thermal stability of the material (Temperature Range)	-10°C to 60°C
22	Weight of material per bag	
23	Whether the Material is nontoxic, nonreactive, nonexplosive & noncorrosive as per the specification	
24	Whether the material is packed in proper bags & bags marked with details such as Brand name, Batch no., Year & month of manufacture & tender reference etc.	
25	Whether type tests as applicable for the materials offered are submitted if so Give details	

TECHNICAL SPECIFICATION OF GI EARTHING STRIPS

1. Scope:

This section of the specification covers the supply, erection, testing and commissioning of Galvanizes Iron Earthing Strips for the Distribution Network equipment's.

2. Applicable Standards:

The galvanizing and Testing of materials shall confirm to the latest edition of the following standards except otherwise specified in the specification.

Recommended practice for hot dip galvanized of Iron Earthing Strips	IS: 2629(1966)
Methods of testing weight, thickness & uniformity of coating on hot dip galvanized articles	IS: 2633(1972)
Specification for hot dip galvanized coating on fastness I	IS: 5358(1969)
Specification for Electroplating	IS:3203
Specification for hot dip Zinc coating on structural & other allied products	IS: 4759(1968)

3. General Technical Requirements:

MATERIAL

Supplier has to purchase raw materials (MS Flat) as per relevant IS at his own cost.

The zinc required for galvanizing shall be quality Zn-98 & shall confirm to IS: 209- 1966 and its latest amendments.

The Supplier shall make his own arrangement for procurement before the commissioning of work, sufficient quantity of electrolytic zinc of proper quality for galvanizing. The Supplier shall however, not link the delivery period with the supply of zinc. The DISCOM is at liberty to have sample of zinc used and to test in any laboratory at his own cost and reject the particular supply, is found below standard.

All raw materials required for galvanizing etc. and for complete execution of work shall be stocked in adequate quantities by the Supplier to ensure that the progress of work is not hampered.

GALVANISING

Fully galvanized Iron strips shall be used. Galvanized Iron strips shall confirm to IS: 2629 (1966). The zinc deposition should not be less than 610 grams/meter square of the galvanized surface area of the MS Earthing strips.

All galvanized materials shall withstand test as per IS: 2633 (1972). The weight of zinc coating shall determine as per the method stipulated in IS: 2633(1964).

The standard length of Galvanized Iron Earthing Strip shall be minimum 7 Mtrs and not exceeding 10 Mtrs.

4. Inspection:

The Purchaser reserves the right to inspect the material at the time of tests. All tests shall then be performed in the presence of Inspecting Authority appointed by the Purchaser and the Supplier. The Bidder shall have to give intimation of place and date and time of each test to enable the later to be present to witness the test. All the test results must be recorded in presence of the inspecting authority and no materials shall be dispatched, without having been passed by Purchaser's duly appointed Inspector and specific dispatch instructions in writing from Chief Engineer / Addl. Chief Engineer (Project).

5. TESTS

The following tests shall be carried out in accordance with IS:280-1978 or the latest version thereof as per sampling criteria stipulated therein:

- i) Dimensional check (dia.).
- ii) Visual inspection regarding freedom from defects.
- iii) Tensile test
- iv) Galvanizing/Electroplating test

6. QUALITY ASSURANCE PLAN

The bidder shall invariably furnish following information along with his offer, failing which his offer shall be rejected.

- I. Statement giving list of raw materials, proposed to be used against this Specification, names of sub suppliers for the raw materials, list of standards according to which the raw materials are tested, list of tests normally carried out on raw materials in presence of Bidder's representative as routine and / or

TENDER NOTICE No:- UGVCL/PROJECT/RDSS/ARVALLI/096

acceptance during processing and on finished goods, copies of test certificates of processing and testing facilities available.

- II. List of areas where stage inspections are normally carried out for quality control and details of such tests and inspections.
- III. List of testing equipment available with the Bidder for testing. In the case if the Bidder does not possess all the Routine and Acceptance testing facilities the tender will be rejected.
- IV. The Purchaser reserves the right for factory inspection to verify the facts quoted in the offer. If any of the facts are found to be misleading or incorrect the offer of that Bidder will be out rightly rejected and he may be black listed.

TECHNICAL SPECIFICATION FOR 1.1kV XLPE INSULATED POWER CABLES

1. Scope

This specification covers the design, manufacture, shop testing, supply and delivery in proper packed condition of 1.1kV voltage grade Aluminum Conductor, XLPE insulated, PVC sheathed, Armoured, screened Power Cables generally conforming to the latest standards of IS / IEC / BS or equivalent.

2. Service Conditions:

Equipment to be supplied against this specification shall be suitable for satisfactory continuous operation under the following tropical conditions.

- a) Maximum ambient temperature of air: 50° C
- b) Maximum temperature of air in shade: 4° C

TENDER NOTICE No:- UGVCL/PROJECT/RDSS/ARVALLI/096

- c) Maximum daily average ambient temperature: 40°C
- d) Maximum yearly average ambient temperature: 30°C
- e) Relative Humidity: up to 95%
- f) Average number of thunder storm days per annum: 15
- g) Maximum annual Rainfall: 150cm
- h) Maximum Altitude above mean sea level: 1000Meter
- i) Maximum Wind Pressure: 150 Kg/cm² (As per IS 802 latest code)
- j) Maximum soil temperature at cable depth: 30°C
- k) Maximum soil thermal resistivity: 150°C cm/watt

3. Code & Standards:

All standards, specifications and codes of practice referred to herein shall be the latest editions including all applicable official amendments and revisions as on date of opening of bid. In case of conflict between this specification and those (IS: Codes, standards, etc.) referred to herein, the former shall prevail.

Nothing in this specification shall be construed to relieve the contractor of his responsibility. Where no standards are available, the supply items shall be good quality, workmanship and backed by test results.

The power cable shall conform to the latest applicable standards and codes of practice as mentioned in this specification.

Other National Standard are acceptable if they are established to be equivalent to or superior to the listed standards subject to approval by the purchaser and the contractor shall provide English version of standards and codes applicable.

The 1.1kV XLPE power cable shall confirm to the currently applicable standards and codes of practice and reports as mention below table:

S. No.	Title	IS Standard	IEC / BS Standard
1	Conductors for insulated electric cables and flexible cords.	IS: 8130 - 1984	IEC 60228-1978
2	PVC insulation and sheath of electric cables.	IS: 5831 - 1984	IEC 60502
3	Mild steel wires, Formed wires and Tapes for armouring of cables.	IS: 3975 - 1988	
4	Fictitious calculation method for determination of dimensions of protective coverings of cables.	IS :10462 (Part I) - 1983	IEC 60502:1978

TENDER NOTICE No:- UGVCL/PROJECT/RDSS/ARVALLI/096

5	1.1 KV Grade XLPE insulated cables.	IS : 7098 (Part-I)	
6	Method of test for cables	IS : 10810	
7	Code of practice for installation & maintenance of power cables up to & including 11 KV rating.	IS : 1255	
8	Drums for electric cables.	IS : 10418	
9	Electro Technical Vocabulary for Electric Cables	IS:1885, Part-32	

4. General Technical Requirements: -

(I) Armoured cables: -

1100 Volts Grade L.T. cable with stranded H2/H4 grade aluminum conductor, XLPE insulated, colour coded, laid up, with fillers and/or binder tape where necessary provided with extruded PVC inner sheath, single galvanized round steel wire / strip armoured and provided with PVC outer sheath. All LT cable shall be conforming to IS : 5831& IS : 8130 (amended up to date) and bearing ISI mark .

(II) Insulation, Inner sheath and Outer sheath: -

Insulation, inner sheath and outer sheath shall be applied by separate extrusion. Inner sheath shall be applied by extrusion only. Bedding of PVC tape for inner sheath is not acceptable. The color of the outer sheath shall be different according to the different size of cables and color of outer sheath shall be approved before manufacturing. The quality of insulation should be good and insulation should not be deteriorated when exposed to the climatic conditions.

The core insulation shall be with cross linked polyethylene insulating compound applied by extrusion & should be manufactured with Dry/Gas curing process. It shall be free from voids and shall withstand all mechanical and thermal stresses under steady state and transient operating condition. It shall conform to the properties given in Table-1 of IS: 7098(Part-2).

The conductor screen, XLPE insulation and insulation screen shall be extruded in one operation by “Triple Extrusion Dry. Cured” process to ensure perfect bonding between the layers. The core identifications shall be colored strips or by printed numerals.

The outer sheath of the cables shall be of PVC compound conforming to the armouring and shall be of PVC compound conforming to the requirements of Type ST2 compound of IS:5831 with suitable additives shall be provided (To prevent attack by rodent & termite). The thickness of outer sheath shall be as per amendment No. 1 to Table 5 of IS: 7098- part-2.

The dimension of the insulation, inner sheath and armour materials shall be governed by values given in latest IS: 7098(pt.2)1958.

(III) Sequential marking of length on cable: -

Non erasable Sequential Marking of length shall be provided by embossing on outer sheath of the cable for each meter length.

(IV) Continuous A C current capacity: -

Continuous A.C. current capacity shall be as per Table given below.

Conductor sizes insq.mm.	Continuous A.C. current capacity in Amps.
-----------------------------	---

TENDER NOTICE No:- UGVCL/PROJECT/RDSS/ARVALLI/096

	In ground(Amps)	In air(Amps)
2C X 10 sq.mm	69	59
4C X 10 sq.mm	57	67
4C X 16 sq.mm	73	70
4C X 25 sq.mm	94	96
4C X 50 sq.mm	133	142
4C X 70 sq.mm	164	179
4C X 95 sq mm	196	221
4C X 120 sq mm	223	257
4C X 150 sq mm	249	292
4C X 240 sq mm	326	399
1C X 300 sq mm	376	501

(V) Short circuit current capacity: -

Short circuit current of LT XLPE cable shall be as per Table given below.

Duration of Short Circuit In Sec.	Area of Al. conductor	Short circuit current in kA
T	A	$I=0.094 \times A/\text{sq.rt} (t)$
1	10sq mm	0.94
1	16 sq mm	1.50
1	25 sq mm	2.40
1	50 sq mm	4.70
1	70 sq mm	6.60
1	95 sq mm	9.00
1	120 sq mm	11.30
1	150 sq mm	14.20
1	240 sq mm	22.60
1	300 sq mm	28.30

(VI) Storage and handling of cables: -

- a. All cables shall be inspected upon receipt at site and checked for any damage during transit. Cable drums shall be stored on a well-drained, hard surface, preferably of concrete, so that the drums do not sink in the ground causing rot and damage to the cable drums.
- b. During storage periodical rolling of drums once in 3 months done. Rolling shall be done in the direction of the arrow marked on the drum.
- c. It should be ensured that both ends of the cable are properly sealed to prevent ingress/absorption of moisture by the insulation.
- d. Protection from rain and sun shall be ensured. Sufficient ventilation between cable drums, should be ensured during storage.
- e. The drums shall always be rested on the flanges and not on the flat sides.
- f. Damaged battens of drums etc. should be replaced, if necessary.
- g. When cable drums have to be moved over short distances, they should be rolled in the direction of the arrow, marked on the drum.

TENDER NOTICE No:- UGVCL/PROJECT/RDSS/ARVALLI/096

- h. For transportation over long distances, the drum should be mounted on cable drum wheels strong enough to carry the weight of the drum and pulled by means of ropes. Alternatively, they may be mounted on a trailer or on a suitable mechanical transport.
- i. When unloading cable drums from vehicles, a crane shall preferably be used. Otherwise the drum shall be rolled down carefully on a suitable ramp or rails, where necessary.
- j. While transferring cable from one drum to another, the barrel of the new drum shall have a diameter not less than that of the original drum.
- k. The cables shall not be bent sharp to a small radius. The minimum safe bending radius for all types of XLPE cables shall be taken as 12 times the overall diameter of the cable. Wherever practicable, larger radius should be adopted. At joints and terminations, the bending radius of individual cores of a multi core cable shall not be less than 15 times its overall diameter.
- l. Cable with kinks and straightened kinks or with similar apparent defects like defective armouring etc. shall be rejected.
- m. Cables from the stores shall be supplied by the contractor as per the site requirement in pieces cut in the stores, and further both ends are to be sealed as per Para 'c' above.

(VII) Drums

Cables shall be supplied in the drums made from eco-friendly material in the specified length. The Drums shall be strong, weatherproof and non-returnable. The ends of the cable shall be sealed by means of non-hygroscopic sealing material. Applicable Length of Cable/ drum should be as per IS.

The cable shall be supplied in standard drum length of 500 mtrs. +/- 5% tolerance for all the sizes of cable except 10 mm² & 16mm² size cable. The drum length for 10 mm² and 16mm² cable shall be 1000 mtrs. +/- 5%.

Over all tolerance in total quantity of ordered cables shall be +/- 2%.

General

- All cables shall be suitable for installation in air, conduits, ducts, and open concrete trenches or for direct burial in either wet or dry locations for normal operating conditions.
- All cables shall be flexible and easy to bend, pull, handle and install

(VIII) Installation (Laying in trench):-

General:

The cable installation including necessary termination shall be carried out in accordance with the specifications given herein and IS 1255.

Trenching:

The detail technical specification of Trench shall be a part of civil works.

(i) Width of Trench: - 300/450/600mm

(ii) Depth of Trench: - 1200mm.

Laying of Cable in Trench

- i. At the time of issue of cable for laying, the cores shall be tested for continuity and insulation resistance.
- ii. The inter-axial spacing between the cables shall be maintained as per IS to maximize the cable capacity.
- iii. The cable drum shall be properly mounted on jacks or on a cable wheel, at a suitable location, making sure that the spindle, jack etc. shall be strong enough to carry the

TENDER NOTICE No:- UGVCL/PROJECT/RDSS/ARVALLI/096

- weight of the drum without failure and that the spindle is horizontal in the bearings so as to prevent the drum creeping to one side while rotating.
- iv. The cable shall be pulled over rollers in the trench steadily and uniformly without jerks and strains. The entire cable length shall as far as possible be pulled of in one stretch. However, where this is not possible the remainder of the cable may be removed by 'Flaking' i.e. by making one long loop in the reverse direction.
 - v. After the cable has been uncoiled and laid into the trench over the rollers, the cable shall be lifted slightly over the rollers beginning from one end by helpers standing about 10 m apart and drawn straight. The cable should then be taken off the rollers by additional helpers lifting the cable and then laid in a reasonably straight line.
 - vi. When the cable has been properly straightened, the cores shall be tested for continuity and insulation resistance. In case of PVC XLPE cables, suitable moisture seal tape shall be used for this purpose.

Laying in HDPE pipes by HDD/closed ducts:

- i. In location such as road crossing, crossing other utilities etc. cables shall be laid in pipes.
- ii. HDPE Pipes shall be used for such purposes. Pipes as required shall be laid along with the civil works and jointed according to the instructions of the Engineer-in-Charge as the case may be. The size of pipe shall be as indicated in the Road Crossing Drawing for Electrical Services.
- iii. The pipes on road crossing shall preferably be on the skew to reduce the angle of bends as the cable enters and leaves the crossings. This is particularly important for high voltage cables.
- iv. Manholes of adequate size as specified or decided by the Engineer-in-Charge shall be provided to facilitate feeding/drawing in of cables and to provide working space for persons. They shall be covered by suitable manhole covers with frame of proper design.
- v. Pipes shall be continuous and clear of debris or concrete before cable is drawn. Sharp edges at ends shall be smoothed to prevent injury to cable insulation or sheathing.

5. TEST & INSPECTION: -

Cables shall be subjected to routine & acceptance tests in accordance with the IS 1554 (Part - I, in addition to physical, ageing and electrical tests at the Manufacturer's plant in accordance with applicable standards and will be approved by 3rd party agency.

5.1 Type Test: -

The successful bidder shall submit the following type test reports conducted on similar equipment's for approval of owner.

- a) Annealing test (for copper)
- b) Tensile Test (for aluminum)
- c) Conductor resistance test
- d) Test for Armour wires
- e) Test for thickness of insulation check
- f) Physical test for insulation
- g) Physical test for PVC sheath
 - i. Fire resistance.
 - ii. Cold-impact
 - iii. Bleeding and blooming
- h) Partial discharge test
- i) Bending Test
- j) Dielectric power factor tests

TENDER NOTICE No:- UGVCL/PROJECT/RDSS/ARVALLI/096

- k) Heating cycle test
- l) Impulse withstand test

m) High voltage test (water immersion test)

All the following routine / acceptance tests specified in relevant standards shall be witnessed by the owner / consultant.

5.2 Acceptance Test:-

- a) Conductor resistance test
- b) Test for thickness of insulation and sheath
- c) Partial discharge test (for screened cables only)
- d) High voltage test (water immersion test)
- e) Annealing test (for copper)
- f) Tensile test (for aluminum)
- g) Wrapping test (for aluminum)
- h) Insulation resistance test

5.3 Routine Test: -

- a) Conductor resistance Test
- b) Partial discharge test (for screened cable only)
- c) High voltage test.

5.4 Test Certificate: -

Three (3) copies of routine / acceptance test certificates shall be produced with the endorsement of the inspecting authority to the purchaser before effecting dispatch.

5.5 PACKING AND MAKING

Cables shall be dispatched in non-returnable wooden drums of suitable barrel diameter. Securely battened, with the take-off end fully protected against mechanical damage. The wood used for construction of the drum shall be properly seasoned, sound and free from defects. Wood preservatives shall be applied to the entire drum. Ferrous parts used shall be treated with a suitable rust preventive finish or coating to avoid rusting during transit or storage.

On the flange of the drum, necessary information such as project title, manufacturer's name, type, size, voltage grade of cable, length of cable in meters drum no, cable code, BIS certification mark, gross weight etc. shall be printed. An arrow shall be printed on the drum with suitable instructions to Show the direction of the drum.

GTP

S No	Description	UGVCL Requirement						
	NAME OF MANUFACTURER							
1	Size of the cable	4C X 10	4C X 16	4C X 25	4C X 50	4C X 95	4C X 120	4C X 240
2	Rated Voltage	1.1 kV						
3	Standard Referred							
4	Conductor	Aluminium as per Class-2 of IS: 8130						
5	Nominal Cross Section Area	10	16	25	50	95	120	240
6	No of wires/DIA	1/7	6	6	6	15	15	30
7	Shape of Conductor	Solid / Stranded Non-		Stranded Compacted Shaped				



Uttar Gujarat Vij Company Limited

CIN - U40102GJ2003SGC042906
(A subsidiary of Gujarat Urja Vikas Nigam Limited)

TENDER NOTICE No:- UGVCL/PROJECT/RDSS/ARVALLI/096

		Compacted Circular						
8	Insulation							
	Material	XLPE						
	Nominal Thickness	.70	.70	.90	1.00	1.10	1.20	1.70
	App. Dielectric strength							
	Suitability with regard to temperature, moisture, acid, oil and alkaline surrounding	YES						
9	Inner Sheath							
	Material	PVC Type ST-2 as per IS: 5831; Options: FR Type/FRLS Type						
	Minimum thickness of sheath (mm)	.30	.30	.30	.30	.40	.50	.60
10	Armouring							
	Material & Type	Single Layer of Galvanized Steel Round Wire / Flat Strip						
	Nom.dia/dimen of armour wires/Strips in mm	N/A		4 X 0.80mm				
11	Outer sheath							
	Material	PVC Type ST-2 as per IS: 5831; Options: FR Type/FRLS Type						
	Minimum thickness of sheath (mm)	N/A	1.40	1.40	1.56	1.56	1.72	2.36
12	Approx. overall dia of Cable (in mm)	N/A	20	22	28	35	39	54
13	Method of core identification	By colour coding (Red, Yellow, Blue & Black)						
14	Electrical Properties: -							
	Maximum d.c. resistance of conductor at 20° C (Ohm/Km)	3.08	1.91	1.20	0.641	0.320	.253	.125
	Maximum permissible conductor temperature(°C) under full load	90° C for XLPE insulation						
	Rated voltage	1.1 kV						
	Maximum operating voltage	1.1 kV						
	Permissible voltage variation	±10%						
	Rated frequency	50HZ						
	Permitted frequency variation	±5%						
	Approx. Conductor A.C.Resistance at 90 °C	5.90	2.44	1.54	0.820	0.411	0.325	0.162
	Reactance of Cable at 50 Hz (Approx.)	0.16	0.18	0.20	0.24	0.29	0.29	0.31
	Normal Current Rating	67	70	96	142	221	257	326
	Short Circuit Current	0.940	1.50	2.35	4.70	9.00	11.30	22.60

Additional Technical Specification for TENDER NOTICE No:- UGVCL/PROJECT/RDSS/ARVALLI/096

Signature of Tenderer
Place:

Company's Round Seal
Signature of Tenderer

Page 66 of 176
Date:



Uttar Gujarat Vij Company Limited

CIN - U40102GJ2003SGC042906
(A subsidiary of Gujarat Urja Vikas Nigam Limited)

TENDER NOTICE No:- UGVCL/PROJECT/RDSS/ARVALLI/096

Rating for 1 Second Duration in K amps								
---	--	--	--	--	--	--	--	--

TECHNICAL SPECIFICATION OF JOINTS FOR 1.1kV XLPE ALUMINIUM / COPPER POWER CABLES

1 Scope

This specification covers design and manufacturing, supply and jointing of cable joints suitable for 1.1kV Armored PVC/XLPE Al/Cu Conductor Cables.

2 Service Conditions:

Equipment to be supplied against this specification shall be suitable for satisfactory continuous operation under the following tropical conditions.

- Maximum ambient temperature of air: 50°C
- Maximum temperature of air in shade: 4°C
- Maximum daily average ambient temperature: 40°C
- Maximum yearly average ambient temperature: 30°C
- Relative Humidity: up to 95%
- Average number of thunder storm days per annum: 15
- Maximum annual Rainfall: 150cm

Additional Technical Specification for TENDER NOTICE No:- UGVCL/PROJECT/RDSS/ARVALLI/096

Signature of Tenderer
Place:

Company's Round Seal
Signature of Tenderer

Page 67 of 176
Date:

TENDER NOTICE No:- UGVCL/PROJECT/RDSS/ARVALLI/096

- h) Maximum Altitude above mean sea level: 1000Meter
- i) Maximum Wind Pressure: 150 Kg/cm² (As per IS 802 latest code)
- j) Maximum soil temperature at cable depth: 30° C
- k) Maximum soil thermal resistivity: 150° C cm/watt

3 General Technical Requirements: -

- i. The accessories shall be supplied in kit form. Each component of the kit shall carry the manufacturer's mark of origin.
- ii. The supplied joint shall have a range taking feature.
- iii. The kits must have unlimited shelf life.
- iv. The insulating tubing over the connector should be Dual Wall design sleeve with entrapped lubricant.
- v. Type tests should have been carried out to prove the general qualities and design of a given type of jointing system. The sleeve shall be tested for ANSI C1191.1-1986 or equivalent standard. Type Test Report for the same shall be submitted along with offer.
- vi. The installation of joint shall be done without use of special tools like crimping tool.
- vii. Conductor connection shall be achieved by use of connectors with pre-defined shear off bolt head design. The connector should be range taking which can be used for both copper & Aluminium cables.
- viii. Armour Connectivity shall be maintained by using Tinned copper braid.
- ix. Armour Wrap to be provided for mechanical protection of joint body.
- x. The design of joint shall be such that on completion of joint the cable can be charged immediately.

4 Marking & Labeling.

As per the IS 13573 (Part-I&II):2011 all kits shall be marked and labeled suitably for identification.

- a. Manufacturer's name or logo and the name of components wherever feasible;
- b. Type of jointing materials, the application;
- c. Batch number(s), where relevant;
- d. Product reference;
- e. Defined storage conditions and expiry date, if any;
- f. If relevant, the manufacturing date;
- g. Health and safety marking and handling instructions, where relevant; and
- h. Reference to compliance with this standard.

5 Tests

(I) TYPE TESTS

The Jointing Kit offered, shall be fully type tested at NABL Lab as per the relevant standards. The tenderer shall furnish the type test reports along with the offer. Offer without Type test reports will not be considered. For any change in the design/type, already type tested and the design/type offered against this specification the purchaser reserved the right to demand repetition of type tests without any extra cost in presence of purchaser' representative.

TYPE TEST SEQUENCE

The type test shall be carried out as per the test sequence given in IS 13573/2011(Part -I, II & III)

TENDER NOTICE No:- UGVCL/PROJECT/RDSS/ARVALLI/096

(II) ACCEPTANCE & ROUTINE TESTS:

All acceptance and routine tests as stipulated in the relevant standards shall be carried out by the supplier in presence of purchaser's representative. The purchaser reserves the right to insist for witnessing the acceptance/routine testing of the bought-out items.

(III) ADDITIONAL TESTS:

Additional test to be carried out in GUVNL'S Lab are Volume Resistivity, B.D.V., Tensile & Elongation etc. Supplier may depute his representative for witnessing the test conforming the date from relevant GUVNL'S Lab.

(IV) PRE-DESPATCH INSPECTION

All acceptance tests and inspection shall be carried out at the place of manufacturer unless otherwise specially agreed upon the manufacturer and purchase at the time purchase. Manufacturer shall offer to the inspector representing the purchaser, all the reasonable facilities, free of charge, for inspection and testing to satisfy him that the material is being supplied in accordance with this specification. The GUVNL representative/Engineer attending the above test will carried out testing for suitable number of cable joints/terminations as per sampling procedure laid down in IS:13573(Part-I, II, III):2011 (amended up to date) and issue test certificate approval to the manufacturer and give clearance for dispatch. The cable jointing/termination kit shall be sealed after the inspection.

(V) INSPECTION AFTER RECEIPT AT STORES

For Random sample testing (RST) the sample Cable Termination/jointing kit will be drawn from any one of the store.

(VI) DEMONSTRATION & TRAINING:

The purchaser reserves the right to ask for demonstration of the equipment offered at the purchaser's place. The Tenderer shall arrange for demonstration of installation of jointing/termination kits free of cost for giving training to purchaser's representative to get acquainted with the jointing method. The jointing/termination kit along with required length of the kits to be used for demonstration purpose shall be specified the cable will be provided by the Purchaser.

(VII) GUARANTEE

The Kits shall be suitable for storage without deteriorating at a temperature up to 50degree Celsius under normal conditions of storage and shall have unlimited shelf storage life. The tenderer shall guarantee the installed cable accessories for a minimum period of not less than 5 years from the date of installation. The stores/materials found defective within the above guarantee period, shall be replaced by the supplier free of cost within one month of receipt of intimation.

(VIII) QUALITY CONTROL

The purchaser has a right to send team of experienced Engineers for assessing the capability of the firm for manufacturing and testing of Cable jointing kit as per this specification. The purchaser representative should be given all assistances and cooperation for inspection and testing at the bidder's work.

(IX) QUALITY ASSURANCE PLAN

The tendered shall invariably furnish QAP along with his offer, The QAP adopted by him in the process of manufacturing shall be consist of List of Plant and Machinery available at the manufacturers premises. List of Testing equipment's available at the manufacturers premises with their calibration schedule.

(X) PACKING

The Cable jointing kits shall be suitably packed to avoid damage or disturbance during transit or handling. Each Cable jointing kits may be suitably packed in the first instance to prevent ingress of moisture and dust and then placed in a cushioned

TENDER NOTICE No:- UGVCL/PROJECT/RDSS/ARVALLI/096

carton of a suitable material to prevent damage due to shocks during transit. The lid of the carton may be suitably sealed. A suitable number of sealed cartons may be packed in a case of adequate strength with extra cushioning if considered necessary. The cases may then be properly sealed against accidental opening in transit.

The following information shall be furnished with the consignment:

- Name of consignee
- Details of consignment
- Destination
- Total Weight of consignment.
- Sign showing upper / lower side of the crate
- Sign showing fragility of the material.
- Handling and unpacking instructions.
- Bill of Materials indicating contents of each component and spare materials.
- Installation instructions including drawing or other information specific to the accessories.

6 GTP FOR LT CABLE ACCESSORIES i.e. JOINTS & TERMINATIONS (Heat Shrinkable)

Sr. No.	Particulars	GUVNL Requirement	Bidder Offer.
1	Manufacturer' Name& Address		
2	Brand Name &Country of Origin		
3	Kit Storage Temperature	50° C max	
4	Voltage Grade	1.1kv	
5	Applicable Standards	Indicated in Cl.No.4 of Technical Spec.	
6	Material to be used	Polymeric Heat shrink tubes.	
7	Type of Kit Offered	1)Straight through Joint. 2)Transition joint. 3)Termination joint.	
8	Shelf life of components in the kit	Unlimited.	
9	Time Required for energization after completion of termination/joint.	Immediate.	

Additional Technical Specification for TENDER NOTICE No:- UGVCL/PROJECT/RDSS/ARVALLI/096

Signature of Tenderer
Place:

Company's Round Seal
Signature of Tenderer

Page 70 of 176
Date:



Uttar Gujarat Vij Company Limited

CIN - U40102GJ2003SGC042906
(A subsidiary of Gujarat Urja Vikas Nigam Limited)

TENDER NOTICE No:- UGVCL/PROJECT/RDSS/ARVALLI/096

10	Impulse withstand on Low voltage kits.	As per IS 13573 joints classification for cable size less than 50sqmm.it will be 8kv & for cable size more than 50sqmm.it will be 20kv	
11	Heating cycle in Air	As per IS-13573 part-I See 8.3	
12	Heat Cycle in Water(Over sheath damage)	As per IS-13573 part-I See 8.3	
13	Insulation resistance(Immersed)	As per IS-13573 part-I See 8.4	
14	Insulation resistance(Air)	As per IS-13573 part-I See 8.4	
15	Impact at ambient temp.	As per IS-13573 part-I See 8.5	
16	AC High voltage withstand(In Air)	As per IS-13573 part-I See 8.6	
17	AC High voltage withstand(immersed)	As per IS-13573 part-I See 8.6	
18	Examination of joint.	As per IS-13573 part-I See 8.8	
19	Dielectric Strength for insulating Tube.	12kv/mm	
20	Dielectric constant for insulating tube	3.5(min)	
21	Tensile strength for insulating tube	8N/mm ²	
22	Ultimate Elongation for insulating tube	200 to 500%	
23	Water Absorption for Insulating Tube	0.3%	
24	Longitudinal Change for insulating tube	+10%	
25	Heat Shock for insulating tube	30min@2000c,	
26	Flammability for insulating tube	pass	
27	Heat Shrink Outer insulating tubes	As per specification (clause no.5.01& 5.02)	
28	G.I. Wire mesh / Canister	As per cable size	
29	Red mastic	As per cable size	
30	G.I. Solid Collet	As per cable size	
31	Earthing Conductor	As per requirement	
32	Ferrule	As per specification (clause no.5.01&5.02)	
33	PVC NA Tape	As per requirement	
34	PVC Adhesive Tape	As per requirement	
35	Cleaning Liquid	As per requirement	
36	Aluminum Oxide cloth	As per requirement	
37	Heat shrink break boot(Termination)	boot(Termination) As per specification (clause no.5.02)	
38	List Of Contents Of Kit (To Be Furnished Separately)	Detailed component list with Quantity etc.	

Additional Technical Specification for TENDER NOTICE No:- UGVCL/PROJECT/RDSS/ARVALLI/096

Signature of Tenderer
Place:

Company's Round Seal
Signature of Tenderer

Page 71 of 176
Date:

TECHNICAL SPECIFICATION FOR MINI SECTION PILLAR (MSP)

1 Scope:

This specification covers the design, manufacturing and testing of MSP with anti-corrosive, dust proof, rust proof, shock proof, self-extinguishing property, resistant to heat, vermin & water proof, Ultra Violet Stabilized and pilfer resistant made from Thermosetting Plastic i.e. Glass Reinforced Polyester Sheet Moulding Compound (SMC) Confirming to IS: 13410 -1992 and attached technical specification, and IS: 14772-2000 with SMC HRC fuse base confirming to IS:13703/1993 (Pt. I & II amended up to date) and other relevant IS.

The equipment offered shall be complete with all parts necessary for their effective and trouble-free outdoor operation. Such parts will be deemed to be within the scope of the supply irrespective of whether they are specifically indicated in the commercial order or not.

It is not the intent to specify herein complete details of design and construction. The equipment offered shall conform to the relevant standards and be of high quality, sturdy, robust and of good design and workmanship complete in all respects and capable to perform

TENDER NOTICE No:- UGVCL/PROJECT/RDSS/ARVALLI/096

continuous and satisfactory operations in the actual service conditions at site and shall have sufficiently long life in service as per statutory requirements.

In these specifications, the design and constructional aspects, including materials and dimensions, will be subject to good engineering practice in conformity with the required quality of the product, and to such tolerances, allowances and requirements for clearances etc. as are necessary by virtue of various stipulations in that respect in the relevant ISO, IEC, BS, IS standards and other statutory provisions.

2 Service Conditions:

Equipment to be supplied against this specification shall be suitable for satisfactory continuous operation under the following tropical conditions.

- a) Maximum ambient temperature of air: 50° C
- b) Maximum temperature of air in shade: 4° C
- c) Maximum daily average ambient temperature: 40° C
- d) Maximum yearly average ambient temperature: 30° C
- e) Relative Humidity: up to 95%
- f) Average number of thunder storm days per annum: 15
- g) Maximum annual Rainfall: 150cm
- h) Maximum Altitude above mean sea level: 1000Meter
- i) Maximum Wind Pressure: 150 Kg/cm² (As per IS 802 latest code)
- j) Maximum soil temperature at cable depth: 30° C
- k) Maximum soil thermal resistivity: 150° C cm/watt

3 Technical Parameters:

The L.T Feeder Pillar Panel shall be designed as following: -

Sl. No	Parameter	Value
1	Rated Supply Voltage	433 volts +/-10%
2	Number of Phases & Frequency	3 phase 4W50 Hz
3	Rated Current	as per Single line diagram/BOQ
4	Neutral	Solidly Grounded
5	Location of panel	Outdoor on M.S Channels fixed on RCC Plinth
6	Thickness of SMC Sheet for cabinet mm	3.15MM
7	Bus bar material	Tinned Cu bus bar

4 Applicable Standards:

All equipment and material shall be designed manufactured and tested in accordance with the latest applicable IEC standard or IS standard except where modified and / or supplemented this specification.

TENDER NOTICE No:- UGVCL/PROJECT/RDSS/ARVALLI/096

Title	IEC Standard	IS / Other Standard
Low-voltage switchgear and control gear	IEC:60947 (Part-1,2,3)	IS: 13947
Low-voltage switchgear and control gear assemblies	IEC:60439 (Part-2)	-do-
General Requirements for Enclosures for Accessories for Household and Similar Fixed Electrical Installations		IS 14772
Glass reinforced polyester sheet moulding compounds (SMC)		IS 13410
LV Fuses for voltages not exceeding 1000 V ac or 1500 V dc,		IS 13703
MCBs	IEC 60898	IS: 8828

5 General Technical Requirements:

- The minimum size of box without rain hood shall be 820(H)x 525(W)x400(D) mm. and with rain hood shall be 1370(H) x 735 (W) x 516 (D)mm. The thickness of SMC sheet for enclosure and door is minimum 3.15 mm.
- MSP shall be of Grade S-3 SMC material MSP shall be moulded in a single piece forming the body of the MSP with a cover fitted with base by minimum three nos. concealed stainless steel hinges. The lid/cover shall rest on the collar of the MSP base in such a way that any access from outside is not possible. The stainless steel hinges shall be fitted with the MSP body base and covers rigidly, thereby making the MSP pilfer resistant.
- The door in closed position should be overlapped in such a manner that no direct entry or access is possible. The MSP shall be closed by minimum two nos hinges per door. Minimum 50 mm length of strip having thickness not less than 1.2 mm for holding and locking of the door with body base.
- The door shall open at 90 degrees (Min.). The top surface of box shall have little tapering shape towards both sides of the distribution box for easy flow of rainwater.
- Earth bolt of 12 mm diameter X 20 mm. length with 2 nos. nuts, 2 nos. washers and 1 no. spring washer shall be provided. The earthing arrangement shall be of M.S. with Zinc passivation. All corners of the MSP should be round & not pointed ones. All metal parts shall be zinc passivated.
- The MSP should have one no of 400 Amp three phase and neutral incoming circuit HRC SMC fuse base and appropriate size of lugs filled with 50X6 mm copper bus bar and six (6) nos of outgoing circuit.
- Anodized aluminum operating instructions in GUJARATI shall be fixed inside the door. The letter should be cleared legible and readable. The letters of the instructions should be of sufficient size to read with normal eye.
- The MSP should have Bus bar of EC grade tinned copper bus bar duly insulated of size 50x6 mm for all phase and neutral.

6 Tests

- a) The bidder shall submit type test report for complete FSP as per BS 214/1959 or IS 8623/93 and for box as per IS-14772-2000 & IS: 13410- 1992 from CIPET, Ahmedabad/ERDA, Baroda or NABL accredited lab. for the box as well as TPN switch disconnecter fuse & SMC fuse base along with the offer. Type Test Certificate should not be older than 7 years as on the date of tender opening.
- b) **ROUTINE TEST:** Manufacturer has to carryout routine test during production to check the essential requirements that are likely to vary during production. Manufacturer has to keep records of the same and to be produced for verification of inspector when asked at the time of inspection of lot.
- c) **TYPE TEST (For SMC box):**
From the offered lot sample may be picked up at discretion of purchaser for type test at CIPET, Ahmedabad/ERDA, Baroda or NABL accredited lab for each lot offer. The charges for the type test shall be borne by bidder. On passing the type test successfully, the lot shall be accepted. In case, the boxes are not confirmed to type test, another sample from the lot shall be selected and the tested again. On receipt of unsatisfactory results, the lot shall be rejected and new lot shall be offered for inspection keeping aside old lot offered and rejected earlier by the Company. However, Company reserves the right to accept the boxes by levying penalty as per description of the company.
- d) **TYPE TEST (For Isolator/box):**
Type test reports not more than 7 years old from the date of tender from Government approved and NABL accredited lab.
1) Type Test for complete FSP as per BS214/1959 or IS8623/93.
- e) **ACCEPTANCE TESTS:**
The bidder should have all the testing facilities at their works & shall offer testing as under. Following acceptance tests shall be carried out, on 2% of the offered quantity on sample boxes selected at random, while inspecting the lot of materials offered.
- Visual examination
 - Verification of dimensions as per approved drawings.
 - Verification of fittings
 - HV test at 5.2 (3.5*1.5) KV for Bus bar, 11KV for SMC material of Box.
 - Insulation resistance test with 2.5KV DC megger of each box.
 - Temperature rise test in accordance with relevant IS for the rated capacity of Switch disconnecter fuse.
 - Earth continuity checking test.
 - 10 Operations test on SMC HRC fuse base & fuse link.

Note: UGVCL reserve the right to select one sample from whole tender quantity and will send Govt. approved/ NABL accredited lab, for complete acceptance test of all material. Cost of the same is to be paid by contractor.

7 Drawing & Calibration of Instrument:

The tenderer shall submit detailed constructional and dimensional drawing of complete FSP details of Units and TPN switch Disconnecter fuse, incoming and outgoing circuit, Louvers details, clearance details along with the offer.

- (a) The firm has to submit list of testing equipment's instruments, stating Sr. No., Make, Capacity, date of last calibration along with test certificate of each instrument along with the offer, same is also required to be provided to inspecting officer at the time of prototype inspection as well as regular lots. The calibration shall be either from original manufacturer of the equipment's / instruments or from Government approved laboratory.

TENDER NOTICE No:- UGVCL/PROJECT/RDSS/ARVALLI/096

8 Proto Type:

The successful tenderer shall have to offer 1 No. Prototype FSP for carrying out tests mentioned at specification clause No. e (acceptance test) at their works or at Government approved Laboratory, where no adequate testing facility is available at firm's work in presence of UGVCL's representative. In case of brought out items like SMC HRC Fuse Units, Disconnecter switch the same have to be either tested at firm's work or at the works of original manufacturer or at Government approved / recognized laboratory in case of non-availability of adequate testing facility either at firm's works of original manufacturer. However, all the testing expenditures of prototype sample testing. Acceptance tests for routine inspection of lots will be borne by the firm only after successful passing of the prototype unit in all the tests and after obtaining the written approved from the competent authority of UGVCL for prototype box and drawing approval, the firm can commence bulk manufacturing of the ordered boxes. The expenses towards prototype test including visit of our Engineers (2 Nos.) other than your works shall be borne by the bidder.

9 Raw Materials:

Test certificate for the material used in the lot offered and document for purchase of raw material should be maintained by manufacturer and produced to inspector as and when required.

10 Facility:

The bidder shall have facility to test the box for routine tests and acceptance as per IS - 14772: 2000 and IS - 13410 & UGVCL's specifications at their works. The bidder has to submit list of Machinery & Equipment / Testing instruments etc. along with the offer.

11 Inspection & Testing:

During the inspection manufacturer will offer all facilities to inspector without any charge.

12 Dispatch:

The FSP shall be dispatched duly packed so as to ensure that no damage occurs during transport.

13 Guarantee:

If the goods, stores and equipments found defective due to bad design or workmanship the same should be repaired or replaced free of charge if reported within 24 months from the date of commissioning of equipments. Supplier will be responsible for the proper performance of the equipments materials for the respective guarantee period.

14 GTP

The vendor shall furnish all necessary guaranteed technical particulars in the prescribed Performa enclosed hereinafter.

Sr. No	Particulars	Particulars to be offered by Bidders
1	Name of Trade mark of Manufacturer	
2	Type of L.T. pillar	
3	Rated normal Voltage	3 phase, 440 Volt, 50Hz
4	Material of construction of L.T. Pillar enclosure and doors	Grade S-3 SMC material
5	Thickness of SMC sheet for enclosure	3.15 mm
6	Thickness of SMC sheet for door	3.15 mm
7	Colour of L.T.Pillar of enclosure	
8	Dimension of cubical without rain hood-width x depth x height mm.	820(H)x 525(W)x400(D) mm minimum

TENDER NOTICE No:- UGVCL/PROJECT/RDSS/ARVALLI/096

9	Dimension of cubical with Rain hood- width x depth x height of (in mm).	1370(H) x 735 (W) x 516 (D)mm.
10	Fibre glass reinforce Plastic sheet moulding compound	
A	Material	Grade S-3 SMC material (Thermostatic Plastic)
B	Grade of Material	SMC as per IS -13410-1992
C	Grade of material for frame	FRP pultruded section as per IS 6746
D	Heat deflection temperature	(as per IS 13411) min 150o C
E	Exposure to flame	(ref. std. IS 4249) Self-extinguishing
F	Melting point	(ref std IS 13360) Does not melt
G	Fibre glass reinforcement	(Min 20%)
H	Density of fibre glass material	(450 gm/sq mtr)
I	Maximum permissible temperature	(≥ 90° C)
J	Door material (UV resistance and salty and humid atmosphere)	Grade S-3 SMC material
K	Insulation Resistance	(As per ASTM D257)
L	Specific Gravity	as per IS:10192 of SMC material (1:8)
M	Dielectric Strength	
N	Tensile Strength	70MPa
O	Cross Breaking Strength	as per ASTM D790 (1723 Kg/sq.cm)
P	Shear strength	as per ASTM D732 (879 Kg/sq.cm)
Q	Ball pressure Test	as per IS:335
R	Water Absorption	as per IS:14772
S	Mechanical strength	as per IS:14772
11	Hinges	
a	Hinges: Type	stainless steel hinges
b	Hinges: Length	50mm
c	Hinges: Thickness of material	not less than 1.2 mm
d	Hinges: Pin diameter	Min 4mm
e	Number of hinges per door	two
12	Type of locking arrangements	“Godrej” type triple position locking arrangement and shall be operational with a common handle from outside the door
13	Number of padlocking arrangements	2 Nos.
14	Size of ventilating louvers with wire mesh	Four Louvers (two on each side)
15	Details of painting	anti-corrosive high-quality paint
16	Dimension and details of asbestoses sheets	Asbestos sheet of at least 6mm thick shall be provided for separation between front and rear compartments
17	Dimension and details of Bakelite sheets	at least 50 x 12mm shall be provided to support and take care of weight of cables, jointing etc.
18	Dimension and details of gland plates	Suitable no. of detachable gland plates

Additional Technical Specification for TENDER NOTICE No:- UGVCL/PROJECT/RDSS/ARVALLI/096

Signature of Tenderer
Place:

Company's Round Seal
Signature of Tenderer

Page 77 of 176
Date:



Uttar Gujarat Vij Company Limited

CIN - U40102GJ2003SGC042906
(A subsidiary of Gujarat Urja Vikas Nigam Limited)

TENDER NOTICE No:- UGVCL/PROJECT/RDSS/ARVALLI/096

		made up of 10 SWG MS sheets/SMC material shall be provided in the cubicle at the bottom
19	Bus Bar, Fuse Base & fuse Link	50 x 6 mm
a	Size of bus bar Size of neutral bus bar	50 x 6 mm
b	Grade and specification of material of Bus bars	IS: 5082/1998
c	Rated normal current of bus bars	
d	Rated safe temperature of bus bars	
e	Make and Type of Fuse base assembly	
f	Grade and specification of material of Fuse base contacts	IS: 13703/1993
g	Thickness and dimensions of contacts of fuse base	
h	Rated normal current of Fuse base	
i	Rated safe temperature of Fuse base	
j	Grade and specification of material of Fuse links	IS/IEC 127-2: 1989
k	Make and Type of Fuse link	
l	Rated normal current of Fuse link	
m	Rated safe temperature of Fuse link	
n	Grade and specification of material of spring steel round	IS: 6005/1998
o	Dimension of steel spring round	spring ring shall be made out of at least 6 mm dia
20	Make & Type of bimetallic lugs	
21	One Minute P.F Withstand voltage	
22	Rated short time current	
23	Rated temperature rise	
24	Size Thickness of Bakelite sheets provided	
25	List of tests conducted on similar equipment	
26	List of copies of test certificate enclosed	

TECHNICAL SPECIFICATION M.S. CHANNEL, ANGLE AND FLAT ETC

1 Scope:

This specification covers manufacture, transport to site, insurance, storage, erection and commissioning of different type MS structures required to installation of the RMU & Distribution transformer structure suitable for Underground Distribution System.

2 Applicable Standards:

The mild steel shall conform to IS: 2062 grade 'a' modified up-to date or equivalent international standard for steel materials, documents for which shall be made available at the time of inspection to the owner's representative.

3 General Requirements:

Material shall be supplied as per the following sizes:
Channel ISA Angles and flats confirming (Not re-rolled) of grade "A" E250 (Fe-410WA) should be supplied confirming to IS 2062 / 2011 with latest amendment if any.

TENDER NOTICE No:- UGVCL/PROJECT/RDSS/ARVALLI/096

4 Galvanization:

All above steel members shall be fabricated as per approved drawing having smooth edge, drilled circular/elliptical holes of suitable measurements.

All structural steel members and bolts shall be galvanized as per IS:4759 and zinc coating shall not be less than 610gm/sq. meter for all structural steel members. All welds shall be 6mm filled weld unless specified otherwise. All nuts and bolt shall be of property class 5.6 of IS 1367. Plain washers shall be as per IS 2016 and spring washers shall be IS:3063.

5 Tests:

All tests will be carried out by representative of owner.

All tests and inspection shall be made at the place of manufacturer unless otherwise specially agreed upon by the manufacturer and the owner. The manufacturer shall provide all reasonable facilities, without charge to satisfy him that the material is being supplied in accordance with the specification.

TECHNICAL SPECIFICATION FOR FRP FENCING

1 Scope:

This specification covers the basic requirement for the complete design, manufacture, fabrication, testing and inspection at manufacturer's works, packing, supply and Installation of Insulating type FRP Fencing for safety with necessary hardware, accessories, fittings, etc. for Distribution Transformer Stations/RMU/Package Substations.

2 Service Conditions:

The equipment to be supplied against this specification shall be suitable for satisfactory continuous operation under the following tropical conditions.

- a) Maximum ambient temperature of air: 50°C
- b) Maximum temperature of air in shade: 4°C
- c) Minimum ambient temperature of air: 3.5°C
- d) Maximum daily average ambient temperature: 40°C
- e) Maximum yearly average ambient temperature: 30°C

TENDER NOTICE No:- UGVCL/PROJECT/RDSS/ARVALLI/096

- f) Relative Humidity: up to 95%
- g) Average number of thunder storm days per annum: 15
- h) Maximum annual Rainfall: 150cm
- i) Maximum Altitude above mean sea level: 100Meter
- j) Maximum Wind Pressure: 150 Kg/cm² (As per IS 802 latest code)
- k) Maximum soil temperature at cable depth: 30 °C
- l) Maximum soil thermal resistivity: 150 °C cm/watt
- m) Iso-ceraunic level (days/year) 50
- n) Climate Moderately hot and humid tropical climate, conducive to rust and Fungus growth.

3 Applicable Standards:

All components used in the manufacture of the FRP Fencing shall confirm to the Relevant Indian standard specification and IS-6746 i.e. Unsaturated Polyester Resin System and IS 13410 Glass reinforced Sheet Moulding Compounds (SMC)

4 General Technical Requirements:

(XI) General: -

- a. The Fencing shall be antistatic and ultra violet resistant. Fencing shall be manufactured using components made in accordance with IS-6746 and IS 13410.
- b. FRP Fencing shall be made utilizing FRP Pultruded sections & SMC Pickets. FRP sections shall be made from an advanced formulation of Thermosetting Polyester Resin with Glass Fiber Reinforcement on state of art electronically controlled pultrusion technology. Manufacturing process shall be pultrusion using automated pultrusion machines. SMC Pickets from hot press compression moulded SMC confirming to IS 13410
- c. FRP Fencing shall be made of FRP and shall be corrosion resistant and fire retardant (Low flammability) in accordance with the latest IS-6746. An additive material shall be mixed with the FRP to make them resistant to ultraviolet light. FRP/SMC Flats may be used as preferred by bidder. Colour shade shall be as approved by UGVCL.
- d. The oxygen index shall be minimum 24 as per IS 6746.
- e. The minimum glass content in the FRP and SMC material shall be 45% and 20% respectively
- f. The FRP Fencing shall be free from sharp edges and corners, burns and unevenness.
- g. FRP fencing shall be supplied in completely knocked down condition and shall be of ready to use type. The fencing system shall be suitable for onsite fabrication using standard hardware and tools. The fencing shall be supplied as per BOQ agreed between supplier and purchaser.
- h. The fencing is constructed utilizing vertical post duly grouted / fitted in ground/on floor. Horizontal rails fitted to sub frame to suite onsite mounting the vertical posts, pickets fitted to rails and gate to facilitate entry and exit restriction within the covered area.
- i. FRP Pultruded Sections and SMC pickets shall have following mechanical properties

Sr. No.	Parameter	Value for Pultruded Section	Value for SMC Pickets



Uttar Gujarat Vij Company Limited

CIN - U40102GJ2003SGC042906
(A subsidiary of Gujarat Urja Vikas Nigam Limited)

TENDER NOTICE No:- UGVCL/PROJECT/RDSS/ARVALLI/096

a)	Ultimate tensile strength:	2000-4000Kg/cm ²	50 MPa
b)	Flexural strength	2000-10000 Kg/ cm ²	155 MPa
c)	Flexural modulus:	1.5-5x100000 Kg/ cm ²	N.A.
d)	Izod impact:	130Kg/cm/cm of notch	45 KJ/m ²
e)	Compressive strength:	1500-5000 kg/ cm ²	N.A.
f)	Compressive modulus:	2.5-4.5 kg/ cm ²	N. A.
g)	Bar col thickness:	50- 65	50- 65
h)	Water absorption:	<=0.6%	<=0.25%
i)	Glass Content	Min. 45%	Min. 20%
j)	Flammability	Low flammability as per IS 6746	
k)	Flame Spread (Fire propagation Index)	Less Than 15 as per BS 476 (Part 5, 6 & 7)	

j. FRP Pultruded Sections and SMC pickets shall have following Electrical Properties.

Sr. No.	Parameter	Value for Pultruded Section	Value for SMC Pickets
a)	Dielectric Strength Axial	30 - 45 kV / 25 mm	9 kV
b)	Dielectric Strength Radial	10-15 kV / 25mm	N. A.
c)	Arc Resistance	> 120 sec	> 120 sec

k. FRP Pultruded Sections fencing - Routine & Acceptance Testing Parameter shall include but not be limited to following:

Test for FRP sections

Sr. No.	Parameter	Value specified
1	Visual	As per approved drawing
2	Dimensions	As per approved drawing
3	Glass Content	Min. 45%
4	Flammability	Low flammability as per IS 6746

Test for SMC Pickets

Sr. No.	Parameter	Value specified
1	Visual	As per approved drawing
2	Dimensions	As per approved drawing
3	Glass Content	Min. 20%
4	Flammability	Low flammability as per IS 6746

Construction of FRP: -

• **Vertical Posts:**

The vertical post shall be made out of FRP Pultruded square hollow section of size 50x50x5 mm. Such posts shall be kept at a distance not exceeding 1000mm c/c except gate opening and shall be grouted in the ground with c.c. of ratio 1:2:4 in the pit of size 300x300x450 mm. The work must be done under Supervision of concerned SDO OR Authorized staff appointed by SDO. The vertical posts shall be supplied with pre-drilled holes so as to accept Sub frame provided using hollow FRP box sections 50x25x5 mm

TENDER NOTICE No:- UGVCL/PROJECT/RDSS/ARVALLI/096

and other accessories for fixing of gates etc. The length of vertical post shall be sufficient to take care of grouting, depth i.e. underground and height of fencing above the ground. Post should be buried in foundation at least 450mm from ground level. Posts at corners and gate openings may be of different size/shape so as to take care of the fencing requirements.

- **Rails**

Rails shall be made out of FRP notch bars of 12 mm dia. provided at equal spacing not exceeding 200 mm Centre to Centre as shown in drawing. The rails are placed horizontally and height of the 1st rail from the ground as well as gap between the rails shall be maintained as detailed in the approved drawing.

- **Pickets:**

Pickets shall be made of flats of size 35x5 mm SMC or FRP provided at equal spacing not exceeding 100 mm Centre to Centre mechanically locked between vertical post as well as top and bottom member of sub frame as shown in the drawing. Pickets shall be pre-drilled to facilitate fixing on the rails. Dimensions of the sections utilized (vertical post, rail, picket), length of those sections (height of fencing), gate openings, corner posts and the perimeter as well as shape of area to be covered by fence shall be as per the drawing and shall be as mutually agreed between the supplier and purchaser by way of issue of approved drawing. The fencing Material of Construction (MOC) shall conform to the IS: 6746 and/ IS 13410 as applicable and the fabricated, installed fencing shall confirm to the approved drawing.

- **Fencing Gate:**

Fencing gate should have door with two shutters with one Heavy duty S.S. aldrap of size not less than 16 mm Dia and 350 mm length. Gate is to be provided as per site conditions. General arrangement and layout of fencing is shown in schematic drawing.

- **Danger Board:**

Danger Board of size 300X300 mm (1.6 mm thick M.S. Plate) is to be provided on left hand side of fencing with standard drawing as attached herewith. Danger Board should have letter writing pattern and size as per drawing.

Other Conditions:

- a. At top the whole fencing shall be tied with FRP Angle section 50x50x5 to provide suitable stiffness. Angle section should be openable across gate.
- b. Hardware for fixing / assembling shall be of stainless steel.
- c. Gate should be suitably stiffened to prevent sagging. 3nos. of Hinges of 100 mm size on each door and shall be of heavy duty S.S. and facilitate of outward 180 degree movement of the gate flaps.
- d. Left door of gate should be provided with stopper of 300 mm and Dia. Of 10 mm at upper and lower part of fencing with proper locking arrangement.
- e. Transformer fencing erection should be done according to site situation and as per instruction of engineer in charge of sub division office.
- f. Supporting bracing flat size SMC molded / FRP Flat 35 x 5mm and length 300 mm are to be provided in each corner on top and bottom frames of fencing and on each shutter of door.
- g. Grouting Roads of M. S. With Dia. of 12mm and 250 mm long at each Vertical Post are to be provided as shown in Drawing.

TENDER NOTICE No:- UGVCL/PROJECT/RDSS/ARVALLI/096

- h. Payment of bill will be based on running meter measured during joint measurement with engineer in charge.

DRAWINGS AND DOCUMENTATION:

- a) The successful bidder shall submit sketches for each location of the FRP Fencing and get the same approved at concerned Division office before commencement of supply. The indicative schematic drawing is enclosed herewith.
- b) The tenderer shall furnish all details and clarifications required if any for scrutiny and evaluation of the offer.
- c) Manufacturing of material to be supplied shall be done strictly as per approved drawing.
- d) Approval of drawing shall not absolve the supplier of his liability for ensuring correctness according to applicable standards & regulations.

5 Tests:

All the Type Tests shall be carried out from reputed Laboratories which are accredited by the National Board of Testing and Calibration Laboratories (NABL) of Govt. of India or accepted by UGVCL. Test Reports submitted by Labs such as CPRI, ERDA, ERTL, CIPET, Fire Research Laboratory (FRL) of CBRI Roorkee shall be accepted to prove that the FRP Pultruded Sections meet the requirements of specification. Type Test Reports conducted in manufacturers own laboratory and certified by testing institute shall not be acceptable. The FRP Pultruded Sections used in FRP Fencing shall be fully type tested for Mechanical and Electrical Properties. Attested copies of Type Test Reports are to be submitted.

6 Testing & Manufacturing Facilities:

- a) The Bidder/manufacturer shall have necessary machinery for production of FRP Pultruded Sections using Automated Pultrusion Machines as well as SMC material and SMC hot press compression molding Machines if SMC is intended to be used for FRP Fencing.
- b) Manufacturer should have in house testing facilities for carrying out the routine and acceptance tests. Each Lot dispatched should be tested in house and test report should be submitted to UGVCL.
- c) Supplier shall be responsible for packing, transporting and delivery to the consignee.

7 GTP

Sr. No.	Description	Requirement	Supplier Remark
1	Vertical Post (Pultruded FRP)	Box section of 50 x 50 x 5mm @ max 1000 mm c/c & corners	YES/NO
2	Sub frame section	FRP Box section of 50 x 25 x 5mm	YES/NO
3	Rail	FRP Rod Dia. 12mm @ 200mm c/c with notch and keys to lock pickets.	YES/NO
4	Pickets	SMC molded / FRP Flat 35 x 5mm Thick @ 100 mm c/c	YES/NO
5	Bracing Flat	SMC molded / FRP Flat 35 x5mm and length 300 mm	YES/NO



Uttar Gujarat Vij Company Limited

CIN - U40102GJ2003SGC042906
(A subsidiary of Gujarat Urja Vikas Nigam Limited)

TENDER NOTICE No:- UGVCL/PROJECT/RDSS/ARVALLI/096			
6	Heavy Duty S.S. Aldrop	Not less than 16 mm Dia. And 350 mm Long	YES/NO
7	Grade of Material for Fencing	Pultruded FRP - UV and Fire Resistant conforming to IS 6746	YES/NO
8	Type Test Certificate For Material	Refer Respective Clause of Technical Specifications	YES/NO
9	Size of the fencing	HEIGHT: 1600 MM (1500+100 mm) above ground and 450 mm in ground; minimum Width and Length as per site conditions and as decided by EIC (Engineer In-charge).	YES/NO

UGVCL will take random samples from the material supplied and subject them to tests in Government approved laboratories. The material should stand these tests and if the materials do not stand these tests, they will summarily be rejected and the supplier should make immediate arrangement to replace them with standard material only after getting them duly inspected.

UGVCL also reserves the right to accept the whole or part of such supplies or of the utilized material and recommend reduced prices taking into account the defects noticed. Such reduction for the whole lot will be maximum up to 30% (Thirty) of the end cost price, provided UGVCL accepts the material. In this respect, the decision of the UGVCL will be final and will be binding on the supplier.

TECHNICAL SPECIFICATION FOR DWC HDPE PIPES

1 Scope

This Specification covers design, manufacturing, testing, packing, supply of DWC HDPE Pipe.

2 Service Conditions:

Equipment to be supplied against this specification shall be suitable for satisfactory continuous operation under the following tropical conditions.

- a) Maximum ambient temperature of air: 50° C
- b) Maximum temperature of air in shade: 4° C
- c) Maximum daily average ambient temperature: 40° C
- d) Maximum yearly average ambient temperature: 30° C
- e) Relative Humidity: up to 95%
- f) Average number of thunder storm days per annum: 15
- g) Maximum annual Rainfall: 150cm
- h) Maximum Altitude above mean sea level: 1000Meter

TENDER NOTICE No:- UGVCL/PROJECT/RDSS/ARVALLI/096

- i) Maximum Wind Pressure: 150 Kg/cm² (As per IS 802 latest code)
- j) Maximum soil temperature at cable depth: 30° C
- k) Maximum soil thermal resistivity: 150° C cm/watt

3 Technical Parameters:

- (a) DWC high density Polyethylene pipe shall have corrugation on outer wall but inner wall shall be plain conforming to IS - 14930 Part I and II amended from time to time.
- (b) Terminology as defined in IS: 14930 shall be followed
- (c) DWC HDPE pipe to be supplied shall be 'ISI' marked.
- (d) Accessories like HDPE snap fit coupler with neoprene 'O' ring shall be part of supply to make the joints water / damp proof.

4 Code & Standards:

All standards, specifications and codes of practice referred to herein shall be the latest editions including all applicable official amendments and revisions as on date of opening of bid. In case of conflict between this specification and those (IS: Codes, standards, etc.) referred to herein, the former shall prevail.

- a) IS:14930Pt.-I: General requirements of Conduit System for Electrical and Communication installation
- b) IS:14930Pt.-II: Particular requirements of Conduit system for Electrical and Communication installation
- c) IS: 2530: Method for test for Polyethylene moulding material and polyethylene compounds.
- d) IS:7328: HDPE materials for moulding and extrusion
- e) IS:12063 : Classification of degrees of protection provided by Enclosures of electrical equipment
- f) ASTM D 1693: Test method for environmental stress-Cracking of ethylene plastics
- g) ASTM D638: Standard test method for tensile properties of plastic
- h) ASTM D790: Test method for flexural properties of Un-reinforced and Reinforced Plastics and Electrical Insulating Materials.
- i) ASTM D 2240: Standard Test method for Rubber property.
- j) ASTM D648: Standard Test method for deflection temperature of Plastic under flexure load in the Edge Wise Position.
- k) IS:11000(Pt-2): Glow-wire Test and guidance test methods for fire /Sec-1) Hazard Testing.

5 General Requirement:

General:

- i. The DWC HDPE pipe shall consist of two layers, the outer layer will be corrugated and the inner layer shall be plain and smooth.
- ii. DWC HDPE pipe shall be so designed and constructed that in normal use their performance is reliable and without danger to the user or surroundings.
- iii. When assembled in accordance with manufacturer's instruction as part of a conduit system, they shall provide mechanical protection to Signaling Cables' on tainted therein.
- iv. Within the conduit system there shall be no hardedge, burrs or surface projections which are likely to damage insulated conductors or cables or inflict injury to the installer or user.
- v. The protective properties of the joint between conduit and conduit fittings shall be not less than that declared for the conduit system.

TENDER NOTICE No:- UGVCL/PROJECT/RDSS/ARVALLI/096

- vi. The DWC HDPE pipe and fittings shall withstand the stresses likely to occur during transport, storage, recommended installation and application.
- vii. The DWC HDPE pipe shall be supplied in continuous length in coil for more straight length, suitable for shipping and handling purpose.
- viii. For conduit systems that are assembled by means other than threads, the manufacturer shall indicate whether the system can be disassembled and if, so, how this can be achieved.

REQUIREMENTS OF RAW MATERIALS USED FOR THE DWC HDPE PIPE

- i. The base HDPE resin used for the outer and inner layer of the DWCHDPE Pipe shall conform to any designation of IS: 7328 or to any equivalent standard meeting the requirements given in Table No.1, when tested as per the standards given therein. However, the manufacturers shall furnish the designation for the HDPE resin as per IS: 7328 as applicable.
- ii. The anti-oxidants used shall be physiologically harmless.
- iii. None of the additives shall be used separately or together in quantities as to impair long term physical and chemical properties of the duct.
- iv. Single pass rework material of the same composition produced from the manufacturer's own production may be used and it shall not exceed 10% in any case.
- v. The raw material used for extrusion shall be dried to bring the moisture content to less than 0.1%.
- vi. Suitable UV stabilizers shall be used only for manufacture of the nonblack colored HDPE duct to protect against UV degradation, when stored in open for minimum 8 months' period. The purchaser may ask for UV content test. The test result for UV Content test by FTIR method from any recognized laboratory shall be accepted and the Hindered Amine Light Stabilizer shall be minimum 0.15 %. UV Content test need not to be conducted in case of UV Stabilized raw material is used.

REQUIREMENT OF DWC HDPE PIPE

- i. Visual Requirement: The Pipe shall be checked visually for ensuring good workmanship that the ducts shall be free from holes, breaks and other defects. The ends shall be cleanly cut and shall be square with axis of the ducts.
- ii. Colour: The colour of the pipe viz. Green, Orange, Blue, Yellow, Brown, Violet, Grey and Red. The purchaser shall specify the colour of the duct at the time of ordering.
- iii. Dimensions: The dimensions of the DWC HDPE pipe shall be as per requirement / BOQ.
- iv. Standards Length: Duct up to 50 mm OD nominal size shall be supplied in standard length of 100 mtr. $\pm 1\%$ or 6 mtr $\pm 1\%$ and all other sizes will be supplied in standard length of 6 mtr. $\pm 1\%$
- v. Compression Strength: The conduit system shall have adequate mechanical strength. Conduits when bent or compressed either during, or after, installation according to manufacturer's instructions, shall not crack and shall not be deformed to such an extent that introduction of the insulated conductors or cables becomes difficult or that the installed insulated conductors, or cables are likely to be damaged while being drawn in. Compliance may be checked with the application of force which shall be at least 450 N, when reaching the deflection of 5%.
- vi. Impact Strength: The conduit system shall have adequate mechanical strength.
- vii. Conduits when exposed to impact either during, or after, installation according to manufacturer's instructions, shall not crack and shall not be deformed to such an extent that introduction of the insulated conductors or cables becomes difficult or that the installed insulated conductors, or cables are likely to be damaged while

TENDER NOTICE No:- UGVCL/PROJECT/RDSS/ARVALLI/096

- being drawn in. Compliance may be checked by ensuring there shall be no crack allowing the ingress of light or water between the inside and outside after the test.
- viii. Bending Strength: The conduit system shall have adequate mechanical strength. Conduits when bend either during, or after, installation according to manufacturer's instructions, shall not crack and shall not be deformed to such an extent that introduction of the insulated conductors or cables becomes difficult or that the installed insulated conductors, or cables are likely to be damaged while being drawn in. During the test sample shall not flatten Compliance shall be checked by passing a ball having a diameter equal to 95% minimum inner diameter of the sample declared by the manufacturer, through the sample whilst it is bent around the test apparatus.
- ix. Oxidation Induction Test (OIT): The OIT in a qualitative assessment of the level (or degree) of stabilization of material.
- x. Resistance to Flame Propagation: Non flame propagating ducts shall have adequate resistance to flame propagation. Samples of DWC HDPE Ducts shall be checked by applying a 1KW flame.
- xi. Anti-Rodent Properties: Safety of ducts from the direct attack of subterranean organism anti rodent material is of utmost importance. These ducts shall be evaluated for their safety against rodents before laying them in the fields.
- xii. Resistance to External Influences on DWC HDPE Duct Accessories: The accessories in Clause 11.5.4 shall be tested for external influences as per IS-12063 for ingress of dust & ingress of water. DWC Duct systems when assembled in accordance with the manufacturer's instructions shall have adequate resistance to external influences according to the classification declared by the manufacturer with a requirement of IP 67.
- xiii. Marking Identification: The conduit shall be prominently marked at regular intervals along their length of preferably 1m but not longer than 3m using indelible ink with following.
- Manufacturers name
 - Specification No.
 - Name of the duct with size
 - Lot No. of the Product
 - Date of manufacture
 - Product Length
 - Purchaser's Name/symbol

DWC HDPE PIPE ACCESSORIES

- i. The following accessories are required for jointing the ducts and shall be supplied along with the ducts against specific orders. The manufacturers shall provide complete procedure and method for installation of the accessories. The required quantities of accessories are to be mentioned by the purchasing authority in the purchase order.
- a. Plastic Coupler:
The coupler shall be of Push-fit type with O-ring. It is used for jointing woor more ducts. The design of this shall be simple easy to install and shall provide air tight and water tight joint between the two ducts. The coupler shall insure that the two ducts are butted smoothly without any step formation in the inner surface. The coupler may be straight, bands, T-joints type as per requirements of purchaser.
- b. End Cap:

TENDER NOTICE No:- UGVCL/PROJECT/RDSS/ARVALLI/096

This cap made of suitable plastic material shall be fitted on the both ends of duct, coil after manufacturing the duct. This shall avoid entry of dust, mudandra in water in to the duct during the transit & storage.

Selection of pipe for different sizes Cables

Following guide of the pipe fill shall be used for sizing the pipe Size:

- a. 1 cable in pipe - 53% full
- b. 2 cable in pipe - 31% full
- c. 3 or more cables - 43% full
- d. 4 Multiple cables - 40% full

6 Tests

The following tests shall be carried out in accordance with IS or the latest version thereof:

a. TYPE TESTS

- i) Visual.
- ii) Requirement of Colour.
- iii) Dimension
- iv) Standard Length
- v) Compression Strength
- vi) Impact Strength
- vii) Bending Strength
- viii) Oxidation Induction Test
- ix) Resistance to Flame Propagation
- x) Anti-Rodent
- xi) Resistance to External influence on DWC HDPE Pipe

b. ACCEPTANCE TESTS

The following tests be carried out by the manufacturer after 240 hrs of manufacture: -

- i) Visual Requirement
- ii) Requirement of Colour.
- iii) Dimension
- iv) Standard Length
- v) Compression Strength
- vi) Impact Strength
- vii) Bending Strength
- viii) Resistance to Flame Propagation

c. ROUTINETESTS

The following tests be carried out by the manufacturer after 240 hrs of manufacture: -

- i) Visual Requirement
- ii) Requirement of Colour.
- iii) Dimension
- iv) Standard Length
- v) Compression Strength
- vi) Impact Strength
- vii) Bending Strength
- viii) Resistance to Flame Propagation

7 Tests Procedure

a) COMPRESSION TEST

- i. Conduits are subjected to a compression test as per IS: 14930 (Pt-II). The tests for conduits shall not best rated until 240 hrs after manufacture.
- ii. Samples shall be 200 ±5mm long.

TENDER NOTICE No:- UGVCL/PROJECT/RDSS/ARVALLI/096

- iii. Before the test the outside and inside diameters of the samples shall be measured as described in clause above.
- iv. The samples shall be compressed between two flat steel plates having minimum dimensions (100x200x15mm), the length 200mm being along the length of the sample. The sample shall be compressed at a rate of 15±0.5mm/min and the load recorded at the vertical deflection equivalent to 5% of the average value of the original inside diameter of the sample.
- v. When reaching the deflection of 5 %, the applied force shall be at least 450N
- vi. After the test there shall be no crack allowing the ingress of light or water between the inside and the outside.
- vii. The deflection is calculated with the inner diameter but the measurement of the outside diameter may be sufficient. In case of doubt, it will be necessary to measure the inner diameter.

b) IMPACT TEST

- i. Twelve samples of the duct each 200±5mm in length or fittings are subjected to an impact test as per IS: 14930(Pt-II) by means of the apparatus shown Figure-1.
- ii. The test apparatus shall be placed on a firm flat surface. The samples shall be conditioned in a cold chamber at a temperature of -5±1°C for 2h. The samples shall be removed from the cold chamber and placed on the vee block holder of the impact tester as shown in figure 1.
- iii. The striker shall fall once on each sample. The time between removal of the sample from the cold chamber and completion of impact shall not exceed 10seconds. The impact height and mass shall be as follows.

Nominal Size of Conduit	Mass of Striker (+1%/-0%)kg	Fall Height (+0%/-1%)(mm)	Energy Joules
Upto60 mm	5	300	15
61to90 mm	5	400	20
91to140 mm	5	570	28
Above140mm	5	800	40

- iv. The test sample shall be made on the weakest part of the Duct fittings except that it shall not be applied within 5mm of any sample entry. Samples of ducts are tested on the center of their length.
- v. After the test, at least in nine of the samples, there shall be no crack allowing the ingress of light or water between the inside and the outside.

c) BENDING TEST

- i. This test shall be carried out on pliable conduits.
- ii. The test is made on six samples having an appropriate length as per IS: 14930 (Pt II). Three samples shall be tested at room temperature; the other three shall be tested at -5±1°C. For the test at -5°C, the sample shall be conditioned in a cold chamber for 2 hours. The test apparatus as shown in Figure-2 shall allow bending the duct with a bending radius equal to the minimum bending radius values specified by the manufacturer. One of the ends of the samples shall be fixed. The sample is then bent to approximately 90 degrees (right angle) and held.
- iii. During the test, the sample shall not flatten. Compliance shall be checked by passing a ball having diameter equal to 95% minimum inner diameter of the sample declared by the manufacturer, through the sample whilst it is bent around the test apparatus.

d) OXIDATION INDUCTION TEST PROCEDURE

- i. A short length of completed duct (approximately 30cm) shall be sealed at the end

TENDER NOTICE No:- UGVCL/PROJECT/RDSS/ARVALLI/096

sand placed in an oven at temperature of $68 \pm 1^\circ\text{C}$ for 8 hours. The sample shall then be allowed to cool at room temperature for at least 16 hrs. The samples shall be clean and dry. The sample shall then be tested by means of a Differential Canning Calorimeter (DSC) or by Differential Thermal Analyzer (DTA).

ii. Instrument Test Procedure:

- Cell Cleaning: The cell shall be held at approximately 400°C for 10 minutes in Nitrogen. The cell shall be cleaned after standing over night and between testing of different formulations.
- Temperature Calibration: This has to be done according to the instrument manual. The temperature scale should be adjusted until the determined melting point of pure Indium metal is 156.6°C at a heat rate of 5°C per minute or any other heat rate as indicated in the manual of the equipment is permitted.
- Aluminum Pan Preparation: Standard aluminum DSC pans as per ASTM D 4565 are required to hold specimens during testing. A fresh pan shall be used for each test.
- Sample preparation: Take the sample weighing about 5mg from the duct conditioned as indicated above. Position the sample in the center of the pan.
- Nitrogen Purge: Place the sample pan and reference pan in instrument cell. Flush for 5 minutes with cylinder of nitrogen (99.6% extra dry grade) at 60 ± 10 cc per minute.
- Oxidation Test: Rapidly increase the temperature of the sample (20°C /minor greater) from 100°C or lower initial temperature to $199 \pm 1^\circ\text{C}$. After thermal equilibrium is obtained (steady recorder signal) switch to 80 ± 20 cc per minute oxygen flow and simultaneously start time-base recording. The oxygen used for the test should be equivalent to or better than 99.6% extra dry grade.
- Induction Period: The oxygen induction point shall be recorded as time zero, and the chart speed shall be sufficient to provide a clearly discernible loop at the start of the exothermic reaction. The test in the pure dry oxygen atmosphere shall continue until the exothermic peak is produced. The intersection of the tangent of the exothermic sloped line with the extended base line will be drawn. The time from time zero to its intersection point is read from the base line and recorded as the oxidative induction time.

e) RESISTANCE OF LAME PROPAGATION TEST PROCEDURE

- i. Samples of DWC HDPE Ducts shall be checked by applying 1KW flame.
- ii. As sample of length 675 ± 10 mm is mounted vertically in a rectangular metal enclosure with one open face, as shown in Figure-3-2 in an area substantially free from draughts. The general arrangement is shown in Figure-3. Mounting is by means of two metal clamps approximately 25mm wide spaced 550 ± 10 mm apart and approximately equal distance from the ends of the sample. A steel rod of 16 ± 0.1 mm is passed through the sample. It is rigidly and independently mounted and clamped at upper end to maintain the sample in a straight and vertical position. The means of mounting is such as not to obstruct drops from falling on to the tissue paper. A suitable piece of white pine wood board, approximately 10 mm thick, covered with single layer of white tissue paper is positioned on the lower surface of the enclosure.
- iii. The assembly of sample, rod and clamping apparatus is mounted vertically in the center of the enclosure, the upper extremity of the lower clamp being 500 ± 10 mm above the internal allowed surface of the enclosure.
- iv. The burner is supported so that its axis is 45 ± 20 to the vertical. The flame is applied to the samples that the distance from the top of the burner tube to the sample measured along the axis of the flame is 100 ± 10 mm and the axis of the flame intersects with the

TENDER NOTICE No:- UGVCL/PROJECT/RDSS/ARVALLI/096

surface of the samples at a point 100+5 mm from the upper extremity of the lower clamp, and so that the axis of the flame intersects with the axis of the sample.

- v. The test is carried out on three samples. During the application of the flame, it shall not be moved except to remove it at the conclusion of the period of the test. After the conclusion of the test and after any burning of the sample has ceased, the surface of the sample is wiped clean by rubbing with a piece of cloth soaked with water.
- vi. All three samples shall pass the test. If the sample is not ignited by the flame, it shall be deemed to have passed the test.
If the sample burns, or is consumed without burning, the sample shall be deemed to have passed the test if after burning has ceased, and after the sample has been wiped in accordance with 1.3 there is no evidence of burning or charring within 50mm of the lower extremity of the upper and also within 50mm of the upper extremity of the lower clamp.
If the sample burns, it shall be deemed to have failed the test if combustion is still in progress 30 seconds after removal of the flame.
If the tissue paper ignites, the sample shall be deemed to have failed the test. For the parts of the same below the burner, the presence of molten material on the internal or external surfaces shall not entail failure if the sample itself is not burned or charred.
- vii. Compliance of DWC HDPE Duct fittings is checked by using the glow wire test IS: 11000 (Part 2/Sec 1). The glow wire shall be applied once to each sample in the most unfavorable position of its intended use, with the surface tested in vertical position, at a temperature of 750°C. The sample is deemed to have passed this test if there is no visible flame or sustained glowing or inflames or glowing extinguishes within 30 seconds after removal of the glow wire.

f) ANTI RODENT TEST PROCEDURE:

The test against rodent may be conducted as per following procedures:

The ducts are to be laid underground in fields and also near urban or rural settlements. Therefore, they should be exposed to 3-4 most predominant rodent species in habiting these locations. The test rodent species may include the lesser bandi cootrat, Bandi cotabengalensis, The Indian gerbils, tatera indica, the soft furred field rats, Millar diamelt ada and the house rats, Rattusrattus.

The test ducts should be exposed to the serodent species housed individually in iron mesh cages under laboratory conditions. Only freshly capture rodent are to be utilized for the study. The rodent sare first acclimatized in laboratory cages for 7-10 days and then the tests be initiated. For each trial, 3-4 rodents of uniform body weight are to be used for the trial. Two different types of testes may be under taken for all the ducts.

Choice Tests: In this trial the ducts of 15-30 cm length (ones ample each of treated and untreated/ control sample) are exposed to the test rodents along with food, thus the roden thada choice between the food and the test duct. This test may be run for longer periods (30-45 days). Tap water should be provided ad libitum to the rodents.

NO Choice Test: The rodents are exposed to the test ducts only and no food is given to the rodents during the period of trial. The test ducts (one sample each of treated and untreated/control sample) are to the exposed to the test rodents. This trail may be run for 5-7 days depending upon the health status of starved test rodents. Tap water should be providing dad labium other rodents.

Observation on tooth marks, rodent behavior toward exposed ducts, and relative extent of damage in treated and untreated samples should be computed for both types of ducts. Health status of test animals in choice and no choice test must also be monitored for their cordanyill effect of exposure of treated/ control ducts on these

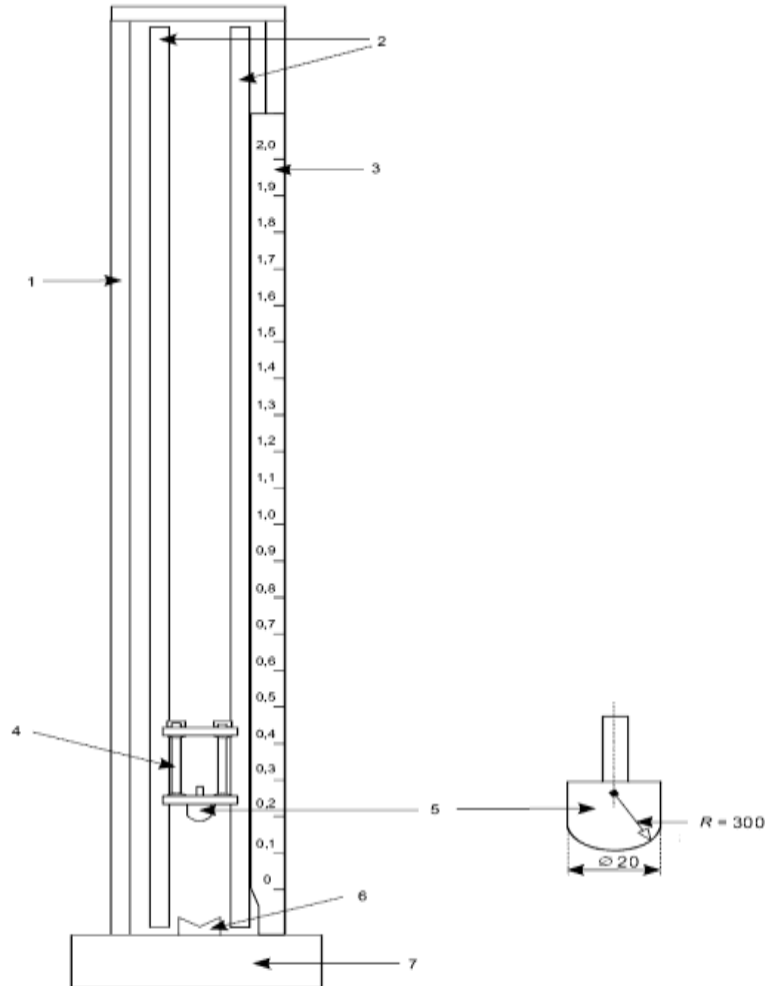
TENDER NOTICE No:- UGVCL/PROJECT/RDSS/ARVALLI/096

animals. Number of cases and the extent of rodent bites/scratch marks in control and anti-rodent treated ducts may indicate the relative deterrent/repellent properties of the test ducts.

FIGURE- 1
IMPACT APPRATUS

TENDER NOTICE No:- UGVCL/PROJECT/RDSS/ARVALLI/096

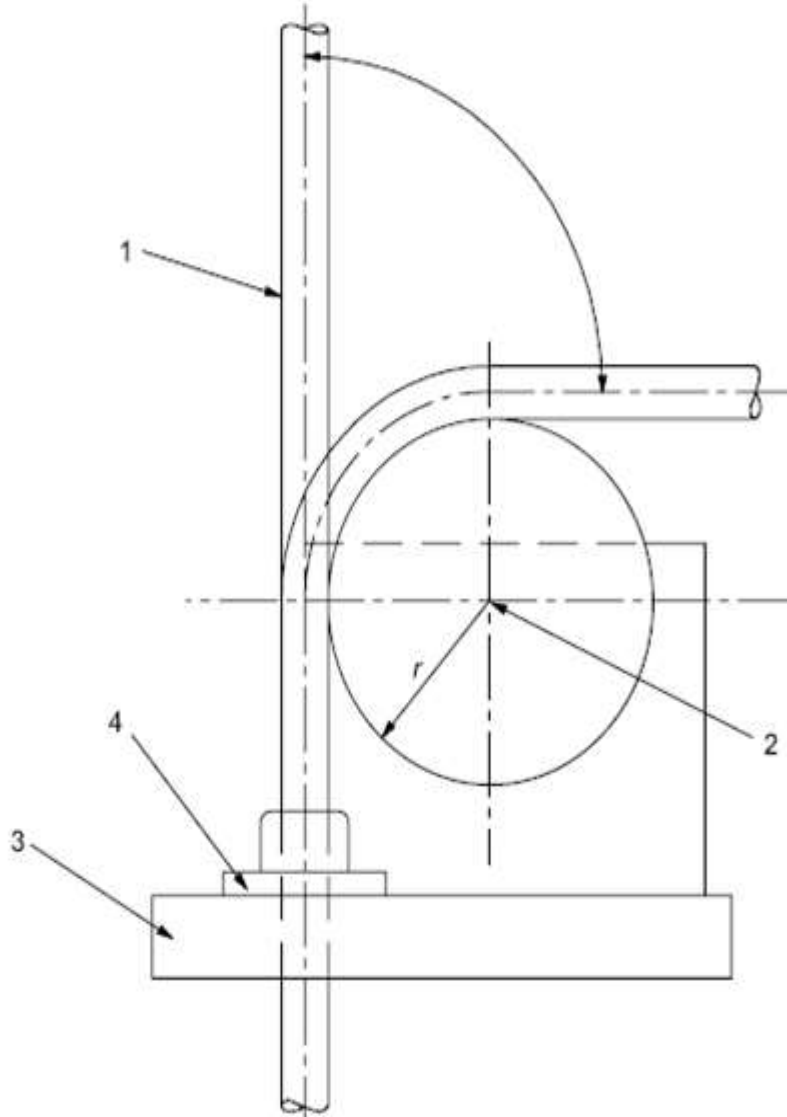
Dimensions in mm



- Key**
- 1 Frame
 - 2 Guide rails
 - 3 Graduated scale
 - 4 Guidance carriage
 - 5 Head of hammer
 - 6 120° vee block
 - 7 Rigid base

NOTE This drawing is not intended to govern design except as regards the dimensions shown

FIGURE- 2
BENDINGTESTAPPARATUS

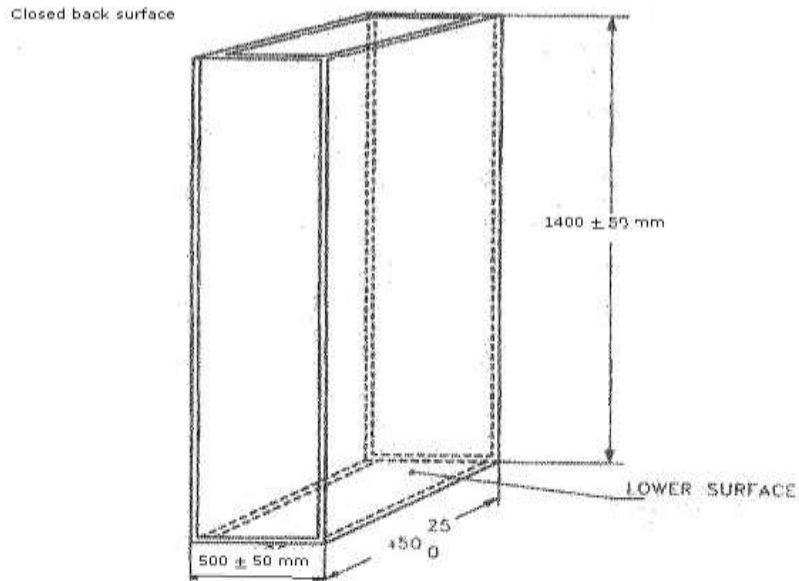


Key

- 1 Sample
- 2 Centre of bending cylinder
- 3 Support
- 4 Guide for conduit

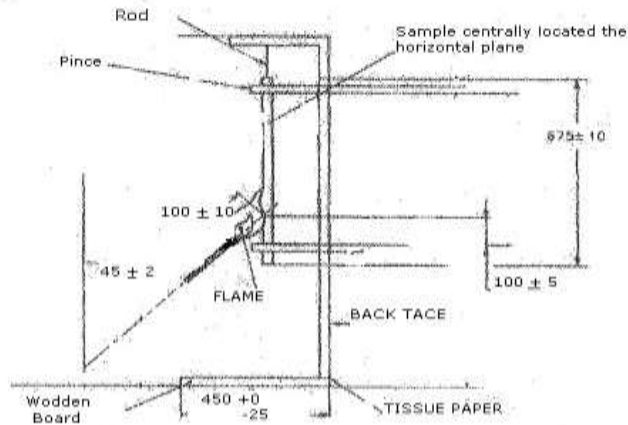
RESISTANCE TO FLAME PROPAGATION TEST APPARATUS

TENDER NOTICE No:- UGVCL/PROJECT/RDSS/ARVALLI/096



Note:- This drawing is not intended to govern design

ENCLOSURE FOR BURNING TEST



Note:- This drawing is not intended to govern design except as regards the dimension shown
ARRANGEMENT FOR BURNING TEST



Uttar Gujarat Vij Company Limited

CIN - U40102GJ2003SGC042906
(A subsidiary of Gujarat Urja Vikas Nigam Limited)

**TENDER NOTICE No:- UGVCL/PROJECT/RDSS/ARVALLI/096
GTP OF HDPE PIPES**

SR.	DESCRIPTION / PARAMETERS	OFFERED BY THE BIDDER
1	Make	
2	Applicable Standard	
3	Grade	
4	Pressure rating (Kg/Sqcm.)	
5	Outside Diameter (mm)	
6	Inside Diameter (mm)	
7	Recommended For (Mention Maximum Armoured cable Type and Size)	

TENDER NOTICE No:- UGVCL/PROJECT/RDSS/ARVALLI/096
TECHNICAL SPECIFICATION FOR CIVIL WORKS

1 Cable Trench:

Construction of cable trench (Three tier/ Four Tier) as per approved design & Drawing as per directives of Engineer-in-charge with required excavation as per site condition, Base concreting, Providing & laying of reinforcement as per design, concreting of M-20 grade for Pardi & Raft, Pre-cast RCC cover of 75mm thick, fabrication of cable tray as per design with one coat of red oxide and two coats of oil painting to structural steel, two coats of Waterproof cement paint to all inside, outside surfaces of cable trench with top cover. Work to be done as per drawing and PWD specifications. Detail description of major civil work activities involved are as under.

- i. Excavation for foundation in Dense or Hard soil up to 1.5 M Depth including sorting out and stacking of useful materials and disposing of the excavated stuff up to 50 meter lead and filling excavated stuff in trenches & besides cable trench in layers not exceeding 20 cm in depth with consolidating/ watering etc. complete.
- ii. Providing and laying cement concrete 1:4:8 (1 Cement : 4 coarse sand : 8 Machine crush metal aggregates 40 mm nominal size) and curing complete including cost of form work in Foundation etc. complete.
- iii. Providing and laying control cement concrete M200 and curing complete including cost of form work and reinforcement for reinforced cement concrete work in. (A) Raft Foundations, Vertical pardi/wall etc. (Form work of steel sheets to be utilized)
- iv. Providing & placing 75mm thick Precast RCC cover of size 1500 X 300mm, made in M-200 cement concrete with necessary reinforcement of 3 Nos. of 10mm TMT bars as main bar and 8mm TMT Distribution bars at 200mm c/c including providing 8mm TMT bars hook for lifting arrangement & curing, finishing all the surfaces etc complete incl. placing in position at site.
- v. Providing & fabrication of structural Steel for cable tray incl. cutting, erecting, fixing in position and applying one coat of red oxide & two coats of oil painting in angles, flat and like section etc. complete.
- vi. Expansion Joint: Providing & placing 12mm thick pre-moulded asphalt or bitumen cork board filler joint at every 50 Mtr length.
- vii. Painting the inside, outside of Cable trench wall including precast cover with two coats of water proofing cement paint.

2 Precast RCC Cable Guard Block

Providing & placing precast RCC cable guard blocks for underground cable laying work as per approved drawing made in M-200 concrete for UG cable laying. 1.0 Rmt of cable guard consist of 3 nos. of RCC blocks, having size as stated below (A-type, B-Type, C-Type), including providing & laying of reinforcement steel as per drawing in all the three blocks including necessary form works of steel sheets, curing, finishing of all the surfaces & placing in the position at site as per drawing & as directed by engineer-in-charge.

A-Type	L x W x T = 1000 x 300 x 75 mm (For 01 no. of horizontal RCC block) L x W x T = 1000 x 300 x 75 mm (For 02 no. of vertical RCC block)
B-Type	L x W x T = 1000 x 450 x 75 mm (For 01 no. of horizontal RCC block) L x W x T = 1000 x 300 x 75 mm (For 02 no. of vertical RCC block)
C-Type	L x W x T = 1000 x 600 x 75 mm (For 01 no. of horizontal RCC block) L x W x T = 1000 x 300 x 75 mm (For 02 no. of vertical RCC block)

3 Cable Route Marker

Providing & fixing of route marker of pre-cast RCC block made in M-200 concrete of size 220 x 75 x 800 mm having top width round shape as per drawing, including providing & laying reinforcement steel of 1 no. of 10 mm dia tor steel main bar & 6 no of 8 mm dia tor steel distribution bars as per the drawing including necessary excavation, form works of steel sheets, curing, finishing of all surfaces & placing in position at site including fixing block by providing & laying 75 mm thick PCC (1:4:8) on all vertical sites & bottom of pre-cast RCC blocks as per drawings etc complete.

4 Detail Specification for Civil Work Items

Item No. 1:Excavation for foundation in trenches in ordinary, dense, hard soil, sand, clay, soft murrum up to 1.50 Mt. depth including strutting, shoring wherever necessary and throwing away the extra stuff with in the lead of 500 Mt. radius and its dressing etc. complete as directed by E. I. C.

a) **General**

Any soil which generally require close application of picks or jumpers or scarifies to loosen it, stiff clay, gravel and stone, etc. or organic soil, gravel silt, sand, turf, loam, clay, peat, etc. fall under this category.

b) **Clearing the site**

- i. The site on which the structure is to be built shall be cleared, and all obstructions loose stone, materials, and rubbish of all kind, bush wood and trees shall be removal as directed. The materials so obtained shall be property of the Government and shall be conveyed and stacked as directed within 50 m. lead. The roots of the trees coming in the sides shall be cut and coated with a hot asphalt.
- ii. The rate of side clearance is deemed to be included in the rate of earth work for which no extra will be paid.

c) **Setting out**

After clearing the site, the centre lines will be given, by the Engineer-in-Charge. The contractor shall assume full responsibility for alignment, elevation and dimension of each and all parts of the work. Contractor shall supply labours materials, etc., required for setting out the reference marks and bench marks and shall maintain them as long as required and directed.

d) **Excavation**

The excavation in foundation shall be carried out in true line and level and shall have the width and depth as shown in the drawings or as directed. The contractor shall do the necessary shoring and shutting or providing necessary slopes to a safe angle, at his own cost. The payment for such precautionary measures shall be paid separately if not specified. The bottom of the excavated area shall be leveled both longitudinally and transferal as directed by removing and watering as required. No earth filling will be allowed for bringing it to level. If by mistake or any excavation is made deeper or wider than that shown on the plan or directed. The extra depth or width shall be made up with concrete of same proportion as specified for the foundation concrete at the cost of the contractor. The excavation up to 1.5 m depth shall be measured under this item.

e) **Disposal of the excavated stuff**

- i. The excavated stuff of the selected type shall be used in filling the trenches and plinth or leveling the ground in layers including ramming and watering etc.
- ii. The balance of the excavated quantity shall be removed by the contractor from the site of work to a place as directed with lead up to 500 M. and all lift.

TENDER NOTICE No:- UGVCL/PROJECT/RDSS/ARVALLI/096

Item No. 2: Filling available excavated earth (Excluding rock) in trenches, plinth sides of foundation etc. in layers not exceeding 20 CM in depth, consolidating each deposited layers by ramming and watering.

a) Workmanship

- i. The earth to be used for filling shall be free from salts, organic or other foreign matter. All clots of earth shall be broken.
- ii. As soon as the work in foundation has been completed and measured the site of foundation shall be cleared of all debris, brick bats, mortar dropping etc., and filled with earth in layers not exceeding 20 cms. Each layer shall be adequately watered, rammed and consolidated before the succeeding layer is laid. The earth shall be rammed with iron rammers where feasible and with the butt ends of crow bars, where rammer cannot be used.
- iii. The plinth shall be similarly filled with earth in layers not exceeding 20 cms. adequately watered and consolidated by ramming with iron or wooden rammers. When filling reaches finished level the surface shall be flooded with water for at least 24 hours and allowed to dry and then rammed and consolidated.
- iv. The finished level of filling shall be kept to shape intended to be given to floor.
- v. In case of large heavy duty flooring like factory flooring, the consolidation may be done by power rollers, where so specified. The extent of consolidation required shall also be as specified.
- vi. The excavated stuff of the selected type shall be allowed to be used in filling the trenches and plinth. Under no circumstances black cotton soil be used for filling in the plinth.

Item No. 3: Filling in foundation and plinth with murrum or selected soil in layers of 20 CM thickness including watering, ramming and consolidation etc. complete (Yellow earth should be brought by contractor from outside)

a) Materials

Murrum shall be clean, of good binding quality, and of approved quality obtained from approved pits / quarries of disintegrated rocks which contain silicon materials and natural mixture of clay of calcareous origin. The size of murrum shall not be more than 20mm.

b) Workmanship

The relevant specifications of item No. 2 shall be followed except that murrum or selected soil shall be filled in foundation and plinth in 20 cms. Layers including consolidating, ramming, watering, dressing, etc complete.

Item No. 4: Filling in plinth with sand under floors including watering, ramming consolidating and dressing etc. complete.

a) Materials

Sand shall conform to M-3.

b) Workmanship

The relevant specifications of item No. 2 shall be followed except that sand shall be filled in under floors, including watering, ramming, consolidating and dressing etc. complete.

Item No. 5: Brick work using common fly ash / concrete blocks / building bricks having crushing strength not less 35 kg. / sq. cm. in foundation and plinth in cement mortar 1:6 (1 Cement: 6 - Fine sand)

a) Materials

TENDER NOTICE No:- UGVCL/PROJECT/RDSS/ARVALLI/096

Water shall conform to M-1. Cement shall conform to M-2. Sand shall conform to M-3. Cement mortar shall conform to M-5. Brick shall conform to M-8.

b) Workmanship

- **Proportion:** The proportion of the cement mortar shall be 1:6 (1 Cement: 6 fine sand) by volume.
- **Wetting of bricks:** The bricks required for masonry shall be thoroughly wetted with clean water for about two hours before use or as directed. The cessation of bubbles, when the bricks are wetted with water is an indication of thorough wetting of bricks.
- **Laying:**
 - i. Bricks shall be laid in English bond unless directed otherwise. Half or cut bricks shall not be used except when necessary to complete to bond, closers in such case shall be cut to the required size and used near the ends of walls.
 - i. A layer of mortar shall be spread on full width for suitable length of the lower course. Each brick shall first be properly bedded and set home by gently tapping with the handle of trowel or wooden mallet. Its side face shall be flushed with mortar before the next brick is laid and pressed against it. On completion of course, the vertical joint shall be fully filled from the top with mortar.
 - ii. The wall shall be taken up truly in plumb. All courses shall be laid truly horizontal and all vertical joints shall be truly vertical. Vertical joints in alternate course shall generally be directly one over the other. The thickness of the brick course shall be kept uniform.
 - iii. The bricks shall be laid with frog upwards. A set of tools comprising of wooden straight edges, mason's spirit level, square half meter rub, and pins, string and plumb shall be kept on the site of the work for frequent checking during the progress of work.
 - iv. Both the faces of the walls of thickness greater than 23 cms shall be kept in proper place. All the connected brickwork shall be kept not more than one meter over the rest of the work. Where this is not possible the work shall be raked back according to bond (and not left toothed) at an angle not steeper than 45 degrees.
 - v. All fixtures, pipes, outlets of water, holdfasts of doors and windows, etc. which are required to be built in wall shall be embedded in the cement mortar.
- **Joints**
 - i. Bricks shall be so laid that all joints are quite flush with mortar. Thickness of the joint shall not exceed 12mm. The face joints shall be raked out as directed by raking tool daily during the progress of work, when the mortar is still green so as to provide key for plaster or pointing to be done.
 - ii. The face of the brick shall be cleaned the very day on which the brick work is laid and all mortar dropping removed.
- **Curing**

Green work shall be protected from the rain suitable. Masonry work shall be kept moist on all the faces for a period of seven days. The top of the masonry work shall be kept well wetted at the close of the day.
- **Preparation of the foundation bed**

If the foundation is to be laid directly on the excavated bed, the bed shall be leveled, cleaned of all the loose materials, cleaned and wetted before starting masonry. If masonry is to be laid on concrete footing, the top of the concrete shall be cleaned and moistened. The contractor shall obtain the engineer's approval for the foundation bed, before foundation masonry is started. When pucca flooring is to be provided flush with the top to plinth, the inside plinth offset shall be kept lower than the outside plinth top by the thickness of the flooring.

c) Mode of measurement

TENDER NOTICE No:- UGVCL/PROJECT/RDSS/ARVALLI/096

- i. The measurements of this item shall be taken for the brick masonry fully completed in foundation up to plinth. The limiting dimensions not exceeding those shown on the plans or as directed shall be final. Battered, tapered and curved portion shall be measured net.
- ii. No deduction shall be made from the quantity of brick work, nor any extra payment made for embedding in masonry or making holes in respect of following items.
 - o End of joints, beams, posts, girders, rafters, purlins, trusses, corbel, steps, etc. where cross section area does not exceed 500 sq cm.
 - o Opening not exceeding 1000 sq cm.
 - o Wall plates and bed plates, bearing of slabs, and the like whose thickness does not exceed 10 cm and the bearing does not extended to the full thickness of the wall.
 - o Drainage holes and recesses from cement concrete blocks to embed hold fasts for doors, windows etc.
 - o Iron fixtures, pipes up to 300mm dia, hold fasts and doors and windows built into masonry and pipes, etc. for concealed wiring.
 - o Forming chases of section not exceeding 350 sq. cm. in masonry.
- iii. Apertures for fire places shall not be deducted nor shall extra labour required to make splaying of jambs, throttling and making arches over the apertures be paid for separately.
- iv. The rate shall be for a unit of one cubic meter.

Item No. 6: Providing & laying controlled cement concrete M-200 curing complete for reinforced concrete work in

a) Foundation, footings, Bases of columns etc. and Mass concrete,

b) Slabs, Landings, shelves, Balconies, Lintels, Beams, Girders, wall and cantilever up to floor two level,

a) Materials

Water shall conform to M-1. Cement shall conform to M-3. Sand shall conform to M-6. Grit shall conform to M-8. Graded stone aggregate 20mm nominal size shall conform to M-12.

b) General

- i. The concrete mix shall be designed by preliminary tests, the proportioning of cement and aggregates shall be done by weight and necessary precautions shall be taken in the production to ensure that the required work cube strength is attained and maintained. The controlled concrete shall be in grade of M-200 with prefix controlled added to it. The letter 'M' refers to mix and numbers specify 28 days works cube compressive strength of 150mm cubes of the mix expressed in Kg/ Cm²
- ii. The proportion of cement, sand and coarse aggregates shall be determined by weight. The weigh batching machine shall be used for maintaining proper control over the proportion of aggregates as per mix design.

The strength requirements of different grades of concrete shall be as under:

Grade of concrete	Compressive strength of 15 cms. cubes in Kg / Cm ² at 28 days, conducted in accordance with IS 516 - 1959.	
	Preliminary test (min)	Work test (min)
M-150	200	150
M-200	260	200
M-250	320	250
M-300	380	300
M-350	440	350
M-400	500	400

TENDER NOTICE No:- UGVCL/PROJECT/RDSS/ARVALLI/096

In all cases, the 28 days compressive strength specified in above table be the criteria for acceptance or rejection of the concrete. Where the strength of a concrete mix as indicated by tests, lies in between the strength of any two grades specified in the above table, such concrete shall be classified in for all purposes as concrete belonging to the lower of the two grades between which its strength lies.

iii. Admixture may be used in concrete only with approval of Engineer - in - Charge based upon the evidence that with the passage of time neither the compressive strength of concrete is reduced nor are other requisite qualities of concrete and steel impaired by the use of such admixture.

c) Workmanship

i. The proportions for ingredients chosen shall be such that concrete has adequate workability for conditions prevailing on the work in question and can be properly compacted with means available except where it can be shown to the satisfaction of the Engineer - in - Charge, that the supply of properly graded aggregate of uniform quality can be maintained till the completion of work. Grading of aggregate shall be controlled by obtaining the coarse aggregates, in different sizes and being in them in the right proportions as required. Aggregate of different sizes shall be stocked in separate stock piles. The required quantity of material shall be stock piled several hours, preferably a day before use. The grading of coarse and fine aggregate shall be checked as frequently as possible, the frequency for a given job being determined by the Engineer - in - Charge to ensure that the suppliers are maintaining the uniform grading as approved for samples used in the preliminary tests.

ii. In proportioning concrete, the quantity of both cement and aggregate shall be determined by weight. Where the weight of cement is determined by accepting the maker's weight per bag a reasonable number of bags shall be weighed separately to check the net weight. Where the cement is weighed from bulk stocks at site and not by bags, it shall be weighed separately from the aggregates. Water shall either be measured by volume in calibrated tanks or weighed. All measuring equipments shall be maintained in clean, and serviceable condition. Their accuracy shall be periodically checked.

iii. It is most important to keep the specified water cement ratio constant and at its correct value. To this end, moisture content in both fine and coarse aggregates shall be determined by the Engineer - in - Charge, according to the weather conditions. The amount of mixing water shall then be adjusted to compensate for variations in the moisture content. For the determination of moisture content in the aggregates, IS 2389 (Part III) shall be referred to. Suitable adjustments shall also be made in the weights of coarse aggregates due to variation in the moisture content. Minimum quantity of cement to be used in concrete shall not be less than 320 Kg / Cmt.

iv. Mixing

- For all work, concrete shall be mixed in a mechanical mixer which along with other accessories shall be kept in first class working condition and so maintained throughout the construction. Measured quantity of aggregate, sand, cement required for each batch shall be poured into the drum of the mechanical mixer while it is continuously running. After about half a minute of dry mixing measured quantity of water required for each batch of concrete mix shall be added gradually and mixing continued for another one and half a minute. Mixing shall be continued till materials are uniformly distributed and uniform colour of the entire mass is obtained and each individual particle of the coarse aggregate shows complete coating of mortar containing its proportionate amount of cement. In no case shall the mixing be done for less than two minutes after all ingredients have been put into the mixer.

TENDER NOTICE No:- UGVCL/PROJECT/RDSS/ARVALLI/096

- Mixers which have been out of use for more than 30 minutes shall be thoroughly cleaned before putting in a new batch. Unless otherwise agreed to by the Engineer - in - Charge the first batch of concrete from the mixture shall contain only two thirds of normal quantity of coarse aggregate. Mixing plant shall be thoroughly cleaned before changing from one type of cement to another.
- v. Consistency
The degree of consistency which shall depend upon the nature of the work and methods of vibration of concrete shall be determined by regular slump tests in accordance with IS 1199 - 1959. The slump of 10 mm to 25 mm shall be adopted when vibrators are used and 80 mm when vibrators are not used.
- vi. Inspection
 - Contractor shall give the Engineer - in - Charge due notice before placing any concrete in the forms to permit him to inspect and accept the false work and forms as to their strength, alignment and general fitness but such inspection shall not relieve the contractor of his responsibility for the safety of men, machinery, materials and for results obtained. Immediately before concreting, all forms shall be thoroughly cleaned.
 - Centering design and its erection shall be got approved from the Engineer - in - Charge. One carpenter with helper shall invariably be kept present throughout the period of concreting. Movement of labour and other persons shall be totally prohibited for reinforcement laid in position. For access to different parts, suitable mobile platforms shall be provided so that steel reinforcement in position is not disturbed. For ensuring proper cover, mortar blocks of suitable size shall be cast and tied to the reinforcement. Timber, kapachi or metal pieces shall not be used for this purpose.
- vii. Transporting and laying
 - The method of transporting and placing concrete shall be as approved. Concrete shall be so transported and placed that no contamination, segregation or loss of its constituent material takes place. All form work shall be cleaned and made free from standing water, dust, snow or ice immediately before placing of concrete. No concrete shall be placed in any part of the structure until the approval of Engineer - in - Charge has been obtained.
 - Concreting shall proceed continuously over the area between construction joints. Fresh concrete shall not be placed against concrete which has been in position for more than 30 minutes unless a proper construction joint is formed. Concrete shall be compacted in its final position within 30 minutes of its discharge from the mixer. Except where otherwise agreed to by the Engineer - in - Charge concrete shall be deposited in horizontal layers to a compacted depth of not more than 0.45 metre when internal vibrators are used and not exceeding 0.30 meter in all other cases.
 - Unless otherwise agreed to by the Engineer - in - Charge, concrete shall not be dropped into place from a height exceeding 2 meters. When trucking or chutes are used they shall be kept close and used in such a way as to avoid segregation. When concreting has to be resumed on a surface which has hardened, it shall be roughened, swept clean, thoroughly wetted and covered with a 13mm thick layer of mortar composed of cement and sand in same ratio as in the concrete mix itself. This 13 mm layer of mortar shall be freshly mixed and placed immediately before placing of new concrete. When concrete has not fully hardened, all laitance shall be removed by scrubbing the wet surface with wire or bristle brushes, care being taken to avoid dislodgement of any particles of coarse aggregate. The surface shall then be thoroughly wetted, all free water removed and then coated with neat cement grout. The first layer of concrete to be placed on this surface shall not exceed

TENDER NOTICE No:- UGVCL/PROJECT/RDSS/ARVALLI/096

150mm in thickness and shall be well rammed against old work, particular attention being given to corners and close spots.

- All concrete shall be compacted to produce a dense homogeneous mass with the assistance of vibrators, unless, otherwise permitted by the Engineer - in - Charge for exceptional cases, such as concreting under water, where vibrators cannot be used. Sufficient vibrators in serviceable condition shall be kept at site so that spare equipment is always available in the event of breakdowns.

Concrete shall be judged to be compacted when the mortar fills the spaces between the coarse aggregate and begins to cream up to form an even surface. Compaction shall be completed before the initial setting starts i.e. within 30 minutes of addition of water to dry mixture. During compaction, it shall be observed that needle vibrators are not applied on reinforcement which is likely to destroy the bond between concrete and reinforcement.

viii. Curing

Immediately after compaction, concrete shall be protected from weather, including rain, running water, shocks, vibration, traffic, rapid temperature changes, frost and drying out process. It shall be covered with wet sacking, Hessian or other similar absorbent material approved, soon after the initial set and shall be kept continuously wet for a period of not less than 14 days from the date of placement. Masonry work over foundation concrete may be started after 48 hours of its laying but curing of concrete shall be continued for a minimum period of 14 days.

ix. Sampling and testing of concrete

- Samples from fresh concrete shall be taken as per IS 1199 - 1959 and cubes shall be made, cured and tested at 7 days or 28 days as per requirements in accordance with IS 516 - 1959. A random sampling procedure shall be adopted to ensure that each concrete batch shall have a reasonable chance of being tested i.e. the sampling should be spread over the entire period of concreting and cover all mixing units. The minimum frequency of sampling of concrete of each grade shall be in accordance with following:

Quantity of concrete in the work	No. of samples	Quantity of concrete in the work	No. of samples
1 - 5 Cmt.	1	31 - 50 Cmt.	4
6 - 15 Cmt.	2	51 and above	4 + one additional for each additional 50 m. or part thereof.
16-30 Cmt.	3		

NOTE: At least one sample shall be taken from each shift. Ten test specimens shall be made from each sample, five for testing at 7 days and the remaining five at 28 days. The samples of concrete shall be taken on each day of concreting as per above frequency. The number of specimens may be suitably increased as deemed necessary by the Engineer - in - Charge when procedure of tests given above reveals a poor quality of concrete and in other special cases.

- The average strength of the group of cubes cast for each day shall not be less than the specified cube strength of respective concrete grade at 28 days. 20 % of the cubes cast for each day may have value less than the specified strength provided the lowest value is not less than 85% of the specified strength. If the concrete made in accordance with the proportions given for a particular grade, does not yield the specified strength, such concrete shall be classified as belonging to the appropriate

TENDER NOTICE No:- UGVCL/PROJECT/RDSS/ARVALLI/096

lower grade. Concrete made in accordance with the proportions given for a particular grade shall not, however, be placed in a higher grade on the ground that the test strength are higher than the minimum specified.

d) Stripping

- x. The Engineer - in - Charge shall be informed in advance by the contractor of his intention to strike the form work. While fixing the time for removal of form work, due consideration shall be given to local conditions, character of the structure, the weather and other condition that influence the setting of concrete and of the materials used in the mix. In normal circumstances (generally where temperatures are above 20° C and where ordinary concrete is used, forms may be struck after expiry of periods specified in item for respective item of form work.
- xi. All form work shall be removed without causing any shock or vibration as would damage the concrete. Before the soffit and struts are removed, the concrete surface shall be exposed, where necessary in order to ascertain that the concrete has sufficiently hardened. Centering shall be gradually and uniformly lowered in such a manner as to permit the concrete to take stress due to its own weight uniformly and gradually. Where internal metal ties are permitted, they or their removable parts shall be extracted without causing any damage to the concrete and remaining holes filled with mortar. No permanently embedded metal part shall have less than 25 mm cover to the finished concrete surface. Where it is intended to re-use the form work, it shall be cleaned and made good to the satisfaction of the Engineer - in - Charge. After removal of form work and shuttering, the Executive Engineer shall inspect the work and satisfy by random checks that concrete produced is of good quality.
- xii. Immediately after the removal of forms, all exposed bolts etc., passing through the cement concrete member and used for shuttering or any other purpose shall be cut inside the cement concrete member to a depth of at least 25 mm below the surface of the concrete and the resulting holes be filled by cement mortar. All line caused by form joint, all cavities produced by the removal of form ties and all other holes and depressions, honeycomb spots, broken edges or corners and other defects shall be thoroughly cleaned, saturated with water and carefully pointed and rendered true with mortar of cement and fine aggregate mixed in proportions used in the grade of concrete that is being finished and of as dry consistency as is possible to use. Considerable pressure shall be applied in filling and pointing to ensure thorough filling in all voids. Surfaces which are pointed shall be kept moist for a period of 24 hours. If rock pockets / honeycombs in the opinion of the Engineer - in - Charge are of such and extent or character as to effect the strength of the structure materially or to endanger the life of the steel reinforcement, he may declare the concrete defective and require the removal and replacement of the portions of the structure effected.

Item No. 7: Providing and laying Thermo Mechanically Treated (TMT bars) steel reinforcement conforming to grade Fe 415 IS : 1786 for RCC work including cutting, bending, hooking and binding the reinforcement with approved quality of binding wire etc., completed as per design.

All reinforcement TMT bar specified in item shall confirm to relevant IS standard 1786 for thermo mechanical Tested bars, wherever tested brands to be used, certificate for the same from manufacture shall be submitted.

Bars shall be bent as per bar bending schedule supplied with drawing. If bar bending schedule is not supplied contractor shall prepare it and get it approved at the site before cutting for fabrication. Bars shall be clean, free from rust, dust, mud etc. if coils are there, they shall be first straightened. Bars shall be cut according to the cutting length specified/approved by department. Bars shall be bent gradually. Bars having

TENDER NOTICE No:- UGVCL/PROJECT/RDSS/ARVALLI/096

crack or spits shall be rejected. Bars shall be bent cold, unless otherwise specified in case of higher diameter bars. If bar is bend wrongly, it should be straightened and recent such that it do not injure the materials.

Laps and splices shall be got approved. They shall be staggered and shall be at location shown / approved. Lapping shall be avoided when full length bars are available. All laps, hooks, bends etc. shall be provided as per IS standards. Reinforcement bars shall be place in position as per drawing or details given. It shall be tied with annealed black wire/G.I. wire of 18 gauge. Blocks, spacers, chairs etc., shall be provided as per IS. 2502 at places instructed.

Bars shall be provided with clear cover as shown in drawing or as instructed on site. Cover shall be provided with cement mortar cover block prepared of specified thickness with binding wire embedded to fix cover in position and tie with the reinforcement so that it may not get disturbed. Minimum clear cover shall be less than 13 mm or diameter of bars for slabs. For beam and columns depending on size it shall be 20mm to 25mm. Cover shall be provided depending on structure, weather condition, location of structure etc., as per ISI.

After the reinforcement is tied and checked by contractor himself it shall be got checked by client authorized representative and okayed for pouring of concrete. Quantity of reinforcement bars in M.T. embedded in concrete shall be paid. Weight shall be computed on cutting length approved or given multiplied by standard weight of particular diameter of bars as per IS standards. Work shall to be carried out at all levels. "Rate quoted shall inclusive of wastages, cost of binding wire etc., No separate payment will be made for binding wire. However, laps, dowels etc shall be paid as per drawing or as approved.

For the purpose of payment, the bar shall be measured correct up to 100 mm length and weight payable worked out at the rate specified below:

1	6 mm x 0.22 Kg / Rmt.	8	20mm x 2.47 Kg / Rmt.
2	8 mm x 0.39 Kg / Rmt.	9	22mm x 2.98 Kg / Rmt.
3	10 mm x 0.62 Kg / Rmt.	10	25mm x 3.85 Kg / Rmt.
4	12 mm x 0.89 Kg / Rmt.	11	28mm x 4.83 Kg / Rmt.
5	14mm x 1.21 Kg / Rmt.	12	32mm x 6.31 Kg / Rmt.
6	16 mm x 1.58 Kg / Rmt.	13	36mm x 7.99 Kg / Rmt.
7	18 mm x 2.00 Kg / Rmt.	14	40mm x 9.86 Kg / Rmt.

Item No. 8: Providing 15 mm. thick cement plaster in single coat in C. M. (1:3) on fair side brick / concrete wall for interior plastering of floor two level including finishing the surfaces with smooth cement finishing, necessary drip moulding, scaffolding, curing with three coats of the white wash or colour wash as directed by E. I. C.

a) **Materials**

Water shall confirm to M-1. The cement mortar of proportion 1:3 shall conform to M-5.

b) **Workmanship**

- i. Scaffolding: Wooden ballies, bamboos, planks, trestles and other scaffolding shall be sound. These shall be properly examined before erection and use. Stage scaffolding shall be provided for ceiling plaster which shall be independent of the walls.
- ii. Preparation of back ground:
- The surface shall be cleaned of all dust, loose mortar droppings, traces, of algae, efflorescence and other foreign matter by water or by brushing. Smooth surface shall be roughened by wire brushing if it is not hard and by racking if it is hard. In case of concrete surface, if a chemical retardant has been applied to the hard and by racking if it is hard. In case of concrete surface, if a chemical retardant has been

TENDER NOTICE No:- UGVCL/PROJECT/RDSS/ARVALLI/096

applied to the form work, the surface shall be roughened by wire brushing and all the resulting dust and loose particles cleaned off and care shall be taken that none of the retardant is left on the surface. Trimming of projections on brick / concrete surface where necessary shall be carried out to get an even surface.

- Raking of joints in case of masonry where necessary shall be allowed to dry out for sufficient period before carrying out the plaster work.
- The work shall not be soaked but only damped evenly before applying the plaster. If the surface becomes dry such area shall be moistened again.
- For external plaster, the plastering operation shall be started from top floor and carried downwards. For internal plaster, the plastering operations may be started wherever the building frame and cladding work are ready and the temporary supporting ceiling resting on the wall of the floor have been removed. Ceiling plaster shall be completed before starting plaster to walls.

c) Applications of plaster:

- i. The plaster about 15 x 15 cms shall be first applied horizontally and vertically at not more than 2 metre intervals over the entire surface to serve as gauge. The surfaces of these gauges shall be truly in plane of the finished plastered surface. The mortar shall then be applied in uniform surface slightly more than the specified thickness, then brought to a true surface by working a wooden straight edge reaching across the gauges with small upward and sideways movement at a time. Finally, the surface shall be finished off true with a trowel or wooden float according as a smooth or a sandy granular texture is required. Excessive trowelling or overworking the float according as a smooth or a sandy granular texture is required. Excessive trowelling or overworking the float shall be avoided. All corners, arises, angles and junctions be truly vertical or horizontal as the case may be and shall be carefully finished. Rounding or chamfering corners, arises, junctions etc. shall be carried out with proper templates to the size required.
- ii. Cement plaster shall be used within half an hour after addition of water. Any mortar or plaster which is partially set shall be rejected and removed forthwith from the site.
- iii. In suspending the work at the end of the day, the plaster shall be left out clean to the line both horizontally and vertically. When recommencing the plaster, the edges of the old work shall be scraped clean and wetted with cement putty before plaster is applied to the adjacent areas to enable the two to properly join together. Plastering work shall be closed at the end of the day on the body of the wall and nearer than 15cms to any corners or arises. Horizontal joints in plaster work shall not also occur on parapet tops and copings as these invariably lead to leakage. No portion of the surface shall be left out initially to be packed up later on.
- iv. Each coat shall be kept damp continuously till the next coat is applied or for a minimum period of 7 days. Moistening shall commence as soon as plaster is hardened sufficiently. Soaking of walls shall be avoided and only as much water as can be readily absorbed shall be used, excessive evaporation on the sunny or windward side of building in hot air or dry weather shall be prevented by hanging matting or gunny bags on the outside of the plaster and keeping them wet.

Item No. 9: Providing fabricating & erecting in position M. S. Angle, channels girders etc., for purlins rafters, columns etc., including welding the section as per instruction & drawing making holes & 3 coats of oil painting of approved shade & make etc. complete.

General specification of fabrication shall be applicable. Cutting schedule of the various members shall be prepared as per drawing and got approved.

TENDER NOTICE No:- UGVCL/PROJECT/RDSS/ARVALLI/096

The rate quoted shall be for supplying steel, confirming I. S. Standards, fabricating erecting and painting the structure.

Item No. 10: Expansion Joints - Premoulded filter

The item provides for expansion joints in RCC frame structures for internal joints as well as exposed joints, with the use of premoulded bituminous joint filler. Premoulded bituminous joint filler, i.e. performed strip of expansion joint filler shall not get deformed or broken by twisting, bending or other handling when exposed to atmospheric condition. Pieces of joint filler that have been damaged shall be rejected. Thickness of Premoulded joint filler shall be 25mm unless otherwise specified. Premoulded Bituminous joint filler shall confirm to IS 1838-1961.

Item No. 11: Providing form work of sheeting of steel sheets so as to give fair finish including centering, shuttering strutting and propping etc., height of propping and centering below supporting floor to ceiling not exceeding 4 M. and removal of the same for in situ reinforced concrete and plain concrete work in

a) Materials

The shuttering to be provided shall be using sheathing of steel sheets and plates of steel or Plywood as approved by E-I-C.

b) Workmanship

- i. The form work shall conform to the shape, lines and dimension as shown on the plans and be so constructed as to remain sufficiently rigid during the placing and compacting of the concrete. Adequate arrangements shall be made by the contractor to safe-guard against any settlement of the form work during the course of concreting and after concreting. The form work of shuttering, centering, scaffolding, bracing, etc. shall be as per design.
- ii. Cleaning and Treatment of forms
All rubbish, particularly chippings, shaving and saw dust shall be removed from the interior of the form before the concrete is placed and the form work in contact with concrete shall be cleaned and thoroughly wetted or treated. The surface shall be then coated with soap solution applied before concreting is done. Soap solution for the purpose shall be prepared by dissolving yellow soap in water to get consistency of paint. Alternatively, a coat of raw linseed oil or form oil of approved manufacture may be applied in case steel shuttering is used. Soap solution or raw linseed oil shall be applied after thoroughly cleaning the surface. Care shall be taken that the coating does not get on construction joint surface and reinforcement bars.
- iii. Stripping time
In normal circumstances and where ordinary cement is used, forms may be struck after expiry of following periods.
- | | | |
|-----|---|-----------------|
| (a) | Sides of walls, columns, and vertical faces of beam | 24 to 48 hours. |
| (b) | Beam soffits. (Props left under) | 7 days. |
| (c) | Removal of props slabs | |
| | (i) Slabs spanning upto 4.5 m | 7 days. |
| | (ii) Spanning over 4.5 m | 14 days. |
| (d) | Removal of props to beams and Arches | |
| | (i) Spanning up to 6 m | 14 days |
| | (ii) Spanning over 6 m | 21 days |
- iv. Procedure when removing the form work
All form work shall be removed without such shock or vibrations as would damage the reinforced concrete surface. Before the soffit form work and struts are removed, the

TENDER NOTICE No:- UGVCL/PROJECT/RDSS/ARVALLI/096

soffits and the concrete surface shall be exposed where necessary in order to ascertain that the concrete has sufficiently hardened.

v. Centering

- The centering to be provided shall be got approved. It shall be sufficiently strong to ensure absolute safety of the form work and concrete work before, during and after pouring concrete. Watch should be kept to see that behaviour of centering and form work is satisfactory during concreting. Erection should also be such that it would allow removal of forms in proper sequence without damaging either the concrete or the forms to be removed.
- The props of centering shall be provided on firm foundation or base of sufficient strength to carry the loads without any settlement.
- The centering and form work shall be inspected and approved by the Engineer - in - Charge before concreting. But this will not relieve the contractor of his responsibility for strength, adequacy and safety of form work and centering. If there is a failure of form work or centering, contractor shall be responsible for the damages to the work, injury to life and damage to property.

vi. Scaffolding

- All scaffolding, hoisting arrangement and ladders, etc. required for the facilitating of concreting shall be provided and removed on completion of work by contractor at his own expense. The scaffolding, hoisting arrangements and ladders etc. shall be strong enough to withstand all live, dead and impact loads expected to act and shall be subject to the approval of the Engineer - in - Charge. However, contractor shall be solely responsible for the safety of the scaffolding, hoisting arrangement, ladders, work and workman etc.
- The scaffolding, hoisting arrangements and ladders shall allow easy approach to the work spot and afford easy inspection.
- The rate is applicable to all conditions of working and any height. The rate shall include the cost of materials and labour for various operations involved such as:
 - (a) Splayed edges, notching allowance for over laps and passing at angles, battens centering, shuttering, strutting, propping, bolting, nailing, wedging, easing, striking and removal.
 - (b) Filletting to form stop chamfered edges or splayed external angles not exceeding 20mm width to beams, columns and the like.
 - (c) Temporary openings in the forms for pouring concrete, if required, removing rubbish etc.
 - (d) Dressing with oil to prevent adhesion of concrete with shuttering, and
 - (e) Raking or circular cutting.

vii. Re-use

Before re-use, all forms shall be inspected by the Engineer - in - Charge and their suitability ascertained. The forms shall be scarred, cleaned, and joints gone over, repaired where required. Inside surface shall be retreated adhesion of concrete.

Item No. 12: Providing & applying 2 coats of water proof cement paint of approved brand & manufacture on wall & cable trench cover surfaces after thoroughly brushing the surface to remove all dirt and remains of loose materials. The work should be carried out strictly as per manufacturer's specifications and requirement etc. complete as directed by E. I. C.

a) Materials

The water shall confirm to M-1. Cement water proofing shall confirm to IS 5410-1969.

b) Workmanship

i. Scaffolding

TENDER NOTICE No:- UGVCL/PROJECT/RDSS/ARVALLI/096

Where scaffolding is required, it shall be erected in such a way that as far as possible no part of scaffolding shall rest against the surface to be distempered. A properly secured and well tied suspended platform (Joola) may be used for distempering. Where ladders are used, pieces of old gunny bags" shall be tied at top and bottom to prevent scratches to the walls and floors. For distempering to ceiling, proper stage scaffolding shall be erected where necessary.

ii. Preparation of surface:

The undecorated surface to be water proofing cement painted shall be thoroughly brushed from dust, dirt, grease, mortar dropping and other foreign matter and sand papered smooth. The surface shall be thoroughly wetted with clean water before cement water proofing paint is applied.

iii. Preparation of paint:

Portland cement shall be prepared by adding paint powder to water and stirring to obtain a thick paste, which shall then be diluted to a brushable consistency. Generally equal volumes of paint powder and water make a satisfactory paint. In all cases manufacturer's instructions shall be followed. The paint shall be mixed in such quantities as can be used up within an hour of mixing as otherwise the mixture will set and thicken, affecting flowing and finish. The lids of cement paint drums shall be kept tightly when not in use.

iv. Application of Paint:

- No painting shall be done when the paint is likely to be exposed to a temperature of below 7° C within 48 hours after application.
- When weather conditions are such as to cause damage the work shall be carried out "in the shadow" as far as possible. This helps the proper hardening of the paint film by keeping the surface moist for a longer period.
- To maintain the uniform mixture and to prevent segregation, the paint shall be stirred frequently in the bucket.
- For undercoated surfaces, the surfaces shall be treated with minimum two coats of water proof cement paint. Not less than 24 hours shall be allowed between two coats. Next coat shall not be started until the preceding coat shall be allowed between two coats. Next coat shall not be started until the preceding coat has become sufficiently hard to resist marking by the brush being used. In not dry weather, the preceding coat shall be allowed between two coats. Next coat shall not be started until the preceding coat has become sufficiently hard to resist marking by the brush being used. In hot dry weather, the preceding coat shall be slightly moistened before applying the subsequent coat.
- The finished surface shall be even and uniform in shade, without patches, brush marks, paint drops etc.
- The cement paint shall be applied with a brush with relatively short stiff hog or fiber bristles. The paint shall be brushed in uniform thickness and shall be free from excessive heavy brush marks. The lamps shall be well brushed out.
- Water proof cement paint shall not be applied on surfaces already treated with white wash color wash, distemper dry or oil bound varnishes, paint etc. It shall not be applied on gypsum, wood and metal surfaces.

v. Curing:

Painted surfaces shall be sprinkled with water two or three times a day. This shall be done between coats and for at least two days following the final coat. The curing shall be started as soon as the paint has hardened so as not to be damaged by the sprinkling of water say about 12 hours after the application.

TENDER NOTICE No:- UGVCL/PROJECT/RDSS/ARVALLI/096

Item No. 13: Methods for Laying of Cable

The cables shall be laid direct in ground, pipe, closed or open ducts, on cable trays or on surface of wall etc. The method(s) of laying required shall be specified in the Bill of Quantity.

i. Laying direct in ground

• **General**

This method shall be adopted where the cable route is through open ground, along roads/lanes, etc. and where no frequent excavations are likely to be encountered and where re-excavation is easily possible without affecting other services.

• **Trenching**

a) **Width of trench**

The width of the trench shall first be determined on the following basis

- The minimum width of the trench for laying a single cable shall be 35cm
- Where more than one cable is to be laid in the same trench in horizontal formation, the width of the trench shall be increased such that the inter-axial spacing between the cables, except where otherwise specified, shall be at least 20cm.
- There shall be a clearance of at least 15cm between axis of the end cables and the sides of the trench.

b) **Depth of trench**

The depth of the trench shall be determined on the following basis: -

- Where the cables are laid in a single tier formation, the total depth of trench shall not be less than 75cm for cables upto 1.1KV and 1.2m for cables above 1.1KV.
- When more than one tier of cables is unavoidable and vertical formation of laying is adopted, the depth of the trench in (b) as above shall be increased by 30cm for each additional tier to be formed.

c) **Excavation of trenches**

- The trenches shall be excavated in reasonably straight lines. Wherever there is a change in the direction, a suitable curvature shall be adopted.
- Where gradients and changes in depth are unavoidable, these shall be gradual.
- The bottom of the trench shall be level and free from stones, brick bats etc.
- The excavation should be done by suitable means-manual or mechanical. The excavated soil shall be stacked firmly by the side of the trench such that it may not fall back into the trench.
- Adequate precautions should be taken not to damage any existing cable(s), pipes or any other such installations in the route during excavation. Wherever tricked, tiles or protective covers or bare cables are encountered, further excavation shall not be carried out without the approval of the Engineer-in-Charge.
- Existing property, if any, exposed during trenching shall be temporarily supported adequately as directed by the Engineer-in-Charge. The trenching in such cases shall be done in short lengths, necessary pipes laid for passing cables therein.
- If there is any danger of a trench collapsing or endangering adjacent structures, the sides may be left in place when back filling the trench.
- Excavation through lawns shall be done in consultation with the Department concerned.

ii. Laying of cable in trench

• **Sand cushioning**

a) The trench shall then be provided with a layer of clean, dry sand cushion of not less than 8cm in depth, before laying the cables therein.

b) However, sand cushioning as per (a) above need not be provided for MV cables, where there is no possibility of any mechanical damage to the cables due to heavy or shock loading on the soil above.

TENDER NOTICE No:- UGVCL/PROJECT/RDSS/ARVALLI/096

- c) Sand cushioning as per (a) above shall however be invariably provided in the case of HV cables.
- **Testing before laying**
All the time of issue of cables for laying, the cables shall be tested for continuity and insulation resistance test.
 - **Testing before covering**
The cables shall be tested for continuity of cores and insulation resistance and the cable length shall be measured, before closing the trench. The cable end shall be sealed /covered.
 - **Sand covering**
Cables laid in trenches in a single tier formation shall have a covering of dry sand of not less than 17cm above the base cushion of sand before the protective cover is laid. In the case of vertical multi-tier formation, after the first cable has been laid, a sand cushion of 30cm shall be provided over the base cushion before the second tier is laid. If additional tiers are formed, each of the subsequent tiers also shall have a sand cushion of 30cm as stated above. Cables in the top most tiers shall have final sand covering not less than 17cm before the protective cover is laid.
 - **Extra loop cable**
 - a) At the time of original installation, approximately 3m of surplus cable shall be left on each terminal end of the cable and on each side of the underground joints. The surplus cable shall be left in the form of a loop. Where there are long runs of cables such loose cable may be left at suitable intervals as specified by the Engineer-in-Charge.
 - b) Where it may not be practically possible to provide separation between cables when forming loops of a number of cables as in the case of cables emanating from a substation, measurement shall be made only to the extent of actual volume of excavation, sand filling etc. and paid for accordingly.
 - **Mechanical protection over the covering**
 - a) Mechanical protection to cables shall be laid over the covering in accordance with (b) and (c) below to provide warning to future excavators of the presence of the cable and also to protect the cable against accidental mechanical damage by pick-axe blows etc.
 - b) Unless otherwise specified, the cables shall be protected by second class brick of nominal size 22cmX11.4cmX7 cm or locally available size, placed on top of the sand (or, soil as the case may be). The bricks shall be placed breadth-wise for the full length of the cable. Where more than one cable is to be laid in the same trench, this protective covering shall cover all the cables and project at least 5cm over the sides of the end cables.
 - c) Where bricks are not easily available, or are comparatively costly, there is no objection to use locally available material such as tiles or slates or stone/cement concrete slabs.
 - **Back filling**
 - a) The trenches shall be then back-filled with excavated earth, free from stones or other sharp ended debris and shall be rammed and watered, if necessary in successive layers not exceeding 30cm depth.
 - b) Unless otherwise specified, a crown of earth not less than 50mm and not exceeding 100mm in the center and tapering towards the sides of the trench shall be left to allow for subsidence. The crown of the earth however, should not exceed 10 Cms so as not to be a hazard to vehicular traffic.

TENDER NOTICE No:- UGVCL/PROJECT/RDSS/ARVALLI/096

- c) The temporary re-statements of roadways should be inspected at regular intervals, particularly during wet weather and settlements should be made good by further filling as may be required.
- d) After the subsidence has ceased, trenches cut through roadways or other paved areas shall be restored to the same density and materials as the surrounding area and re-paved in accordance with the relevant building specifications to the satisfaction of the Engineer-in-Charge.
- e) Where road beams or lawns have been cut out of necessity, or kerb stones displaced, the same shall be repaired and made good, except for turfing /asphalting, to the satisfaction of the Engineer-in-Charge and all the surplus earth or rock shall be removed to places as specified.
- iii. Laying in pipes / closed ducts**
- a) In locations such as road crossing, entry in to buildings, paved areas etc. cables shall be laid in pipes or closed ducts. Metallic pipe shall be used as protection pipe for cables fixed on poles of overhead lines.
- b) Stone ware pipes, GI, CI or spun reinforced concrete pipes shall be used for cables in general; however only GI pipe shall be used as protection pipe on poles.
- c) The size of the pipe shall not be less than 10cm in diameter for a single cable and not less than 15cm for more than one cable.
- d) In the case of new construction, pipes as required (including for anticipated future requirements) shall be laid along with the civil works and jointed according to the CPWD Building Specifications.
- e) Pipes shall be continuous and clear of debris or concrete before cables are drawn. Sharp edges if any, at ends shall be smoothed to prevent damage to cable sheathing.
- f) These pipes shall be laid directly in ground without any special bed except for SW pipe which shall be laid over 10cm thick cement concrete 1:5:10 (1 cement:5 coarse sand:10 graded stone aggregate of 40mm nominal size) bed. No sand cushioning or tiles need be used in such situations.
- iv. Road crossings**
- a) The top surface of pipes shall be at a minimum depth of 1m from the pavement level when laid under roads, pavements etc.
- b) The pipes shall be laid preferably askew to reduce the angle of bend as the cable enters and leaves the crossing. This is particularly important for HV cables.
- c) When pipes are laid cutting an existing road, care shall be taken so that the soil filled up after laying the pipes is rammed well in layers with watering as required to ensure proper compaction. A crown of earth not exceeding 10cm should be left at the top.
- d) The temporary re-statements of roadways should be inspected at regular intervals, particularly after a rain, and any settlement should be made good by further filling as may be required.
- e) After the subsidence has ceased, the top of the filled up trenches in roadways or other paved areas shall be restored to the same density and material as the surrounding area in accordance with the relevant CPWD Building Specifications to the satisfaction of the Engineer-in-Charge.
- f) Manholes shall be provided to facilitate feeding/drawing in of cables with sufficient working space for the purpose. They shall be covered by suitable manhole covers. Sizes and other details shall be indicated in the Schedule of work.
- v. Cable entry into the building**
- a) Pipes for cable entries to the building shall slope downwards from the building. The pipe at the building end shall be suitably sealed to avoid entry of water, after the cables are laid.



Uttar Gujarat Vij Company Limited

CIN - U40102GJ2003SGC042906
(A subsidiary of Gujarat Urja Vikas Nigam Limited)

TENDER NOTICE No:- UGVCL/PROJECT/RDSS/ARVALLI/096

- b) Cable-grip / draw-wires, winches etc. may be employed for drawing cables through pipes / closed ducts.
- c) Measurement for drawing/ laying cables in pipes/ closed duct shall be on the basis of the actual length of the pipe / duct for each run of the cable, irrespective of the length of cable drawn through.

All other specification which are not mention here under are as per PWD specifications.

TECHNICAL SPECIFICATION OF MATERIALS USED FOR CIVIL WORKS

Additional Technical Specification for TENDER NOTICE No:- UGVCL/PROJECT/RDSS/ARVALLI/096

Signature of Tenderer
Place:

Company's Round Seal
Signature of Tenderer

Page 115 of 176
Date:

TENDER NOTICE No:- UGVCL/PROJECT/RDSS/ARVALLI/096

1. M-1. Water

- i. Water shall not be salty brackish and shall be clean, reasonably clear and free objectionable quantities of silt and traces of oil bad injurious alkalis, salts, organic matter and other deleterious material which will either weaken the mortar of concrete or cause efflorescence or attack the steel in R.C.C. Container for transport, storage and handling of water shall be clean. Water shall conform to the standard specified in I.S.456-1978.
- ii. If required by the Engineer-in-Charge it shall be tested by comparison with distilled water. Comparison shall be made by means of standard cement tests for soundness time of setting and mortar strength as specified in I.S. 269-1976 Any indication of unsoundness, change in time of setting by 30 minutes or more or decrease of more than 10 per cent in strength, of mortar prepared with water sample when compared with the results obtained with mortar prepared with distilled water shall be sufficient cause for rejection of water under test.
- iii. Water for curing mortar, concrete or masonry should not be too acidic or too alkaline. It shall be free of elements which significantly affect the hydration reaction or otherwise interfere with the hardening of mortar or concrete during curing or those which produce objectionable stains or other unsightly deposits on concrete or mortar surfaces
- iv. Hard and bitter water shall not be used for curing.
- v. Potable water will generally found suitable for curing mortar or concrete.

2. M-2 Cement

Cement shall be ordinary Portland cement as per I.S. 12269: 2013.

3. M-3 Sand

- i. Sand shall be natural sand, clean, well graded, hard strong, durable and gritty particles free from injurious amounts of dust, clay kankar nodules, soft or flaky particles shale, alkali salts organic matter, loam, mica or other deleterious substances and shall be got approved from the Engineer-in-Charge. The sand shall not contain more than 8 percent of silt as determined by field test. If necessary, the sand shall be washed to make it clean.
- ii. Coarse Sand: The fineness modulus of coarse sand shall not be less than 2.5-and shall not exceed 3.0, The sieve analysis of coarse shall be as under:

I.S Designation	Sieve Passing	Percentage by weight	I.S. Sieve percentage
	sieve	Designation	weight passing sieve
4.75mm	100	600 Micron	30-100
2.36mm	90 to 100	300 Micron	5-70
1.18mm	70-100	150 Micron	0-50

iii. Fine Sand:

The fineness modulus shall not exceed 1.0. The sieve analysis of fine sand shall be as under:

I.S Designation	Sieve	Passing	Percentage by weight	I.S. Sieve percentage
-----------------	-------	---------	----------------------	-----------------------



Uttar Gujarat Vij Company Limited

CIN - U40102GJ2003SGC042906
(A subsidiary of Gujarat Urja Vikas Nigam Limited)

TENDER NOTICE No:- UGVCL/PROJECT/RDSS/ARVALLI/096

	sieve	Designation	by weight passing sieve
4.75mm	100	600 Micron	40-85
2.36mm	100	300 Micron	5-50
1.18mm	75-100	150 Micron	0-10

4. M-4. Stone Grit

- i. Grit shall consist of crushed or broken stone and be hard, strong, dense, durable, clean of proper gradation and free from skin or coating likely to prevent proper adhesion of mortar. Grit shall generally be cubical in shape and as far as possible flakey elongated pieces shall be avoided. It shall generally comply with the provisions of I.S. 383-1970. Unless special stone of particular quarries is mentioned grit shall be obtained from the best black trap or equivalent hard stone as approved by the Engineer-in-Charge. The grit shall have no deleterious with cement.
- ii. The grit shall conform to the following gradation as per sieve analysis:

I.S Designation	Sieve	Passing	Percentage by weight Designation	I.S. Sieve percentage by weight passing sieve
1250mm	100 %		4.75mm	0-20 %
10.00mm	85-100 %		2.36mm	0-25%

- iii. The crushing strength of grit will be such as to allow the concrete in which it used to build-up the specified strength of concrete
- iv. The necessary tests for grit shall be carried out as per the requirements of I.S.2386-(parts-I of VIII) 1963, as per instructions of the Engineer-in-Charge. The necessity of test will be decided by the. Engineer-in-Charge.

5. M-5 Cement Mortar

- i. Water shall conform to specification M-1 Cement: Cement shall conform to specifications M-3 Sand: Sand shall conform to M-6
- ii. **Proportion of Mix**
Cement and sand shall be mixed to specified proportion, sand being measured by measuring boxes, the proportion of cement will be by volume on the basis of 50 Kg/Bag of cement being equal to 0.0342 Cu.m. The mortar may be hand mixed or machine mixed as directed.
- iii. **Proportion of Mortar:**
In hand mixed mortar, cement and sand in the specified proportions shall be thoroughly mixed dry on a clean impervious platform by turning over at least 3 times or more till a homogeneous mixture of uniform colour is obtained. Mixing platform shall be so arranged, that no deleterious extraneous material shall get mixed with mortar or mortar shall flow out. While mixing, the water shall be gradually added and thoroughly mixed to form a stiff plastic mass of uniform colour so that each particle of sand shall be completely covered with a film of wet cement. The water cement ratio shall be adopted as directed.
The mortar so prepared shall be used within 30 minutes of adding water. Only such quantity of mortar shall be prepared as can be used within 30 minutes.

TENDER NOTICE No:- UGVCL/PROJECT/RDSS/ARVALLI/096

6. M-6 Stone Coarse Aggregate for Nominal Mix Concrete

- i. coarse aggregate shall be of machine crushed stone of black trap or equivalent and be hard, strong, dense, durable, clean and free from skin and coating likely to prevent proper adhesion of mortar.
- ii. The aggregate shall generally be cubical in shape. Unless special stones of particular quarries are mentioned aggregates shall be machine crushed from the best black trap or equivalent hard stone as approved. Aggregate shall Have no deleterious reaction with cement. The size of the coarse aggregate for plain cement and ordinary reinforced cement concrete shall generally be as per the table given below However, in case of reinforced cement concrete the maximum limit may be restricted to 6 mm less than the minimum lateral clear distance between bars or 6 mm. less than the cover whichever is smaller

TABLE

IS. Sieve	Percentage passing for single	IS. Sieve	Percentage passing for single
Designation	Sized aggregates of Nominal size 40mm 20mm 16mm	Designation	Sized aggregates of Nominal size 40mm 20mm 16mm
80mm	-	12.5mm	0.5 0.20
63mm	100	10 mm	0.5 0.5
40mm	85-100 100	4.75mm	
20mm	0.2 85-100 100	2.35 mm	
16mm	85-100		

Note: This percentage may be varied somewhat by the Engineer-in-Charge when considered necessary for obtaining better density and strength of concrete.

- iii. The grading test shall be taken in the beginning and at the change of source of materials. The necessary tests Indicated in IS 383-1970 and 456-1978 shall have to be carried out to ensure the acceptability. The aggregates shall be stored separately and handled in such a manner as to prevent the mixing of different aggregates. If she aggregates are covered with dust, they shall be washed with water to make them clean.

7. M-7 Black Trap or Equivalent Hard Stone Coarse

- i. Aggregate for Design Mix Concrete Coarse aggregate shall be of machine crushed stone of black trap or equivalent hard stone and be hard, strong, dense, durable, clean and free from skin and coating likely to prevent proper adhesion of mortar,
- ii. The aggregates shall generally-be cubical in shape. Unless special stones of particular quarries are mentioned, aggregates shall be machine crushed from the best, black trap or equivalent hard stones as approved, Aggregate shall have no deleterious with cement.
- iii. The necessary tests indicated in IS. 383-1970 and IS.456-1978 shall have to be carried out to ensure the acceptability of the material. If aggregate is covered with dust it shall be washed with water to make it clean.

8. M-8 Brick

- i. The brick shall be shall be machine moulded and made from suitable fly ash, cement, lime, gypsum, etc. They shall be free from cracks and nodules of free lime. They shall have smooth rectangular faces with sharp corners and shall be of uniform colour. The bricks shall be moulded with the frog of 100mm x 40 mm and 10mm to 20mm deep on

TENDER NOTICE No:- UGVCL/PROJECT/RDSS/ARVALLI/096

one of its flat sides. The bricks shall not break when thrown on the ground from a height of 600mm.

- ii. The size of the modular bricks shall be 190 x 90 x 90 mm.
- iii. The size of the conventional bricks shall be 225 x 110 x 75mm.
- iv. Only bricks of one standard size shall be used on one work. The following tolerance shall be permitted in the conventional size adopted in a particular work. Length +3.0mm, Width + 1.50mm, Height +1.50mm.
- v. The crushing strength of the brick shall not be less than 35.0 Kg / Sq cm. The average water absorption shall not be less than 20 per cent by weight. Necessary test for crushing strength and water absorption shall be carried out as per IS 3495: (Part I to Part IV) 1976.

9. M-9. Mild Steel Binding Wire

- i. The mild steel wire shall be of 1.63 mm. or 1.22 mm. (16 to 18 gauge) diameter and shall conform to I.S. 280-1972.
- ii. The use of black wire will be permitted for binding reinforcement bars. It shall be free from rust, oil paint, grease, loose mill scale or any other undesirable coating which may prevent adhesion of cement mortar.

10. M-10. Structural Steel

All structural Steel shall conform to I.S. 226-1985. The steel shall be free from the defects mentioned in I.S. 226-1975 and shall have a smooth finish. The material shall be free from loose mill scale, rust pits or other defects affecting the strength and durability. River bars shall conform to I.S. 1148-1973. When the steel is supplied by the Contractor test certificate of the manufacturers shall be obtained according to I.S. 226-1975 and other relevant Indian. Standards.

11. M-11 Shuttering

- i. The shuttering shall be either of ply wood planking of appropriate thickness with or without steel lining or of steel plates stiffened by steel angles. The shuttering shall be supported on battens and beams and props of vertical ballies properly cross braced together so as to make the centering rigid. In places of bulli props, brick pillar of adequate section built in mud mortar may be used.
- ii. The form work shall be sufficiently strong and shall have camber, so that it assumes correct shape after deposition of the concrete and shall be able to resist forces caused by vibration of live load of men working over it and other incidental loads associated with it. The shuttering shall have smooth and even surface and its joints shall permit leakage of cement grout.
- iii. If at any stage of work during or after placing concrete in the structure, the form work sags or bulges out beyond the required shape of the structure, the concrete shall be removed and work redone with fresh concrete and adequately rigid form work. The complete formwork shall be got inspected by and got approved from the Engineer-in-Charge, before the reinforcement bars are placed in position
- iv. The props shall consist to bullies having 100 mm. minimum diameters measured at mid length and 80mm. at thin end shall be placed as per design requirement. These shall rest squarely on wooden sole plates 40 mm. thick and minimum bearing area of 0-10 sq m. laid on sufficiently hard base.
- v. Double wedges shall further be provided between the sole plate and the wooden props so as to facilitate tightening and easing of shuttering without jerking the concrete.
- vi. The wood used in shuttering shall not be so dry as to absorb water from concrete and swell or bulge nor so green or wet as to shrink after erection. The timber shall be

TENDER NOTICE No:- UGVCL/PROJECT/RDSS/ARVALLI/096

- properly sawn and planed on the sides and the surface coming in contact with concrete, Wooden form work with metal sheet lining or steel plates stiffened by steel angles shall be permitted,
- vii. As far as practicable, clamps shall be used to hold the forms together and use of nails and spikes avoided.
- viii. The surface of timber shuttering that would come in contact with concrete shall be well wetted and coated with soap solution before the concreting is done. Alternatively coat of raw linseed oil or oil of approved manufacture may be applied in place of soap solution. In case of steel shuttering either soap solution or raw linseed oil shall be applied after thoroughly cleaning the surface. Under no circumstances black or burnt oil shall be permitted.
- ix. The shuttering for beams and slabs shall have camber of 4 mm. per meter.
- x. (1in250) or as directed by the Engineer-in-Charge so as to offset the subsequent deflection. For cantilevers, the camber at free end shall be 1/50 of the projected length or as directed by the Engineer-in-Charge.



Uttar Gujarat Vij Company Limited

CIN - U40102GJ2003SGC042906
(A subsidiary of Gujarat Urja Vikas Nigam Limited)

TENDER NOTICE No:- UGVCL/PROJECT/RDSS/ARVALLI/096

TECHNICAL TERMS AND CONDITIONS

(8M/200Kg):

There may be changes in Technical Terms and Conditions mentioned herein below at the discretion of Company .The bidder are requested to consider final Technical Terms and Condition while filing tender as mentioned in the tender and amended from time to time’.

1	<p>SCOPE OF WORK: The scope of the work covers fabrication and supply PSC Poles of 8 meter long and 200Kgs. working (transverse) load in accordance with the technical terms and drawing of this specification. Alternate design / specifications shall not be considered which may be noted.</p>																														
2	<p>DIMENSIONS AND TOLERANCES:</p> <table border="1" style="width: 100%; border-collapse: collapse;"> <thead> <tr> <th style="width: 5%;">SR NO</th> <th style="width: 35%;">DESCRIPTION</th> <th style="width: 20%;">STANDARD IN MM</th> <th style="width: 20%;">MAXIMUM IN MM</th> <th style="width: 20%;">MINIMUM IN MM</th> </tr> </thead> <tbody> <tr> <td style="text-align: center;">1</td> <td>LENGTH</td> <td style="text-align: center;">8000</td> <td style="text-align: center;">8015</td> <td style="text-align: center;">7985</td> </tr> <tr> <td style="text-align: center;">2</td> <td>WIDTH - TOP - BOTTOM</td> <td style="text-align: center;">114.3 336.55</td> <td style="text-align: center;">117.3 339.55</td> <td style="text-align: center;">111.3 333.55</td> </tr> <tr> <td style="text-align: center;">3</td> <td>THICKNESS</td> <td style="text-align: center;">139.7</td> <td style="text-align: center;">142.7</td> <td style="text-align: center;">136.7</td> </tr> <tr> <td style="text-align: center;">4</td> <td>UP RIGHTNESS</td> <td style="text-align: center;">1 TO 72</td> <td style="text-align: center;">0.5 %</td> <td style="text-align: center;">0.5 %</td> </tr> <tr> <td style="text-align: center;">5</td> <td>PLANTING DEPTH</td> <td style="text-align: center;">1381</td> <td style="text-align: center;">-</td> <td style="text-align: center;">-</td> </tr> </tbody> </table> <p>NOTE: All dimensions are in mm.</p>	SR NO	DESCRIPTION	STANDARD IN MM	MAXIMUM IN MM	MINIMUM IN MM	1	LENGTH	8000	8015	7985	2	WIDTH - TOP - BOTTOM	114.3 336.55	117.3 339.55	111.3 333.55	3	THICKNESS	139.7	142.7	136.7	4	UP RIGHTNESS	1 TO 72	0.5 %	0.5 %	5	PLANTING DEPTH	1381	-	-
SR NO	DESCRIPTION	STANDARD IN MM	MAXIMUM IN MM	MINIMUM IN MM																											
1	LENGTH	8000	8015	7985																											
2	WIDTH - TOP - BOTTOM	114.3 336.55	117.3 339.55	111.3 333.55																											
3	THICKNESS	139.7	142.7	136.7																											
4	UP RIGHTNESS	1 TO 72	0.5 %	0.5 %																											
5	PLANTING DEPTH	1381	-	-																											
3	<p>WORKMANSHIP: The contractor will be responsible for the general soundness as well as good finish of each pole. The workmanship should be of high degree and poles having flaws and defects will be rejected.</p>																														
4	<p>STANDARDS: The poles shall comply with the relevant provisions made in the following Indianstandard specifications with latest amendment.</p> <p>i) IS: 1678/1998: Specification for Prestressed concrete poles for overhead Power traction and telecommunication lines ii) IS: 2905/1989: Method of test for concrete poles for Overhead Power andTelecommunication lines. iii) IS:1343 & IS: 456:Code of practice for Prestressed and plain/reinforced Concrete.</p>																														

TENDER NOTICE No:- UGVCL/PROJECT/RDSS/ARVALLI/096

5	<p>MATERIALS: The materials shall conform to this specification and be in accordance with the guaranteed particulars given. The Consumption of materials per PSC Pole with minimum limit indicated below:</p> <ol style="list-style-type: none">1. Cement 53 grade/43 grade 1.61/1.45 Bags. For concrete mix2. 4mm H.T. Steel wire 12 nos. - For tension wire.3. 4mm H.T. Steel wire 24 Nos. Rings.
	<p>The consumption indicated above shall be inclusive of variations inclusive rolling margin. The consumption of cement shall be inclusive of quantity required in finishing work. PSC Pole under destruction test shall be to the Supplier's account.</p> <p>The quality of materials to be used for manufacturing of PSC poles shall be as under.</p> <p>[A]CEMENT: The Ordinary Portland Cement used in manufacture of prestressed concrete poles shall be relevant to IS: 8112/1989 of 43-Grade / 53- Grade to get 28 days strength of 450 Kg/ cm².</p> <p>[B] STEEL: The 4mm H.T. Steel wire used in manufacture of Prestressed concrete poles shall be conforming to IS 6003/1983 of latest amendment thereof respectively.</p> <p>[C]AGGREGATE: Aggregate used for the manufacturing of Prestressed concrete poles shall conform to IS: 383-1963. Aggregate shall consist of naturally occurring crushed black metal. They shall be hard, strong, dense, durable, clear and free from veins and adherent coating, and free from injurious amount of disintegrated pieces, alkali, vegetable material, and other deteriorious substances. As far as possible flaky and Elongated pieces should be avoided. It should not contain organic or other admixture that may cause corrosion of the reinforcement or impair the strength or durability of the concrete.</p> <p>The coarse aggregate shall consist of trap (preferably black) metal and in no case exceed 20 mm size. The fine aggregate shall be sharp, free from impurities and required fineness modules as specified. The sand shall be washed before use by installing a sand washing machine in the factory and the same shall not contain silt and deteriorious materials. The grading of fine aggregate shall be in accordance with IS: 2386 - 1963 with latest amendment.</p> <p>[D]WATER: Water to be used for process of manufacturing PSC poles like concrete mix and curing should be free from chlorides, other salts and organic materials and it should be got tested in Govt. Laboratory at test once in a year by the party. Potable water is preferable.</p>

TENDER NOTICE No:- UGVCL/PROJECT/RDSS/ARVALLI/096

5	<p>STORAGE OF MATERIALS</p> <p>The cement shall be stored at the work side in such a manner as to prevent deterioration due to moisture or intrusion of foreign matter.</p> <p>Steel reinforcement shall ordinary be staggered in such a way so as to avoid distortion and to prevent deterioration and corrosion, it is good practice to coat reinforcement with cement wash before stacking to prevent scale and rust.</p> <p>The aggregates shall be stored in such a way as to prevent mixing of foreign materials. The heaps of fine and coarse aggregates shall be kept separately. When different sizes of fine or coarse aggregate are procured separately, they shall be stored in separate stockpiles, to prevent the material at the edges of the piles from getting intermixed.</p> <p>Any material, which has deteriorated or has been damaged or is otherwise considered defective, shall not be used for the concrete.</p>
6	<p>TESTING OF MATERIALS:</p> <p>The Supplier shall arrange for the necessary testing of the material like Metal, Sand, Water etc. and see that the materials to be used in the manufacturing confirm to relevant IS</p>
7	<p>METHOD OF MANUFACTURING OF PSC POLES:</p> <p>The Prestressed concrete poles are generally manufactured by long line multiple bed method for mass production.</p> <p>(A) BED AND MOULD:</p> <p>The length and number of rows of concrete casting bed shall be according to the production capacity of pole factory. Preferably one pole bed separately should be provided to minimise wastage of H.T.Steel wire.</p> <p>The Prestressed poles are to be cast in a steel mould having accurately machined bottom bed and side faces. The steel mould should be strong enough to resist distortion. The bed should be absolutely horizontally levelled and free from any undulation. The mould should be capable of being opened in such a way that edges of the poles are not damaged.</p> <p>At both the ends of row of concrete casting bed, the anchor blocks are provided for fixing and stretching of H.T.Steel Wire.</p> <p>(B) STIRRUPS:</p> <p>The stirrups shall be prepared as per the design / drawing of the UGVCL from 4 MM dia H.T. Steel. The stirrups shall be placed in position as per approved drawing. Stirrups shall have standard lap lengths and be welded to ensure maintaining proper shape and position. .</p> <p>(C) PREPARATION OF REINFORCEMENT:</p> <p>All the reinforcement and window boxes shall be accurately placed and maintained in position during the fabrication. As per the Design / Drawing all the stirrups made out of H.T.steel, H.T.Steel wire shall be placed in respective position of the mould and thereafter continuous H.T.Steel wires are arranged through holes and plates of the mould. The welded joints in H.T. Steel wire will not be permitted. The H.T.Steel wires are stretched up</p>

TENDER NOTICE No:- UGVCL/PROJECT/RDSS/ARVALLI/096

to the required tension 10% of UTS as specified in relevant I.S. code with the help of Jacks and anchor blocks. All the wires shall be accurately stretched with uniform prestressing in each wire. Each wire shall be anchored positively during the casting. The tension applied shall be checked with the help of suitable Gauge/Meter.

(D) CONCRETE MIX:

The concrete mix to be used for manufacturing of PSC Poles shall be prepared by weight batching only in such a manner and proportion so as to achieve the compressive strength of the concrete mix as per IS: 456 and none of the test specimen shall have strength less than 225 and 450 KG/CM² after 3 and 28 days respectively. The cement concrete shall be mixed only in electrically / mechanically operated concrete mixer machine. Gradation of the aggregate used

in concrete mix shall adhere to the appropriate Mix Design and proportions be checked in regular interval. Water in concrete shall be added with proper measurement to maintain required water cement ratio. The hand broken metal shall not be permitted.

(E) PLACING OF CONCRETE MIX:

The mould should be free from Dust, Dirt and other organic materials and oil is to be applied before placing the concrete mix. The machine mixed concrete is, thereafter poured in the mould and shall be compacted by spinning, vibrating, shocking or other suitable mechanical means. Over-vibration or under-vibration or vibration of very wet mix is harmful and should be avoided. The Hand compaction shall not be permitted.

On application of vibrator the concrete Mix will compact & get to 2 to 3 mm below form/mould level. This gap shall also be filled up with prepared concrete Mix only & re vibrated. The mixture of cement & sand for filling up the gap as well as finishing work will not be permitted. Finishing work shall be done only with cement slurry.

Care should be taken to see that anchorages do not yield before concrete attains necessary strength. Proper cover for concrete should be maintained throughout process of pouring, compacting etc. of concrete mix.

On achieving setting time, the side faces of the mould shall be removed from the bed and watered at intervals to prevent the surface cracking of the pole.

The concrete shall be covered with a layer of sacking, canvas, Hessian or similar absorbent materials and kept constantly wet up to the time when the strength of the concrete reaches to the minimum strength of the concrete at transfer of prestress i.e. for about 72 hours.

The Steam curing may be permitted in exigency or emergency cases with the approval of the competent authority only.

(F) DETENSIONING, CUTTING OF WIRE AND REMOVING OF POLES FROM THE BED:

After ascertaining that concrete has attained required strength of min. 225 KG/CM² by checking the cube strength stretched wires are released from the anchor blocks and cut with the help of welding machine. The cutting shall be started only from the centre of the bed length. The pole is then removed from the bed by lifting at 2 points using gantry and moved to the Curing Pond.

TENDER NOTICE No:- UGVCL/PROJECT/RDSS/ARVALLI/096

	<p>(G) CURING: The curing of the pole shall commence after setting of the concrete. Continuous curing on bed should be done till it is shifted to curing pond, The curing pond shall be full of water and each pole must be immersed in the water for a period of at least 28 days. If required, water sprinkling shall be done at intervals to keep the poles constantly wet as per I.S.No.1678-1998.</p> <p>(H) STORING OF POLES READY FOR INSPECTION: The poles prepared vide method stated above shall be stacked in chronological method and indication of the date of manufacturing and number of poles be put before with particular lot so as to identify the lot by inspecting officer.</p>
8	<p>MARKING: The poles shall be clearly and indelibly marked with the following particulars during manufacture, at a position between 5th (W5) and 6th (W6) window indicated in the drawing so as to easily read after erection in position. The mark shall be done by pressing embossed figures / letters of 50 mm height and 20 mm width with gap of 5 mm between two figures. The sample drawing No. - C 583 - R-2 is attached with the tender.</p> <p>(a) Date, month & year of manufacture, (On front face) (b) Serial number of pole, and (On front face) (c) Maker's serial number or mark (On front faces) Maker's serial number or mark on both sides of faces in oil painting to be marked before placing in curing pond. (d) UGVCL (in words) (above planting depth) The pole shall also be suitably marked for the planting depth i.e. 1381 mm from bottom. On both the end of pole the anti-corrosive paint i.e. epoxy based bituminous paints two coats are to be applied. One before putting in curing pond and second after removing from the pond.</p>
9	<p>CUBE TESTING: Total 6 Nos. Cubes of 100mm X 100mm X 100mm size concrete shall be cast daily and tested at release, i.e. after approx. 72 Hours of cast as well as after 28 days, in accordance with Indian Standard specification at Supplier's own expense. The mix for concrete adopted shall be such as to give cube strength not less than 225Kg/cm² at release (after 3 days) and 450 Kg/cm² after 28 days.</p> <p>Cube testing machine shall always be kept in the working condition and regular cube tests shall be taken and results be recorded in the registers duly signed by engineer-in -charge and representative of the Supplier.</p>



Uttar Gujarat Vij Company Limited

CIN - U40102GJ2003SGC042906
(A subsidiary of Gujarat Urja Vikas Nigam Limited)

TENDER NOTICE No:- UGVCL/PROJECT/RDSS/ARVALLI/096

10	<p>SAMPLING AND CONFORMITY</p> <p>1] LOT:</p> <p>A. In any batch, all poles of the same class and same dimensions shall be grouped together to constitute a LOT.</p> <p>B. If the number of poles in a lot exceeds 500 then the lot shall be divided into suitable number of SUB-LOTS such that the number of poles i.e. any sub-lot shall not exceed 500. The acceptance or otherwise of a sub lot shall be determined on the basis of the performance of sample selected from it.</p> <p>2] Scale of Sampling: The number of poles to be selected from a lot or a sub-lot shall depend upon its size and shall be in accordance with col.1&2 of the table given below.</p>																								
1	<p align="center">SAMPLE SIZE AND CRITERIA OF CONFORMITY</p>																								
	<p align="center">DIMENSIONAL REQUIREMENTS.</p> <table border="1" style="width:100%; border-collapse: collapse; margin: 5px auto;"> <thead> <tr> <th style="text-align: center;">Size of lot Sub-Lot</th> <th style="text-align: center;">Sample size</th> <th style="text-align: center;">Permissible No. of Defective samples.</th> <th style="text-align: center;">NO. Of sample Poles Or (Out of Col.2) for Transverse Strength test</th> </tr> <tr> <th style="text-align: center;">(1)</th> <th style="text-align: center;">(2)</th> <th style="text-align: center;">(3)</th> <th style="text-align: center;">(4)</th> </tr> </thead> <tbody> <tr> <td style="text-align: center;">Up to 100</td> <td style="text-align: center;">10</td> <td style="text-align: center;">1</td> <td style="text-align: center;">2</td> </tr> <tr> <td style="text-align: center;">101 to 200</td> <td style="text-align: center;">15</td> <td style="text-align: center;">1</td> <td style="text-align: center;">3</td> </tr> <tr> <td style="text-align: center;">201 to 300</td> <td style="text-align: center;">20</td> <td style="text-align: center;">2</td> <td style="text-align: center;">4</td> </tr> <tr> <td style="text-align: center;">301 to 500</td> <td style="text-align: center;">30</td> <td style="text-align: center;">3</td> <td style="text-align: center;">5</td> </tr> </tbody> </table>	Size of lot Sub-Lot	Sample size	Permissible No. of Defective samples.	NO. Of sample Poles Or (Out of Col.2) for Transverse Strength test	(1)	(2)	(3)	(4)	Up to 100	10	1	2	101 to 200	15	1	3	201 to 300	20	2	4	301 to 500	30	3	5
Size of lot Sub-Lot	Sample size	Permissible No. of Defective samples.	NO. Of sample Poles Or (Out of Col.2) for Transverse Strength test																						
(1)	(2)	(3)	(4)																						
Up to 100	10	1	2																						
101 to 200	15	1	3																						
201 to 300	20	2	4																						
301 to 500	30	3	5																						
	<p>3] Number of Tests: All the poles as selected as above shall be tested for overall length, cross-section and uprightness. The number of poles to be tested for transverse strength test shall be in accordance with col 4 of table. These poles may be selected from those already tested.</p> <p>4] Criteria of conformity: A lot or sub-lot shall be considered as conforming to the specification if the conditions under are satisfied. The numbers of poles which does not satisfy the requirements of overall length; cross-section and uprightness shall not exceed the corresponding number given in col.3 of Table. If the number of such poles exceeds the corresponding number, all poles in the lot or sub-lot shall be tested for these requirements, and those not satisfying the requirements shall be rejected. All the poles tested for transverse strength test shall satisfy the requirements of the test. If one or more poles fail, twice the number of poles originally tested shall be selected from those already selected, and subjected to the test. If there is no failure among these poles, the lot or the sub-lot shall be considered to have satisfied the requirements of this test. If one or more poles of the second samples fail, the lot or the sub-lot represented by the corresponding samples shall be considered not to have passed the test.</p>																								

TENDER NOTICE No:- UGVCL/PROJECT/RDSS/ARVALLI/096

11	<p>METHOD OF INSPECTION AND TESTING GENERAL:</p> <p>The tests on poles shall not be carried out earlier than 28 days from date of manufactured for poles manufactured from ordinary Portland cement. If a chloride free admixture is used or rapid hardening Cement of Grade 43 / 53 is used than pole can be tested at 14 days of age. The specimens shall be inspected and any specimen with visible flaws shall be discarded. If any test specimen fails because of mechanical reasons, such as failure of testing equipment or improper specimen preparation, it shall be discarded and another specimen shall be taken.</p> <p>INSPECTION:</p> <p>The Tenderer shall offer Ready Made PSC Poles lot for inspection and relevant tests.</p> <p>(01) DIMENSIONS:</p> <p>All the Poles shall be manufactured in accordance with the detailed dimensional drawing.</p> <p>The tolerance on dimension shall be limited to...</p> <p>(i) For length - □ 15 mm. (ii) For Web thickness - □ 5 mm. (iii) Upright ness - 0.5 % (i.e. 72 to 1.005 / 0.995)</p>
	<p>(02)METHOD OF TESTING:</p> <p>The pole shall be tested only in the horizontal position or as specified in I.S. 1678 / latest amendment & I.S. 2905 /1989 latest amendment .While testing in the horizontal position, provision shall be made by suitable supports to compensate for the overhanging weight of the pole; for this purpose the overhanging portion of the pole may be supported on a movable trolley or similar device. The frictional resistance of the supporting devices should be separately determined and deducted from the total final load applied on the pole.</p> <p>Theoretically the permanent deflection should be as per IS 2905 / 1966 and latest amendment thereof. The recovery of deformations should not be less than 90%.</p> <p>A] Testing Arrangement -</p> <p>The pole shall be fixed in the crib longitudinally from butt to its ground line and then it shall be secured firmly in place. Wooden saddles with concave surfaces and other packing shall be placed around the pole to prevent injury to the butt section as specified in IS: 2905/1966 - latest amendment.</p> <p>To minimize vertical movement at the point of load application and to reduce the stresses due to dead weight of the pole, a rail support shall be provided near the point of load application, or alternately a number of friction less supports in the form of trolleys may be provided near the end or throughout the length of the pole. The rail support or other forms of support shall be such that any friction associated with the deflection of the pole under load shall not be a significant portion of the measured load on the pole.</p>

TENDER NOTICE No:- UGVCL/PROJECT/RDSS/ARVALLI/096

B] **Loading** - The load shall be applied at a point 600 mm from the top of the pole by means of a suitable device, such as a wire rope and winch placed in a direction normal to the direction of the length of the pole, so that the minimum length of the straight rope under pull (excluding the curved portion near the transmitting devices) is not less than two times the length of the pole. If the loading device is set sufficiently far away from the pole to make the angle between the initial and final positions of pulling line small, the error in assuming that the pull is always perpendicular to the original direction of the pole axis will be negligible. The pulling line shall be kept level between the winch position and the point where load is applied to the pole. The load shall be applied at a constant rate of 4 percent of the specified test load per minute and in accordance with procedure.

C] **Pulling Line:** The pulling line shall be secured around the pole at the load point. Load measuring device shall be placed in a way so as to accurately measure in the tension in the pulling line. The other end of which is attached to the loading equipment (winch).

Load Measurement: Load Cell with accuracy of 5 Kg. for measurement may be adopted. Load cell shall be calibrated before every test. The load measuring device shall be supported in such a way that the force required to pull it shall not add to the measured load on the pole and that no damage is cause to the instrument if the pole suddenly breaks under test. No pullies or any other device in between load application point and load cell will be allowed.

E] **Deflections** - The deflection of the pole and the load applied shall be measured simultaneously at different stages of loading to provide at least five sets of readings or as specified in I.S.2905 & latest amendment thereof. The measurement of the deflection of the load point shall be made in a direction perpendicular to the unloaded position of the pole axis. The measurement shall be made correct to the nearest 1 mm by use of datum board. A second datum line shall also be established from which the movement of the ground line if any, shall be measured.

F] **PROCEDURE:** Load shall be applied at a point 600 mm from the top of the pole and shall be steadily and gradually increased to 250 kg. till formation of 1st crack recording deflection at each increment.

The load shall be then reduced to zero and then increased gradually in 50 Kg. increments up to 400Kg load. Then Each load increment be successively increased by 25Kg. up to design ultimate transverse load (i.e. 500 Kgs.). The load shall be increased in steps of 25 Kgs. to measure ultimate transverse load, until failure occurs. Each time the load is applied same shall be held for 2 minutes. The load applied to Prestressed concrete poles at the point of failure shall be measured to the nearest five kilograms.

TENDER NOTICE No:- UGVCL/PROJECT/RDSS/ARVALLI/096

	<p>G] RECORDING OF DATA AND MEASUREMENTS: (i) Any hair cracks appearing at a stage prior to the application of the design transverse load at first crack shall be measured using feeler gauges & shall be recorded. It should also be recorded, whether the hair cracks, if any, produced on application of the 60 percent of the minimum ultimate transverse load close up on the removal or reduction of the test load.</p> <p>(ii) The load applied to the pole at the time of failure shall be measured to the nearest 5Kg.</p> <p>iii) A Prestressed concrete pole shall be deemed not to have passed the test if crack wider than 0.1mm appears at a stage prior to the application of the design transverse load at first crack (200 Kgs.)</p> <p>(iv) The definition of failure of PSC Pole in test will be (i) permanent set more than 2.5 Cm. at load of 500 Kgs. Or (ii) Deflection of more than 25 Cms at load of 500 Kgs.</p> <p>H] ULTIMATE FAILURE:</p> <p>The conditions existing when the pole ceases to sustain a load increment owing to either crushing of concrete or snapping of the Prestressing tension or permanent stretching of the steel in any part of the pole.</p> <p>In order to access ultimate load carrying capacity of the pole, UGVCL reserves the right to test 1 (One) no. of pole up to destruction test out of total 1000 no. of poles. This one no. of pole shall not form part of quantity to be supplied by the Supplier.</p> <p>At least one pole shall be subjected to destruction test in the contract in presence of representative from UGVCL, Mehsana.</p>																								
	<p>TECHNICAL DATA OF PSC POLES</p> <p>The Guaranteed Particulars of PSC Poles 8 Mtr. 200 Kg.</p> <table><tr><td>01. Working load</td><td>: 200 Kg.</td></tr><tr><td>02. Factor of safety</td><td>: 2.5</td></tr><tr><td>03. Ultimate Load</td><td>: 500 Kgs.</td></tr><tr><td>04. Dimensions</td><td>:</td></tr><tr><td>(a) Bottom Cross-Section</td><td>: 336.55 x 139.7 mm.</td></tr><tr><td>(b) Top Cross-Section</td><td>: 114.3 x 139.7 mm.</td></tr><tr><td>(c) Total height</td><td>: 8,000 mm.</td></tr><tr><td>(d) Web thickness.</td><td>: 57.15 mm (2.25 inch)</td></tr><tr><td>(e) Planting Depth</td><td>: 1381 mm.</td></tr></table> <p>06. No. of 20mm dia. holes.</p> <p>On Front face : 02 nos. (100 mm apart).</p> <p>On side face : 06 nos. (300 mm apart).</p> <p>07. Minimum requirement:</p> <table><tr><td>(a) Cube Test (Each Specimen)</td><td>: 450 Kg/Cm² (28 days).</td></tr><tr><td></td><td>: 225Kg/Cm² (3 days)- at release of Prestress.</td></tr><tr><td>(b) Initial tension in HT Steel Wire/Pole.</td><td>: 70% of 175.00 Kg/mm²</td></tr></table> <p>as specified in related I.S.Code</p>	01. Working load	: 200 Kg.	02. Factor of safety	: 2.5	03. Ultimate Load	: 500 Kgs.	04. Dimensions	:	(a) Bottom Cross-Section	: 336.55 x 139.7 mm.	(b) Top Cross-Section	: 114.3 x 139.7 mm.	(c) Total height	: 8,000 mm.	(d) Web thickness.	: 57.15 mm (2.25 inch)	(e) Planting Depth	: 1381 mm.	(a) Cube Test (Each Specimen)	: 450 Kg/Cm ² (28 days).		: 225Kg/Cm ² (3 days)- at release of Prestress.	(b) Initial tension in HT Steel Wire/Pole.	: 70% of 175.00 Kg/mm ²
01. Working load	: 200 Kg.																								
02. Factor of safety	: 2.5																								
03. Ultimate Load	: 500 Kgs.																								
04. Dimensions	:																								
(a) Bottom Cross-Section	: 336.55 x 139.7 mm.																								
(b) Top Cross-Section	: 114.3 x 139.7 mm.																								
(c) Total height	: 8,000 mm.																								
(d) Web thickness.	: 57.15 mm (2.25 inch)																								
(e) Planting Depth	: 1381 mm.																								
(a) Cube Test (Each Specimen)	: 450 Kg/Cm ² (28 days).																								
	: 225Kg/Cm ² (3 days)- at release of Prestress.																								
(b) Initial tension in HT Steel Wire/Pole.	: 70% of 175.00 Kg/mm ²																								

TENDER NOTICE No:- UGVCL/PROJECT/RDSS/ARVALLI/096

TECHNICAL TERMS AND CONDITIONS

(10M/270Kg):

1	<p>SCOPE OF WORK: The scope of the work covers fabrication and supply PSC Poles of 10 meter long and 270Kgs. working (transverse) load in accordance with the technical terms and drawing of this specification. Alternate design / specifications shall not be considered which may be noted.</p>																									
2	<p>DIMENSIONS AND TOLERANCES:</p> <table border="1" style="width: 100%; border-collapse: collapse;"> <thead> <tr> <th style="text-align: center;">SR NO</th> <th style="text-align: center;">DESCRIPTION</th> <th style="text-align: center;">STANDARD IN MM</th> <th style="text-align: center;">MAXIMUM IN MM</th> <th style="text-align: center;">MINIMUM IN MM</th> </tr> </thead> <tbody> <tr> <td style="text-align: center;">1</td> <td>LENGTH</td> <td style="text-align: center;">10000</td> <td style="text-align: center;">10015</td> <td style="text-align: center;">9985</td> </tr> <tr> <td style="text-align: center;">2</td> <td>WIDTH - TOP - BOTTOM</td> <td style="text-align: center;">127.00 406.00</td> <td style="text-align: center;">132.00 411.00</td> <td style="text-align: center;">122.00 401.00</td> </tr> <tr> <td style="text-align: center;">3</td> <td>THICKNESS</td> <td style="text-align: center;">165.00</td> <td style="text-align: center;">168.00</td> <td style="text-align: center;">162.00</td> </tr> <tr> <td style="text-align: center;">4</td> <td>PLANTING DEPTH</td> <td style="text-align: center;">1675</td> <td style="text-align: center;">-</td> <td style="text-align: center;">-</td> </tr> </tbody> </table> <p>NOTE: All dimensions are in mm.</p>	SR NO	DESCRIPTION	STANDARD IN MM	MAXIMUM IN MM	MINIMUM IN MM	1	LENGTH	10000	10015	9985	2	WIDTH - TOP - BOTTOM	127.00 406.00	132.00 411.00	122.00 401.00	3	THICKNESS	165.00	168.00	162.00	4	PLANTING DEPTH	1675	-	-
SR NO	DESCRIPTION	STANDARD IN MM	MAXIMUM IN MM	MINIMUM IN MM																						
1	LENGTH	10000	10015	9985																						
2	WIDTH - TOP - BOTTOM	127.00 406.00	132.00 411.00	122.00 401.00																						
3	THICKNESS	165.00	168.00	162.00																						
4	PLANTING DEPTH	1675	-	-																						
3	<p>WORKMANSHIP: The contractor will be responsible for the general soundness as well as good finish of each pole. The workmanship should be of high degree and poles having flaws and defects will be rejected.</p>																									
4	<p>STANDARDS: The poles shall comply with the relevant provisions made in the following Indian standard specifications with latest amendment. i) IS: 1678/1998: Specification for Prestressed concrete poles for overhead Power traction and telecommunication lines ii) IS: 2905/1989: Method of test for concrete poles for Overhead Power and Telecommunication lines. iii) IS:1343 & IS:456: Code of practice for Prestressed and plain/reinforced Concrete</p>																									
5	<p>MATERIALS: The materials shall conform to this specification and be in accordance with the guaranteed particulars given. The quality of materials to be used for manufacturing of PSC poles shall be as under. [A] CEMENT: The Ordinary Portland Cement used in manufacture of prestressed concrete poles shall be relevant to IS: 8112/1989 of 43-Grade / 53-Grade to get 28 days strength of 450 Kg/ cm². [B] STEEL: The M.S. Bars of 6mm dia. and 4mm H.T. Steel wire used in manufacture of Prestressed concrete poles shall be conforming to IS: 2062/1989 and 6003/1983 of latest amendment thereof respectively. [C] AGGREGATE: Aggregate used for the manufacturing of Prestressed concrete poles shall conform to IS: 383-1963. Aggregate shall consist of naturally occurring</p>																									

Additional Technical Specification for TENDER NOTICE No:- UGVCL/PROJECT/RDSS/ARVALLI/096

Signature of Tenderer
Place:

Company's Round Seal
Signature of Tenderer

Page 130 of 176
Date:

TENDER NOTICE No:- UGVCL/PROJECT/RDSS/ARVALLI/096

	<p>crushed black metal. They shall be hard, strong, dense, durable, clear and free from veins and adherent coating, and free from injurious amount of disintegrated pieces, alkali, vegetable material, and other detrious substances. As far as possible flaky and allocated pieces should be avoided. It should not contain organic or other admixture that may cause corrosion of the reinforcement or impair the strength or durability of the concrete.</p> <p>The coarse aggregate shall consist of trap (preferably black) metal and in no case exceed 20 mm size. The fine aggregate shall be sharp, free from impurities and required fineness modules as specified. The sand shall be washed before use by installing a sand washing machine in the factory and the same shall not contain silt and detrious materials. The grading of fine aggregate shall be in accordance with IS: 2386 - 1963 with latest amendment.</p> <p>[D]WATER: Water to be used for process of manufacturing PSC poles like concrete mix and curing should be free from chlorides, other salts and organic materials and it should be got tested in Govt. Laboratory at test once in a year by the party. Potable water is preferable.</p>
5	<p>STORAGE OF MATERIALS</p> <p>The cement shall be stored at the work side in such a manner as to prevent deterioration due to moisture or intrusion of foreign matter.</p> <p>Steel reinforcement shall ordinary be staggered in such a way so as to avoid distortion and to prevent deterioration and corrosion, it is good practice to coat reinforcement with cement wash before stacking to prevent scale and rust.</p> <p>The aggregates shall be stored in such a way as to prevent mixing of foreign materials. The heaps of fine and coarse aggregates shall be kept separately. When different sizes of fine or coarse aggregate are procured separately, they shall be stored in separate stockpiles, to prevent the material at the edges of the piles from getting intermixed.</p> <p>Any material, which has deteriorated or has been damaged or is otherwise considered defective, shall not be used for the concrete.</p>
6	<p>TESTING OF MATERIALS:</p> <p>The Supplier shall arrange for the necessary testing of the material like Metal, Sand, Water etc. and see that the materials to be used in the manufacturing confirm to relevant IS.</p>
7	<p>METHOD OF MANUFACTURING OF PSC POLES:</p> <p>The Prestressed concrete poles are generally manufactured by long line multiple bed method for mass production.</p> <p>(A) BED AND MOULD:</p> <p>The length and number of rows of concrete casting bed shall be according to the production capacity of pole factory. Preferably one pole bed separately should be provided to minimise wastage of H.T.Steel wire.</p> <p>The Prestressed poles are to be cast in a steel mould having accurately machined bottom bed and side faces. The steel mould should be strong enough to resist distortion. The bed should be absolutely horizontally levelled and free from any undulation. The mould should be capable of being opened in such a way that edges of the poles are not damaged.</p> <p>At both the ends of row of concrete casting bed, the anchor blocks are provided for fixing and stretching of H.T.Steel Wire.</p>

TENDER NOTICE No:- UGVCL/PROJECT/RDSS/ARVALLI/096

(B) STIRRUPS:

The stirrups shall be prepared as per the design / drawing of the UGVCL from 4 MM dia H.T. Steel or 6MM dia. M.S. Bars. The stirrups shall be placed in position as per approved drawing. Stirrups shall have standard lap lengths and be welded to ensure maintaining proper shape and position. .

(C) PREPARATION OF REINFORCEMENT:

All the reinforcement and window boxes shall be accurately placed and maintained in position during the fabrication. As per the Design / Drawing all the stirrups made out of M.S.Bars, H.T.Steel wire shall be placed in respective position of the mould and thereafter continuous H.T.Steel wires are arranged through holes and plates of the mould. The welded joints in H.T. Steel wire will not be permitted. The H.T.Steel wires are stretched up to the required tension 10% of UTS as specified in relevant I.S. code with the help of Jacks and anchor blocks. All the wires shall be accurately stretched with uniform prestressing in each wire. Each wire shall be anchored positively during the casting. The tension applied shall be checked with the help of suitable Gauge/Meter.

(D) CONCRETE MIX:

The concrete mix to be used for manufacturing of PSC Poles shall be prepared by weight batching only in such a manner and proportion so as to achieve the compressive strength of the concrete mix as per IS: 456 and none of the test specimen shall have strength less than 225 and 450 KG/CM² after 3 and 28 days respectively. The cement concrete shall be mixed only in electrically / mechanically operated concrete mixer machine. Gradation of the aggregate used in concrete mix shall adhere to the appropriate Mix Design and proportions be checked in regular interval. Water in concrete shall be added with proper measurement to maintain required water cement ratio. The hand broken metal shall not be permitted.

(E) PLACING OF CONCRETE MIX:

The mould should be free from Dust, Dirt and other organic materials and oil is to be applied before placing the concrete mix. The machine mixed concrete is, thereafter poured in the mould and shall be compacted by spinning, vibrating, shocking or other suitable mechanical means. Over-vibration or under-vibration or vibration of very wet mix is harmful and should be avoided. The Hand compaction shall not be permitted.

On application of vibrator the concrete Mix will compact & get to 2 to 3 mm below form/mould level. This gap shall also be filled up with prepared concrete Mix only & re vibrated. The mixture of cement & sand for filling up the gap as well as finishing work will not be permitted. Finishing work shall be done only with cement slurry.

Care should be taken to see that anchorages do not yield before concrete attains necessary strength. Proper cover for concrete should be maintained throughout process of pouring, compacting etc. of concrete mix.

On achieving setting time, the side faces of the mould shall be removed from the bed and watered at intervals to prevent the surface cracking of the pole. The concrete shall be covered with a layer of sacking, canvas, Hessian or similar absorbent materials and kept constantly wet up to the time when the strength of the concrete reaches to the minimum strength of the concrete at transfer of prestress i.e. for about 72 hours.

The Steam curing may be permitted in exigency or emergency cases with the approval of the competent authority only.



Uttar Gujarat Vij Company Limited

CIN - U40102GJ2003SGC042906
(A subsidiary of Gujarat Urja Vikas Nigam Limited)

TENDER NOTICE No:- UGVCL/PROJECT/RDSS/ARVALLI/096

	<p>(F) DETENSIONING, CUTTING OF WIRE AND REMOVING OF POLES FROM THE BED: After ascertaining that concrete has attained required strength of min. 225 KG/CM2 by checking the cube strength stretched wires are released from the anchor blocks and cut with the help of welding machine. The cutting shall be started only from the centre of the bed length. The pole is then removed from the bed by lifting at 2 points using gantry and moved to the Curing Pond.</p> <p>(G) CURING: The curing of the pole shall commence after setting of the concrete. Continuous curing on bed should be done till it is shifted to curing pond, The curing pond shall be full of water and each pole must be immersed in the water for a period of at least 28 days. If required, water sprinkling shall be done at intervals to keep the poles constantly wet as per I.S.No.1678-1998.</p> <p>(H) STORING OF POLES READY FOR INSPECTION: The poles prepared vide method stated above shall be stacked in chronological method and indication of the date of manufacturing and number of poles be put before with particular lot so as to identify the lot by inspecting officer.</p>
8	<p>MARKING: The poles shall be clearly and indelibly marked with the following particulars during manufacture, at a position between 5th (W5) and 6th (W6) window indicated in the drawing so as to easily read after erection in position. The mark shall be done by pressing embossed figures / letters of 50 mm height and 20 mm width with gap of 5 mm between two figures. The sample drawing No. - C 583 - A is attached with the tender.</p> <p>(a) Date, month & year of manufacture, (On front face) (b) Serial number of pole, and (On front face) (c) Maker's serial number or mark (On front faces) Maker's serial number or mark on both sides of faces in oil painting to be marked before placing in curing pond. (d) UGVCL (in words) (above planting depth)</p> <p>The pole shall also be suitably marked for the planting depth i.e. 1675 mm from bottom. On both the end of pole the anti-corrosive paint i.e. epoxy based bituminous paints two coats are to be applied. One before putting in curing pond and second after removing from the pond.</p>
9	<p>CUBE TESTING: Total 6 Nos. Concrete Cubes of 100mm X 100mm X 100mm size shall be cast daily and tested at release, i.e. after approx. 72 Hours of cast as well as after 28 days, in accordance with Indian Standard specification at Supplier's own expense. The mix for concrete adopted shall be such as to give cube strength not less than 225Kg/cm2 at release (after 3 days) and 450 Kg/cm2 after 28 days. Cube testing machine shall always be kept in the working condition and regular cube tests shall be taken and results be recorded in the registers duly signed by engineer-in -charge and representative of the Supplier.</p>
10	<p>SAMPLING AND CONFORMITY 1] LOT: A. In any batch, all poles of the same class and same dimensions shall be grouped together to constitute a LOT.</p>

Additional Technical Specification for TENDER NOTICE No:- UGVCL/PROJECT/RDSS/ARVALLI/096

Signature of Tenderer
Place:

Company's Round Seal
Signature of Tenderer

Page 133 of 176
Date:



Uttar Gujarat Vij Company Limited

CIN - U40102GJ2003SGC042906
(A subsidiary of Gujarat Urja Vikas Nigam Limited)

TENDER NOTICE No:- UGVCL/PROJECT/RDSS/ARVALLI/096

	<p>B. If the number of poles in a lot exceeds 200 then the lot shall be divided into suitable number of SUB-LOTS such that the number of poles i.e. any sub-lot shall not exceed 200. The acceptance or otherwise of a sub lot shall be determined on the basis of the performance of sample selected from it.</p> <p>2] Scale of Sampling: The number of poles to be selected from a lot or a sub-lot shall depend upon its size and shall be in accordance with col.1&2 of the table given below.</p>																								
	<p>SAMPLE SIZE AND CRITERIA FOR CONFORMITY</p>																								
	<p>DIMENSIONAL REQUIREMENTS.</p>																								
	<table border="1" style="width: 100%; border-collapse: collapse;"> <thead> <tr> <th style="text-align: center;">Size of lot Or Sub-Lot</th> <th style="text-align: center;">Sample</th> <th style="text-align: center;">Permissible size No. of Defective samples.</th> <th style="text-align: center;">NO. Of sample Poles (Out of Col.2) for Transverse Strength test</th> </tr> <tr> <th style="text-align: center;">(1)</th> <th style="text-align: center;">(2)</th> <th style="text-align: center;">(3)</th> <th style="text-align: center;">(4)</th> </tr> </thead> <tbody> <tr> <td style="text-align: center;">Up to 100</td> <td style="text-align: center;">10</td> <td style="text-align: center;">1</td> <td style="text-align: center;">2</td> </tr> <tr> <td style="text-align: center;">101 to 200</td> <td style="text-align: center;">15</td> <td style="text-align: center;">1</td> <td style="text-align: center;">3</td> </tr> <tr> <td style="text-align: center;">201 to 300</td> <td style="text-align: center;">20</td> <td style="text-align: center;">2</td> <td style="text-align: center;">4</td> </tr> <tr> <td style="text-align: center;">301 to 500</td> <td style="text-align: center;">30</td> <td style="text-align: center;">3</td> <td style="text-align: center;">5</td> </tr> </tbody> </table>	Size of lot Or Sub-Lot	Sample	Permissible size No. of Defective samples.	NO. Of sample Poles (Out of Col.2) for Transverse Strength test	(1)	(2)	(3)	(4)	Up to 100	10	1	2	101 to 200	15	1	3	201 to 300	20	2	4	301 to 500	30	3	5
Size of lot Or Sub-Lot	Sample	Permissible size No. of Defective samples.	NO. Of sample Poles (Out of Col.2) for Transverse Strength test																						
(1)	(2)	(3)	(4)																						
Up to 100	10	1	2																						
101 to 200	15	1	3																						
201 to 300	20	2	4																						
301 to 500	30	3	5																						
	<p>Number of Tests: All the poles as selected as above shall be tested for overall length, cross-section and uprightness. The number of poles to be tested for transverse strength test shall be in accordance with col 4 of table. These poles may be selected from those already tested.</p> <p>4] Criteria of conformity: A lot or sub-lot shall be considered as conforming to the specification if the conditions under are satisfied.</p> <p>The numbers of poles which does not satisfy the requirements of overall length; cross-section and uprightness shall not exceed the corresponding number given in col.3 of Table. If the number of such poles exceeds the corresponding number, all poles in the lot or sub-lot shall be tested for these requirements, and those not satisfying the requirements shall be rejected.</p> <p>2] All the poles tested for transverse strength test shall satisfy the requirements of the test. If one or more poles fail, twice the number of poles originally tested shall be selected from those already selected, and subjected to the test. If there is no failure among these poles, the lot or the sub-lot shall be considered to have satisfied the requirements of this test. If one or more poles of the second samples fail, the lot or the sub-lot represented by the corresponding samples shall be considered not to have passed the test.</p>																								
<p>11</p>	<p>METHOD OF INSPECTION AND TESTING GENERAL:</p> <p>The tests on poles shall not be carried out earlier than 28 days from date of manufactured for poles manufactured from ordinary Portland cement or blast furnace slag cement. If a chloride free ad mixture is used or rapid hardening Cement of Grade 43 / 53 is used than pole can be tested at 14 days of age. The specimens shall be inspected and any specimen with visible flaws shall be discarded. If any test specimen fails because of mechanical reasons, such as failure of testing equipment of improper specimen preparation, it shall be discarded and another specimen shall be taken.</p> <p>INSPECTION:</p> <p>The Tenderer shall offer Ready Made PSC Poles lot for inspection and relevant tests.</p> <p>(01) DIMENSIONS:</p> <p>All the Poles shall be manufactured in accordance with the detailed dimensional</p>																								

Additional Technical Specification for TENDER NOTICE No:- UGVCL/PROJECT/RDSS/ARVALLI/096

Signature of Tenderer
Place:

Company's Round Seal
Signature of Tenderer

Page 134 of 176
Date:

TENDER NOTICE No:- UGVCL/PROJECT/RDSS/ARVALLI/096

drawing.

The tolerance on dimension shall be limited to...

- (i) For length - □ 15 mm.
- (ii) For Web thickness - □ 5 mm.
- (iii) Upright ness - 0.5 % (i.e. 72 to 1.005 / 0.995)

(02)METHOD OF TESTING:

The pole shall be tested only in the horizontal position or as specified in I.S. 1678 / latest amendment & I.S. 2905 /1989 latest amendment .While testing in the horizontal position, provision shall be made by suitable supports to compensate for the overhanging weight of the pole; for this purpose the overhanging portion of the pole may be supported on a movable trolley or similar device. The frictional resistance of the supporting devices should be separately determined and deducted from the total final load applied on the pole.

Theoretically the permanent deflection should be as per IS 2905 / 1966 and latest amendment thereof. The recovery of deformations should not be less than 90%.

A] Testing Arrangement -

The pole shall be fixed in the crib longitudinally from butt to its ground line and then it shall be secured firmly in place. Wooden saddles with concave surfaces and other packing shall be placed around the pole to prevent injury to the butt section as specified in IS: 2905/1966 - latest amendment.

To minimize vertical movement at the point of load application and to reduce the stresses due to dead weight of the pole, a rail support shall be provided near the point of load application, or alternately a number of friction less supports in the form of trolleys may be provided near the end or throughout the length of the pole.

The rail support or other forms of support shall be such that any friction associated with the deflection of the pole under load shall not be a significant portion of the measured load on the pole.

B] Loading - The load shall be applied at a point 600 mm from the top of the pole by means of a suitable device, such as a wire rope and winch placed in a direction normal to the direction of the length of the pole, so that the minimum length of the straight rope under pull (excluding the curved portion near the transmitting devices) is not less than two times the length of the pole. If the loading device is set sufficiently far away from the pole to make the angle between the initial and final positions of pulling line small, the error in assuming that the pull is always perpendicular to the original direction of the pole axis will be negligible. The pulling line shall be kept level between the winch position and the point where load is applied to the pole. The load shall be applied at a constant rate of 4 percent of the specified test load per minute and in accordance with procedure.

C] Pulling Line: The pulling line shall be secured around the pole at the load point. Load measuring device shall be placed in a way so as to accurately measure in the tension in the pulling line. The other end of which is attached to the loading equipment (winch).

D] Load Measurement: Load Cell with accuracy of 5 Kg. for measurement may be adopted. Load cell shall be calibrated before every test. The load measuring device shall be supported in such a way that the force required to pull it shall not add to the measured load on the pole and that no damage is cause to the instrument if the pole suddenly breaks under test. No pullies or any other device in between load application point and load cell will be allowed.

E] Deflections - The deflection of the pole and the load applied shall be

TENDER NOTICE No:- UGVCL/PROJECT/RDSS/ARVALLI/096

<p>measured simultaneously at different stages of loading to provide at least five sets of readings or as specified in I.S.2905 & latest amendment thereof. The measurement of the deflection of the load point shall be made in a direction perpendicular to the unloaded position of the pole axis. The measurement shall be made correct to the nearest 1 mm by use of datum board. A second datum line shall also be established from which the movement of the ground line if any, shall be measured.</p> <p>F] PROCEDURE: Load shall be applied at a point 600 mm from the top of the pole and shall be steadily and gradually increased in increments of 67.5Kg. till formation of 1st crack recording deflection at each increment.</p> <p>The load shall be then reduced to zero and then increased gradually in 67.5 Kg. increments to 540Kg load. Each load increment be successively increased by 33.75Kg. Up to design ultimate transverse load (i.e. 675 Kgs.). The load shall be increased in steps of 33.75 Kgs. to measure ultimate transverse load, until failure occurs. Each time the load is applied same shall be held for 2 minutes. The load applied to Prestressed concrete poles at the point of failure shall be measured to the nearest five kilograms.</p> <p>G] RECORDING OF DATA AND MEASUREMENTS :(i) Any hair cracks appearing at a stage prior to the application of the design transverse load at first crack shall be measured using feeler gauges & shall be recorded. It should also be recorded, whether the hair cracks, if any, produced on application of the 60 percent of the minimum ultimate transverse load close up on the removal or reduction of the test load.</p> <p>(ii) The load applied to the pole at the time of failure shall be measured to the nearest 5Kg.</p> <p>iii) A Prestressed concrete pole shall be deemed not to have passed the test if crack wider than 0.1mm appears at a stage prior to the application of the design transverse load at first crack (270 Kgs.)</p> <p>(iv) The definition of failure of PSC Pole in test will be (i) permanent set more than 3.5 Cm. at load of 675 Kgs. Or (ii) Deflection of more than 35 Cms at load of 675 Kgs.</p> <p>H] ULTIMATE FAILURE:</p> <p>The conditions existing when the pole ceases to sustain a load increment owing to either crushing of concrete or snapping of the Prestressing tension or permanent stretching of the steel in any part of the pole.</p> <p>At least one pole shall be subjected to destruction test in the contract in presence of representative from UGVCL, Mehsana.</p>
--

TECHNICAL DATA OF PSC POLES	
The Guaranteed Particulars of PSC Poles 10 Mtr. 270 Kg.	
01.	Working load : 270 Kg.
02.	Factor of safety : 2.5
03.	Ultimate Load : 675 Kgs.
04.	Dimensions :
(a)	Bottom Cross-Section : 406 x 165 mm.
(b)	Top Cross-Section : 127 x 165 mm.
(c)	Total height : 10,050 mm.
(d)	Web thickness. : 63 mm
(e)	Planting Depth : 1675 mm.
05.	No. of Windows : 09 nos.
06.	No. of 20mm dia. holes. On Front face : 06 nos. (100 mm apart).
07.	Minimum requirement:
(a)	Cube Test (Each Specimen) : 450 Kg/Cm ² (28 days). : 225Kg/Cm ² (3 days)- at release of Prestress.
(b)	Initial tension in HT Steel Wire/Pole. : 70% of 175.00 Kg/mm ² as specified in related I.S.Code

Save Energy for Benefit of Self and Nation



Uttar Gujarat Vij Company Limited

CIN - U40102GJ2003SGC042906
(A subsidiary of Gujarat Urja Vikas Nigam Limited)

TENDER NOTICE No:- UGVCL/PROJECT/RDSS/ARVALLI/096

**TECHNICAL SPECIFICATIONS
FOR
MAINTENANCE FREE, ECO-FRIENDLY, READY CAPSULE, PIPE-in-CAGE (PiC)
TYPE EARTHING SYSTEM**

Sr. No	Technical Specification No./Revision	Date of revision
1.	GUVNL/GPRD/TS/PiC Earthing/RP-041/R0	14/06/2018
2.	GUVNL/GPRD/TS/PiC Earthing/RP-041/R1	09/03/2021
3.	GUVNL/GPRD/TS/PiC Earthing/RP-041/R2	12/08/2021

Additional Technical Specification for TENDER NOTICE No:- UGVCL/PROJECT/RDSS/ARVALLI/096

Signature of Tenderer
Place:

Company's Round Seal
Signature of Tenderer

Page 138 of 176
Date:

TENDER NOTICE No:- UGVCL/PROJECT/RDSS/ARVALLI/096

*This specification is divided in two parts. The first part **(Part-A)** covers the scope of supply of maintenance-free, Ready Capsule, Pipe-in-cage, special type earthing system to be provided for the distribution network. The other part **(Part-B)** covers the scope of installation, testing, and commissioning of maintenance-free, Ready Capsule, Pipe-in-cage, special type earthing system in the distribution network.*

*The part-C is for the turnkey based tender **(Part-C)** i.e. scope covering Supply, carting of PiC capsules, GI Strip, etc. from RSO/division/subdivision store to the destination, installation, testing, and commissioning of maintenance-free, Ready Capsule, Pipe-in-cage, special type earthing system and other relevant accessories (Like GI Strip, PVC Pipe, Nut-Bolts, Name plate, etc.), both Part-A and Part- B shall be considered.*

(PART-A)

TECHNICAL SPECIFICATIONS FOR SUPPLY OF MAINTENANCE FREE, ECO-FRIENDLY, READY CAPSULE, PIPE-in-CAGE (PiC) TYPE EARTHING

1.0 SCOPE:

This specification covers supply of maintenance-free, Ready Capsule, Pipe-in-cage, special type earthing system and other relevant accessories (Like GI Strip, PVC Pipe, Nut-Bolts, Name plate, etc.) to be supplied at the designated locations provided **by the DISCOMs** The technical specification is designed keeping in view the following advantages,

- In this type of Earthing Electrode, the electrode, the surrounding enhancing material bonding with the electrode, and the cage are in pre-fabricated, ready-to-use form so that on-field mal-practice in form of less digging of earth pit, less Earth enhancement filling, improper watering at the site, can be overcome. This makes the quality check very convenient.
- Due to pre-fabricated, ready-to-use methodology, no on-field wastage of Earth enhancement material is done.
- Installation procedure is effective, convenient, less time-consuming, and cheaper.
 - Transportation and storing of material, compared to separate components (i.e. electrode, Earth Enhancement compound, etc.) on the field is convenient, cheaper, and too easy to do.
- Quality assurance of this type of earthing can be carried out very effectively with minimum effort.

2.0 APPLICABLE STANDARDS:

This earthing system shall be conformed to the relevant standard specification unless otherwise specified, in line with the requirement of any of the latest applicable standards. The applicable amendments as and when imposed shall be applicable.

1.	IS: 3043/1987	Code of practice for Earthing
-----------	---------------	-------------------------------

TENDER NOTICE No:- UGVCL/PROJECT/RDSS/ARVALLI/096

2.	IEC 62561-7	The requirement of Earthing Enhancement Compound
3.	IEEE-80- 2000	IEEE Guide for Safety in AC Sub Station Grounding
4.	ASTM G57-06	Test Method for Field Measurement of Soil Resistivity, Using the Wenner, Four-Electrode Method
5.	IS: 2629 & IS: 4736	For hot-dip galvanizing for Iron and Steel
6.	IS:1161 Or IS: 1239 (Part-1 & Part-2)	Steel Tubes for Structural Purposes: Specification Or Steel Tubes, Tubulars, And Other Wrought Steel Fittings — Specification
7.	IS:13229-1991	Zinc for Galvanizing
8.	IS:9537:1983	Conduits for electrical installations
9.	IS:13592:1992	UPVC pipes for soil and waste discharge systems
10.	IEEE Std. 142- 2007	IEEE Recommended Practice for Grounding of Industrial and Commercial Power Systems
11.	IS:5216-1982	Recommendations on Safety Procedures and Practices in Electrical Work
12.	CEA	Measures relating to Safety and Electric Supply) Regulations, 2010
13.	EN-12547-2	Characterization of Waste – Leaching – Compliance Test for Leaching of Granular Waste Materials and Sludges – Part 2
14.	EN 12506	Characterization of Waste – Analysis of Eluates – Determination of pH, As, Ba, Cd, Cl-, Co, Cr, Cr VI, Cu, Mo, Ni, NO2-, Pb, total S, SO42-, V and Zn.

3.0 GENERAL REQUIREMENTS:

- a) This maintenance-free earthing system shall be based on ready capsule type, Pipe-in-Cage technology concept in which, One Galvanized hollow pipe (Electrode) is kept inside the Galvanized Perforated cage as per drawing. The space between the electrode and cage shall be filled with a specially developed earth enhancement material(EEM) made up of Conductive Cement, Graphite carbon powder, Sodium montmorillonite/ Sodium Bentonite Powder, Hydrous aluminum silicate, etc. to reduce earth resistivity.
- b) The system shall be almost maintenance-free and require no periodic or scheduled maintenance for an expected period of 15 years.
- c) There shall be no requirement to add any other chemical or water at any time

TENDER NOTICE No:- UGVCL/PROJECT/RDSS/ARVALLI/096

after initial installation because of the hygroscopic characteristic of Earth Enhancement Material (EEM).

- d) The material offered shall conform to relevant standards with high quality and good workmanship capable to perform continuous and satisfactory operations in the actual service conditions at the site.

4.0 EARTH ELECTRODE:

THE EARTH ELECTRODE IS THE MAIN COMPONENT OF THE EARTHING SYSTEM WHICH IS MEANT FOR COLLECTING, RELEASING, AND DISCHARGING EARTH LEAKAGE AND FAULT CURRENTS. THE EARTH ELECTRODE SHOULD BE READY CAPSULE TYPE MADE WITH PIPE-IN-CAGE (PIC) TECHNOLOGY CONCEPT. IT INCLUDES THE HOLLOW MS PIPE, AS A PRIMARY ELECTRODE WHICH SHOULD HAVE IS MARKING AS PER IS: 1161 OR IS: 1239. FOR THE EFFECTIVE LIFE OF THE EARTHING SYSTEM, THE WHOLE UNIT SHALL BE PROVIDED A ZINC COATING NOT LESS THAN 80 MICRONS THROUGH A HOT-DIP PROCESS. THE ZINC USED FOR GALVANIZING SHOULD FOLLOW ZN 98.0 GRADE AS PER IS: 13229-1991 AND THE PROCESS AND MEASUREMENT OF HOT-DIP GALVANIZING SHOULD BE AS PER IS: 2629.

The outer cage of the GI pipe shall be provided with a **3.5 mm dia. ($\pm 10\%$ Tolerance) holes** and shall be hot-dip galvanized with a minimum of 80 microns.

- a) **Dimensions:** Here, two different size electrodes are proposed, i.e. 2000 mm and 3000 mm length electrodes. Generally, an electrode having a 3000 mm length is preferable, but where digging of 3000mm pit is not possible, two parallel earthing of electrodes having a 2000 mm length are to be used. **Primary Electrode:** Dimensions of the electrode are as under, however, detailed dimensions are shown in the attached drawing No. GPRD-16 (Rev.2) & GPRD-17 (Rev.2). All the tolerances and other specifications to the same should be as per IS: 1161 or IS:1239.

Length (L):

- a) 1900 mm (pipe) +100mm (terminal) =2000 mm
b) 2900 mm (pipe) +100mm (terminal) =3000 mm

The whole primary electrode should be made from a single piece i.e. without any joint or welding

- I. Nominal Bore Diameter : 40 mm (Medium duty)
II. **Outer Diameter (ϕ):** 48.3 mm (hollow) (With tolerance : 47.9 mm – 48.8 mm)
III. **Thickness (t):** 3.2 mm (tolerance : -10%, + not limited) with hot-dip galvanized of minimum 80microns

TENDER NOTICE No:- UGVCL/PROJECT/RDSS/ARVALLI/096

- IV. **Weight of electrode:** To be followed according to limit specified in IS (3.56 Kg/meter, Tolerance : ± 10%)

Perforated Cage: The perforated cage is to be prepared from a minimum 150 mm outer dia. MS pipe having a minimum thickness of 1.5 mm and 80 microns Galvanized coating with a welded GI plate on the top and bottom portion of the cage such that earth enhancement material can be accommodated in between the primary electrode and perforated cage. The welded portion shall be applied with a zinc spray to maintain the uniform galvanizing across the whole design.

I. Dimensions:-

- a) 1880 mm (L) X 150 mm (Ø) for 2000 mm Electrode
b) 2880 mm (L) X 150 mm (Ø) for 3000 mm Electrode
Tolerances in length: (-1%, + not limited)

II. Circular Hole for Cage: 3.50 mm Dia. (Tolerance: ±10%)

Center to center distance between two consecutive holes in any direction shall be in the range of 45 mm to 70 mm.

- III. Thickness of Perforated Cage:** 1.5 mm (min.) with minimum hot-dip galvanized of 80 microns

b) Terminal: Primary electrode must be provided with a connection terminal facility as shown in the drawing by pressing 100 mm at the top side of the pipe to form a strip having dimensions as mentioned in the drawing **without joint or welding. The pipe shall be pressed by hydraulic press only. No hammered pressed/ welding shall be acceptable.** Two numbers of holes of diameter as mentioned in the drawing shall be provided in the pressed portion of the top side of the pipe for connecting the strip with the earth electrode.

c) Electrically Insulated Enameled Paint Coating or PVC Cap or Heat shrinkable insulated Sleeve:

As shown in drawing No. GPRD- 16(Rev. 2) & GPRD-17(Rev. 2) following insulation needs to be provided on top 250 mm length of PiC Electrode (150 mm Cage + 100 mm terminal) to prevent the flow of current in the top portion

1. The electrically insulated enameled/bituminous paint coating of 40 micron thickness and of 20 Kv/mm dielectric strength should be provided. **OR**
2. Insulated PVC cap of appropriate die-electric strength with a minimum thickness of 2 mm can be provided **OR**
3. The heat shrinkable insulated sleeves of appropriate die-electric strength has to be applied

This is done to prevent the danger to the living being from Step potential.

d) Zinc coating: The earth electrode consists of one mild steel pipe with the provision of connections at the top end as shown in the attached drawings No. **GPRD- 16(Rev.2) & GPRD-17(Rev.2).** The entire electrode shall be hot-dip galvanized **with at least 80 microns** over all the surfaces **without leaving any point of the electrode un-galvanized and the cage shall be hot-dip galvanized**

TENDER NOTICE No:- UGVCL/PROJECT/RDSS/ARVALLI/096

with at least 80 microns in accordance with IS 4736: 1986. The process of hot-dip galvanizing shall be followed as per IS 2629. For uniform distribution of fault currents, an earth electrode must be cylindrical in shape.

e) **Short Time Current Rating:** The earth electrode shall be capable to withstand a minimum of 20 KA (rms) short time current for 1 sec.

f) **Embossing/punching of Unique Serial No. and manufacturing details:-**

Following things are to be permanently embossed/punched with the clearly visible stamping on the connecting terminal and/or top flat plate of Cage for each PiC Earthing capsule which should be non- removable.

1. Small Logo/Name of manufacturers of PiC earthing capsule
2. DISCOM wise unique serial no. (for eg. PG0000001) in coordination with the concerned tenderpublishing authority such that DISCOMs can maintain and track the inventory of the same
3. The manufacturing month and year.

g) **Tender sample submission :-**

The bidder has to submit 2 No.s of samples along with bid at concern store/designated location of DISCOMs. The DISCOM will carry out destructive test on one of the sample provided and the other sample will be preserved as a sample. The following tests will be carried out on the sample failing to which the technical acceptance of the bid will not be considered.

1. Verification of dimensions
2. Verification of resistivity of EEM (During destructive testing, the DISCOM will carry out the test when the EEM is in dry condition)
3. Coating thickness test of Galvanizing

h) **Packaging And Material Handling :-**

The cage should be designed with high durability such that in worst transport condition also, the particles of Earth Enhancement Material should not leach out. The packing of the Earth capsule should be done in such a manner that no material leakages should happen even in the worst transportation & handling condition For the same the PiC should be wrapped with PVC packing tap.

5.0 EARTH CONDUCTIVITY ENHANCEMENT MATERIAL:

a) **Placement of Earth Enhancement Material:-**

It shall be placed between the primary earth electrode and perforated cage to improve the conductivity of the earth electrode & ground contact area. Earth enhancement material (Backfill compound) shall be according to **IEC 62561-7**, and superior conductive material that improves earthing effectiveness especially in areas of poor conductivity such as rocky ground, sandy soil & areas of moisture variation with different soil strata.

b) **Material composition:-**

TENDER NOTICE No:- UGVCL/PROJECT/RDSS/ARVALLI/096

The suggested composition of the compound is as under.

Earth enhancement Back Filling Compound Composition with maximum permissible tolerance of $\pm 10\%$ in each content.	Conductive Cement	15 %
	Graphite carbon powder	45%
	Sodium montmorillonite/ Sodium Bentonite Powder	30 %
	Hydrous aluminum silicate	10 %
<ul style="list-style-type: none"> • The maximum permissible limit of Salt content is below 2 % • The Sulphur content in the back-fill compound shall not be more than 2 % in any case. • All the components used in the mixture shall be having a mesh size of at least 150-200 mesh. • The verification of the quality of the earth enhancement compound shall be done by measuring the resistivity of the compound by performing a soil box test as mentioned in Cl. 5.0(J) • The graphite carbon powder should have a minimum 95% of carbon content. The usage of coal powder is restricted due to its high fly ash content which is resistive in nature. • The conductive cement should have bonding capability as well as high conductivity. The use of normal cement will increase the resistivity of the compound. Hence the usage of normal cement content is restricted. 		

c) Maintenance-Free:-

The Earth Enhancement Material/ Backfill compound shall be a Highly Conductive Compound and maintenance-free. The watering shall be required at the time of its installation only. No re- charging with water, salts, or any other chemical shall be required and it shall maintain almost constant earth resistance during its life cycle without manual watering. It must set firmly and should not dissolve or decompose or otherwise pollute the soil or the local water table.

d) Hygroscopic:-

It should have the capacity to retain more than 10% moisture at 105°C. It should have better hygroscopic properties to absorb moisture. It should absorb & release the moisture in the dry weather condition and help in maintaining the moisture around the earth electrode. It should expand & swell considerably & remove entrapped air to create a strong connection and bond between the earth electrode & soil. It should diffuse into the soil pores & create conductive roots enlarging the conductive zone of the earth pit.

e) Non-toxic:-

Material shall **be non-toxic, non-reactive, non-explosive & non-corrosive**. It shall not cause burns, irritation to the eye, skin, etc. It shall not pollute the soil or local water table & shall meet environmentally friendly requirements for landfills.

TENDER NOTICE No:- UGVCL/PROJECT/RDSS/ARVALLI/096

f) Leachability Test:-

The requirement for earthing enhancement materials is that they must be chemically and physically stable. Specifically, they must be chemically inert to the surrounding soil and must not decompose or leach over time. Resistance to leaching is a quality of proper EEM because leaching compromises the material's lifetime value. Regardless of the material used, EEM that is washed away cannot uphold the superior conductivity it was intended to provide. **The leach test shall be tested as per IEC 62561-7 Clause 5.2** at NABL accredited Government/ government-supported laboratory. Conformance is verified by testing in accordance with EN 12457-2 and EN 12506.

g) Sulphur Content:-

A significant amount of sulfur cannot exist in the EEM for the system to be effective. If an earthing enhancement material contains a significant amount of sulfur, it can corrode the ground rod electrode. Sulfur causes corrosion to zinc, copper, lead, and iron—all of which are commonly used metals in ground rods. Sulphur Determination test As per IEC 62561-7 clause 5.3. IEC 62561-7 requires that any earthing enhancement material should contain less than 2% sulfur. The test certificate complying with the above requirements should be submitted.

h) Corrosion Test:-

The significance of the test is that the earth enhancement materials have to be physically and chemically inert with the earth electrodes in order to avoid corrosion damage to the earthing electrode. This test is to be followed as per clause no. 5.5 of IEC 62561-7. The corrosion rate is determined by using potentiodynamic polarization resistance methods as outlined in ASTM G59-97 and ASTM G102-89.

i) Soil Box Test – EEM Conductivity test:-

The Earth enhancement material should diffuse. It should expand & swell considerably & remove entrapped air to create a strong connection and bond between earth electrode & soil into the soil pores & create conductive roots enlarging the conductive zone of the earth pit.

It is required that the resistivity of the Earth enhancement material shall not be higher than 0.20 Ω -m (i.e. 20 ohm-cm), when it is tested with 4 electrode method using a soil box having cross-section area of 4 cm x 3.2 cm=12.8 Cm² and keeping the electrodes at a distance of 12.8 Cm. in a soil box.

The soil boxes are designed such that the cross-sectional area of the soil (or liquid) sample (A), with the box filled level, divided by the separation between the pins (L) is equal to 1 cm.

TENDER NOTICE No:- UGVCL/PROJECT/RDSS/ARVALLI/096

For example

A = Cross-sectional area (Inner side conducting plate) = 4 cm x 3.2 cm = 12.8 cm²

L = Pin separation (P1-P2) = 12.8 cm

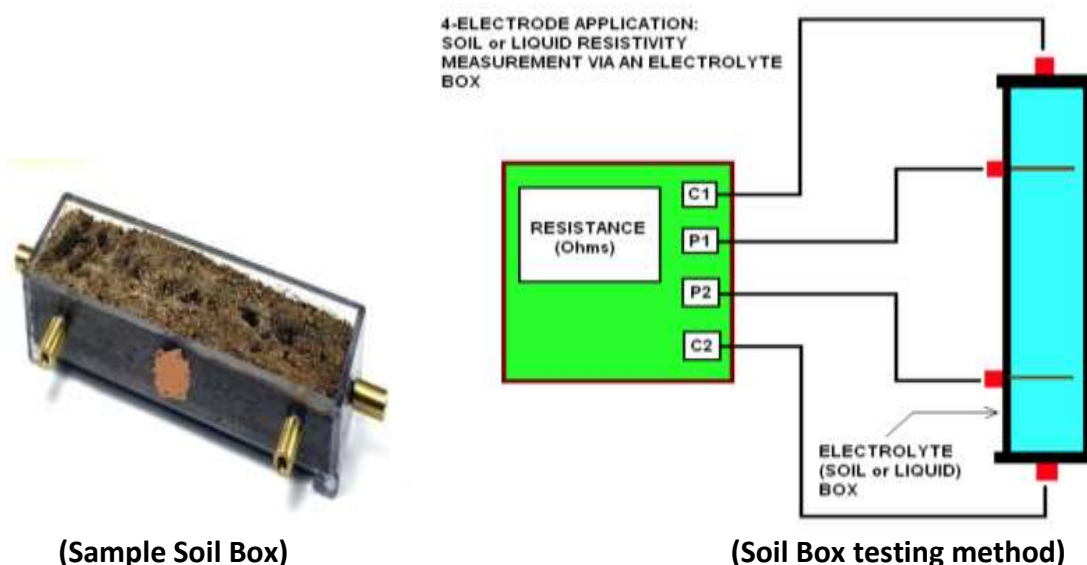
A / L = 1 cm

Soil Box Example:

Measured Resistance (4 Point method with Earth tester) = 19.7 Ω

Resistivity Value = 19.7 Ω x 1cm
= 19.70 Ω-cm
= 0.197 Ω-meter

The supplier shall produce the facility of the soil box for testing. One destructive sample should be randomly selected from the presented lot to test for the soil box test. It is required that the test instrument of standard make such as Megger, Chauvin Arnoux or Fluke should only be used for the testing of the soil box. Further, the meter should be able to measure the resistance with the 4 Pole method and should have a high accuracy of ± 2% or less with a professional testing kit.



j) PH Value test:-

It should be alkaline in nature with a pH value of > 7 & < 9. Test certificate from NABL approved Government/government-supported laboratory to be provided for the compound so designed.

TENDER NOTICE No:- UGVCL/PROJECT/RDSS/ARVALLI/096

k) Weight of EEM :-

The weight of EEM **should be measured while performing destructive testing**. The weighing scale having stated accuracy and valid calibration certificate as mentioned in Annexure-1 should only be used. The weight requirement of EEM per kg of Cage is as below

Weight of EEM Per meter of perforated Cage length: - 15 KG/meter (±5%)

- Weight of EEM in 2880 mm Perforated cage dimensions: - 43 Kg **(-5%, +not limited)**
- Weight of EEM in 1880 mm Perforated cage dimensions: - 28 Kg **(-5%, +not limited)**

It is mandatory that above measurement should be carried out while EEM is in dry condition.

6.0 QUALITY CHECK AND INSPECTION :-

The quality check of the sample is to be carried out as per following list.

A) TYPE TEST :-

The bidder is required to submit the type test certificates as listed below, along with the bid for successfully able to participate in the bid. All these test certificates shall be carried out at any NABL accredited Government/ Government supported laboratory. These tests should not be older than 5(five) years as on the scheduled date of opening of the Technical bid.

1. Toxic Content test on Conductive materials (RoHS Certification of non-hazardous material)
2. Leachability Test as per clause no. 5.2 of IEC 62561-7
3. Short Circuit Withstand Test on Earth electrodes (20 KA rms for 1 sec)
4. PH Value Test (pH value of > 7 & < 9)
5. Sulphur determination Test as per clause no. 5.3 of IEC 62561-7
6. Granular Size of Material (Mesh Size of material at least 150-200 mesh)
7. Corrosion Test (as per clause no. 5.5 of IEC 62561-7)
8. PVC Pipe tests for the effect of sunlight (Clause no. 8.5 of IS: 13592)

B) ROUTINE TEST :-

The supplier has to submit following routine test certificate. The routine test certificate is to be provided for each and every sample and is to be submitted at the time of lot inspection to the inspector of DISCOM.

1. Serial No. :
2. Dimensions and weight of the electrode (Length, OD, thickness, weight, coating thickness of galvanizing)
3. Dimensions and weight of the outer cage (Length, OD, thickness, weight, coating thickness of galvanizing,)
4. Resistivity and weight of EEM

TENDER NOTICE No:- UGVCL/PROJECT/RDSS/ARVALLI/096

5. GI Strip Dimensions and coating thickness of galvanizing
6. PVC Pipe dimensions

C) Acceptance Test :-

The user acceptance test shall be carried out by the representative DISCOM on following sampling basis. The test carried out will be the destructive test (**Destructive Testing definition:** Testing methods, the use of which destroy or impair the part or product insofar as its intended use is concerned, but which give proof or an indication of the strength or quality of similar or duplicate parts or products. Such tests involve the subjection of the test piece to various influences, of destructive magnitude, such as impact, stress, pressure, cyclic movement, etc.)

In the process of acceptance testing, after taking the reading of dimensions, the bottom plate is required to be cut through cutter, and then the whole main electrode is to be drawn out. The dimensions of the whole main electrode and its weight is to be verified according to following table. The Earth enhancement material is also to be drawn out for verification of resistivity test with soil box having dimensions as mentioned above. The other tests are to be carried out as per following table.

Proposed Sampling criteria for destructive sample testing of a lot :-

- | | |
|---|------------|
| 1. Quantity less than 50 | = 1 Sample |
| 2. Quantity ≥ 50 & < 500 | = 2 sample |
| 3. Quantity ≥ 500 & < 1000 | = 3 sample |
| 4. Quantity ≥ 1000 and < 2000 | = 4 sample |
| 5. Quantity > 2000 (To be decided by Competent authority) | |

Note:- The samples shall be selected randomly from the lot under testing

The purchaser or his authorized inspector shall have all rights for free access to the manufacturer's works. The manufacturer or his authorized representative shall remain present at all reasonable times and conduct all tests and measurements as per the technical specifications in presence of the purchaser representative shall give facilities to inspect the manufacturing process at any stage of manufacture. The purchaser shall have the right to reject the whole or part of any work or material that does not conform to the requirements of the specifications. All the reasonable/complete facilities considered necessary for the inspection by the inspector/s inspecting shall be provided by the manufacturer free of cost. The acceptance test on the materials of PiC will be performed as per detail mentioned in following tables.

A. ACCEPTANCE TEST FOR PiC EARTHING :-



Uttar Gujarat Vij Company Limited

CIN - U40102GJ2003SGC042906
(A subsidiary of Gujarat Urja Vikas Nigam Limited)

TENDER NOTICE No:- UGVCL/PROJECT/RDSS/ARVALLI/096

Sr. No.	Technical Particulars	Remarks	Confirm (Yes/No) or Measurement Reading			
			Samp.-1	Samp.-2	Samp.-3	Samp.-4
1	PiC Earthing Sample details (Permanently embossed/punched with the clearly visible stamping) :-					
	Small Logo/Name of manufacturers of PiC earthing	All things should be permanently embossed/punched with the clearly visible stamping on the connecting terminal and/or top flat plate of Cage for each sample				
	Unique serial no.					
	The manufacturing month and year					
2A	Electrode: (Confirming to IS: 1161 or IS: 1239) Nominal Bore : 40 mm (Medium duty)					
	For 3000 mm Electrode	The electrode should be ISI marked with the mini. Parameters of weight, thickness and dimensions				
	Length (L): 2900 mm (pipe) + 100 mm (terminal)=3000mm (Tolerance : -1%, + not limited)					
	Outer Diameter (Ø): 48.3 mm (hollow) (With tolerance : 47.9 mm – 48.8 mm)	as mentioned or better.				
	Thickness (t): 3.2 mm (tolerance : -10%, + not limited)					
	Weight of electrode : 10.6 (Kg.) (Tol : ± 10 %)					
(all tolerance will be applicable as per IS:1161 or IS : 1239)						
2B	For 2000 mm Electrode	The electrode should be ISI marked with the mini. Parameters of weight, thickness and dimensions as mentioned or better.				
	Length (L): 1900 mm (pipe) + 100 mm (terminal)=2000mm (Tolerance : -1%, + not limited)					
	Outer Diameter (Ø): 48.3 mm (hollow) (With tolerance : 47.9 mm – 48.8 mm)					
	Thickness (t): 3.2 mm (tolerance : -10%, + not limited)					
	Weight of electrode : 7.1 (Kg.) (Tol.: ± 10 %)					
	I. Galvanized Perforated cage for Earthing :-					
	a) 2880 mm (L) X 150 mm (Ø) (min.) for 3000 mm electrode <i>Tolerances in length: (-1%, + not limited)</i>					
	b) 1880 mm (L) X 150 mm (Ø) (min.) for 2000 mm electrode <i>Tolerances in length: (-1%, + not limited)</i>					

Additional Technical Specification for TENDER NOTICE No:- UGVCL/PROJECT/RDSS/ARVALLI/096

Signature of Tenderer
Place:

Company's Round Seal
Signature of Tenderer

Page 149 of 176
Date:



Uttar Gujarat Vij Company Limited

CIN - U40102GJ2003SGC042906
(A subsidiary of Gujarat Urja Vikas Nigam Limited)

TENDER NOTICE No:- UGVCL/PROJECT/RDSS/ARVALLI/096

3	Circular Hole Size of Net: 3.5 mm Dia. (Tolerance: ±10%)	The cage should have thickness and holes as specified or better.				
	The thickness of Net: 1.5 mm (min.) with hot-dip galvanized					
	Center to center distance between two consecutive holes in any direction shall be in the range of 45 mm to 70 mm.					
	I. Design Versatility :-					
	The cage should be designed with high durability such that in worst transport condition also, the particles of Earth Enhancement Material should not leach out. For the same the PiC should be wrapped with PVC packing tap.					
	II. Handling :-					
	The cage with all content should be design kept in view handling condition at site.					
4	Zinc coating on electrode :-	The measurement should be taken by coating thickness tester. It should be $\geq 80 \mu$				
	Galvanizing on the main electrode (in 80 micron min.):-					
	Galvanizing on the Perforated cage (in 80 micron min.):-					

5	Earth Enhancement Material (EEM) :-	Soil box test to be carried out with calibrated earth tester - Destructive Testing				
	Resistivity Test of Earth enhancement Back Filling Compound Confirming to IEC: 62561-7					
	Resistivity $\leq 0.2 \Omega$ -m					
	Weight of EEM :-					
	Weight of EEM in 2880 mm Perforated cage dimensions :- 43 Kg Tol.:(-5%, +not limited)					
	Weight of EEM in 1880 mm Perforated cage dimensions :- 28 Kg Tol.:(-5%, +not limited)					

TENDER NOTICE No:- UGVCL/PROJECT/RDSS/ARVALLI/096

B. ACCEPTANCE TEST FOR OTHER ACCESSORIES OF PiC EARTHING:-

Sr. No.	Technical Particulars	Remarks	Confirm (Yes/No) or Measurement Reading			
			Sam p.-1	Samp.- 2	Samp.-3	Samp.-4
1	GI Strip : 25mm wide, 3mm thick, zinc coating min. 80 microns	The size of the GI Strip should be measured with calibrated digital vernier calipers & Galvanized coating with coating thickness tester				
	GI Strip dimensions (B x H) in mm					
	GI Strip coating (in μ)					
2	Earthing Display board made up of FRP material having a size of (L X B x H) in mm - minimum 200 mm x 150 mm x 3 mm with following bare minimum parameters	The size of the FRP board should be measured with the digital calibrated vernier calipers and display board should contain all the details as mentioned.				
	(1) Name of Manufacturer/ Trade Name / Supplier					
	(2) PO NO:					
	(3) Feeder Name					
	(4) PiC Earthing Serial No.					
	(5) Drawing No _____					
	(6) Length Of Electrode in mm					
	(7) Date of Installation					
	(8) Resistance value in Ohm on Installation date					
(9) Soil Resistivity in Ohm-Meter						
3	Dimensions of Rigid PVC Pipe (Sunlight protected):-	The size of the PVC Pipe should be measured with calibrated digital Vernier callipers				
	Outside Diameter : 40 mm (tolerance:- -0.4 mm)					
	Inside Diameter: 34.4 mm (Min.) (Heavy Duty)					
	The pipe should have BIS marking of IS:9537 on its body					
4	Verification of test instrument as per specification:-	The details of the test instrument should be as				
	The bidder has to submit a technical catalog of the earth resistivity measurement instrument to be used in the tender for measurement.	per specification and the calibration certification should be verified (Within 1 Year)				
	Make of instrument					
	4 Pole testing available					
	Professional earth testkit accessories (Company provided : Cable Reels, Spikes, etc.)					
5	uPVC Cable Tie Dimension :-	Dimensions to be verified				
	Dimensions of uPVC Cable Tie (600 mm x 7 mm x 1.3 mm)					

Additional Technical Specification for TENDER NOTICE No:- UGVCL/PROJECT/RDSS/ARVALLI/096

Signature of Tenderer
Place:

Company's Round Seal
Signature of Tenderer

Page 151 of 176
Date:

TENDER NOTICE No:- UGVCL/PROJECT/RDSS/ARVALLI/096

All the measurements needs to be taken with the calibrated Digital Vernier calipers, Digital micro meterscrew gauge, Digital weighing machine, etc.

7.0 GUARANTEED TECHNICAL PARTICULARS (GTP) :

The bidder needs to fill up the details and conforms the technical particulars of the products as perGTP.

A. GURANTEED TECHNICAL PARTICULARS FOR PiC EARTHING :-

Sr. No.	Technical Particulars	Remarks	Details
1	Electrode: (Confirming to IS: 1161 <u>or</u> IS: 1239) Nominal Bore : 40 mm (Medium duty)	The electrode should be ISI marked with the mini. Parameters of weight, thickness, and dimensions as mentioned or better.	
	(a) For 3000 mm Electrode		
	Length (L): 2900 mm (pipe) + 100 mm (terminal)=3000 mm (Tolerance : -1%, + not limited)		
	Outer Diameter (Ø): 48.3 mm (hollow) (With tolerance : 47.9 mm – 48.8 mm)		
	Thickness (t): 3.2 mm (tolerance : -10%, + not limited)		
	Weight of electrode : 10.6 (Kg.) (Tolerance : ± 10 %)		
	(b) For 2000 mm Electrode		
	Length(L): 1900mm(pipe)+100mm(terminal)=2000mm (Tolerance : -1%, + not limited)		
	Outer Diameter (Ø): 48.3 mm (hollow) (With tolerance : 47.9 mm – 48.8 mm)		
	Thickness (t): 3.2 mm (tolerance : -10%, + not limited)		
Weight of electrode : 7.1 (Kg.) (Tolerance : ± 10 %)			
2	Galvanized Perforated cage for Earthing :-	The cage should have thickness and holes as specified or better.	Conforms/ Not Conforms
	a) 2880 mm (L) X 150 mm (Ø) (min.) for 3000 mm electrode		
	b) 1880 mm (L) X 150 mm mm (Ø) (min.) for 2000 mm electrode		
	Tolerances in length: (-1%, + not limited)		
	Circular Hole Size of Net: 3.5 mm Dia. (Tolerance: ±10%)		
	The thickness of Net: 1.5 mm (min.) with hot-dip galvanized		
	Center to center distance between two consecutive holes in any direction shall be in the range of 45 mm to 70 mm.		
3	Zinc coating :-	The zinc coating	
	Galvanizing on the main electrode (in micron):-		

Additional Technical Specification for TENDER NOTICE No:- UGVCL/PROJECT/RDSS/ARVALLI/096

Signature of Tenderer
Place:

Company's Round Seal
Signature of Tenderer

Page 152 of 176
Date:



Uttar Gujarat Vij Company Limited

CIN - U40102GJ2003SGC042906
(A subsidiary of Gujarat Urja Vikas Nigam Limited)

TENDER NOTICE No:- UGVCL/PROJECT/RDSS/ARVALLI/096

	Galvanizing on the Perforated cage (in micron):-	should be Minimum 80 micron for electrode and cage	Conforms/ Not conforms
4	Testing of Mixture proportion for Earth enhancement Back Filling Compound Confirming to IEC: 62561-7 with the soil box and standard earth resistance testing meter (during destructive testing of the selected sample as per proposed sampling criteria as mentioned in Cl.5.0(i). Resistivity $\leq 0.2 \Omega\text{-m}$		Conforms/ Not Conforms
	Weight of EEM Per meter of perforated Cage length (in dry condition) : - 15 KG/meter (Tol.: $\pm 5\%$) <ul style="list-style-type: none"> • Weight of EEM in 2880 mm Perforated cage dimensions: - 43 Kg (Tol.: -5%, +not limited) • Weight of EEM in 1880 mm Perforated cage dimensions: - 28 Kg (Tol.: -5%, +not limited) 		
5	Earth pit:-	No manual excavation shall be allowed	Conforms/ Not Conforms
	Method of digging Earth Pit:-Through Bore/auger machine, having Diameter 200-300 mm		
	Earth Pit: 200-300 mm dia. ?		

B. GURANTEED TECHNICAL PARTICULARS FOR OTHER ACCESSORIES OF PiC EARTHING :-

Sr. No.	Technical Particulars	Remarks	Confirm (Yes/No)
1	GI Strip :	Dimension and coating of GI Strip shall be verified.	
	GI Strip of 25mm wide, 3mm thick, having hot-dip galvanized-zinc coating of min. 80 microns, and joints or welding should be avoided as far as possible. (Joints in earthing circuit is not desirable, however if it is technically not possible to lay earthing strip without joint, in that case only, joints should be provided with minimum 2 No.s of nut bolts and it should be solidly welded.		
2	Earthing Display board made up of FRP material having a size of 200 mm x 150 mm x 3 mm with the following details. It should be mounted with a suitable mounting stand or bind properly with 4 no.s PVC cable ties (Cable tie dimensions to be added).	Earthing display board as per specification should be provided.	
	(1) Name of Manufacturer/ Trade Name / Supplier		
	(2) PO NO:		
	(3) Feeder Name		



Uttar Gujarat Vij Company Limited

CIN - U40102GJ2003SGC042906
(A subsidiary of Gujarat Urja Vikas Nigam Limited)

TENDER NOTICE No:- UGVCL/PROJECT/RDSS/ARVALLI/096

	(4) PiC Earthing Serial No. (5) Drawing No _____ (6) Length Of Electrode in mm (7) Date of Installation (8) Resistance value in Ohm on Installation date (9) Soil Resistivity in Ohm-Meter		
3	Dimensions of Rigid PVC Pipe (Sunlight protected):- a) Outside Diameter : 40 mm (tolerance:- -0.4 mm) b) Inside Diameter: 34.4 mm (Min.) (Heavy Duty) c) BIS marking of IS 9537 on pipe Additionally, the pipe should be conforming to the tests for the effect of sunlight as per Clause no. 8.5 of IS: 13592 with the latest amendments thereof. A valid test report of the NABL accredited lab should be provided for the same.	PVC Pipe should conform to the requirement of dimensions and BIS marking as mentioned	
4	Verification of test instrument as per specification:- The bidder has to submit a technical catalog of the earth resistivity measurement instrument to be used in the tender for measurement.	Verification of test instrument catalog as per tender norms.	
5	Minimum Dimensions of uPVC Cable Tie (600 mm x 7 mm x 1.3 mm)		
6	Verification of workmanship and material used as per specifications, instructions, and drawing; such as GI nut bolts, connections, etc.		
7	Valid calibration certificate of all the measuring instruments used in the inspection.		

8.0 CHECKLIST OF TESTS CERTIFICATES TO BE SUBMITTED:

- 1) Toxic Content test on Conductive materials (RoHS Certification of non-hazardous material)
- 2) Leachability Test as per clause no. 5.2 of IEC 62561-7
- 3) Short Circuit Withstand Test on Earth electrodes (20 KA rms for 1 sec)
- 4) PH Value Test (pH value of > 7 & < 9)
- 5) Sulphur determination Test as per clause no. 5.3 of IEC 62561-7
- 6) Granular Size of Material (Mesh Size of material at least 150-200 mesh)
- 7) Corrosion Test (as per clause no. 5.5 of IEC 62561-7)
- 8) PVC Pipe tests for the effect of sunlight (Clause no. 8.5 of IS: 13592)
- 9) Test instrument brochure

9.0 GUARANTEE:

The product shall be guaranteed to maintain its property of low resistance without its maintenance for a period of 5 years. Any defect discovered during the guarantee period of 5 years has to be rectified free of charge

Additional Technical Specification for TENDER NOTICE No:- UGVCL/PROJECT/RDSS/ARVALLI/096

Signature of Tenderer
Place:

Company's Round Seal
Signature of Tenderer

Page 154 of 176
Date:

TENDER NOTICE No:- UGVCL/PROJECT/RDSS/ARVALLI/096

(PART-B)

TECHNICAL SPECIFICATIONS FOR INSTALLATION, TESTING AND COMMISSIONING OF MAINTENANCE FREE, ECO-FRIENDLY, READY CAPSULE, PIPE-in-CAGE (PiC) TYPE EARTHING WITH ALL RELEVANT ACCESSORIES.

1.0 SCOPE:

This specification covers carting of PiC capsules, GI Strip, etc. from RSO/division/subdivision store to the destination, Installation, Testing and commissioning of maintenance-free, Ready Capsule, Pipe- in-cage type earthing system and other relevant accessories (Like GI Strip, PVC Pipe, Nut-Bolts, Name-plate, etc.) with good standard of workmanship and following guidelines mentioned in IS:3043 and relevant REC standard. The scope also covers to write the measurement reading of testing of earth pit resistance and soil resistivity and other parameters as mentioned on the FRP name plate with non-removable, permanent paint/ UV protected permanent marker for each and every earth pit.

2.0 PROCEDURE FOR INSTALLATION OF PiC EARTHING :

- a) The PiC Earthing needs to be installed **at least 300 mm (30 cm-1ft.) below ground level**, above which the mother soil filling and dumping should be done such that ground level should be maintained as it was before. No parts of earth electrode should be accessible or touchable to the ground level. The connections from the PiC Earth electrode to the parts to which earthing is to be provided should be erected **through the digging of the slot of 1 ft of depth through the soil till the pole/support structure such that the strip should not be easily exposed to the living beings.**
- b) Two different size electrodes are proposed, i.e. 2000 mm and 3000 mm length electrodes. Generally, the electrode having 3000 mm length is preferable. But, wherever digging of 3000 mm pit is not possible, two parallel earthings of electrodes having 2000 mm length are to be used. The earth pits **should be dug with the help of an auger/bore having a size from 200 mm- 300 mm.** as per the length of the electrode. **The manual excavation of the pit shall not be entertained.** The ready-to-use electrode is inserted in the pit vertically and then the pit is filled with local soil and water.
- c) At the time of installation, tight filling of mother soil with sufficient watering is required to make contacts of soil uniformly surrounding to the electrode to provide the low resistive path to dissipate the fault current in all directions from the circular surface of the electrode. The loose earth filling surrounding the newly installed earthing may not give low resistance of earthing.
- d) **The testing of soil resistivity should be carried out at each location with the Wenner-4 point method. The resistance of the earth pit should be measured before connecting the earth electrode to the network and a record of the same shall be preserved. Due care should be taken, as not to measure the earth electrode in live connected condition, the results derived so may be misleading.**

Additional Technical Specification for TENDER NOTICE No:- UGVCL/PROJECT/RDSS/ARVALLI/096

Signature of Tenderer
Place:

Company's Round Seal
Signature of Tenderer

Page 155 of 176
Date:

The measurement of soil resistivity and earth pit resistance should be carried out only through a professional earth testing kit (testing kit with their 30-meter reels, spikes, Test leads, etc.) of Megger, Chauvin Arnoux or fluke make. The accuracy of 4 Pole earth testing kit should be $\pm 2\%$ or better. The brochure of the test equipment to be used is to be submitted with the bid.

e) The connection from Earthing Electrode to various network equipment, Transformer body, Transformer Neutral, fabrication of pole and T/C structure, Lightning Arrestors **by way of using mandatorily by 25 x 3 mm GI strip, Nut-bolts and rigid PVC pipe shall be done.** Due care shall be taken at the time of connection of GI Strip with earth electrode, so that the insulated enameled paint/PVC cap should not be damaged or torn out.

f) To validate the quality of the workmanship, the engineer-in-charge may opt for inspection. If the workmanship quality or material used is found to be deviated from the technical specification, the DISCOM shall take strict action for the same. .

g) Earthing Display board made up of FRP material having a size of 200 mm x 150 mm x 3 mm with the following details. It should free-standing with a suitable mounting stand or bind properly with 4 no.s PVC cable ties.

- (1) Name of Manufacturer/ Trade Name / Supplier
- (2) PO NO:
- (3) Feeder Name
- (4) PiC Serial No.
- (5) Drawing No _____
- (6) Length of Electrode in mm
- (7) Date of Installation
- (8) Resistance value in Ohm on Installation date
- (9) Soil Resistivity in Ohm-Meter

h) Before installation, the surface of the earth electrode shall be cleaned properly, **all resistive materials including PVC packing tap shall be removed from the surface.** If PVC packing tap remains on the surface of PiC earthing, it will prevent the smooth dissipation of current in to the earth.

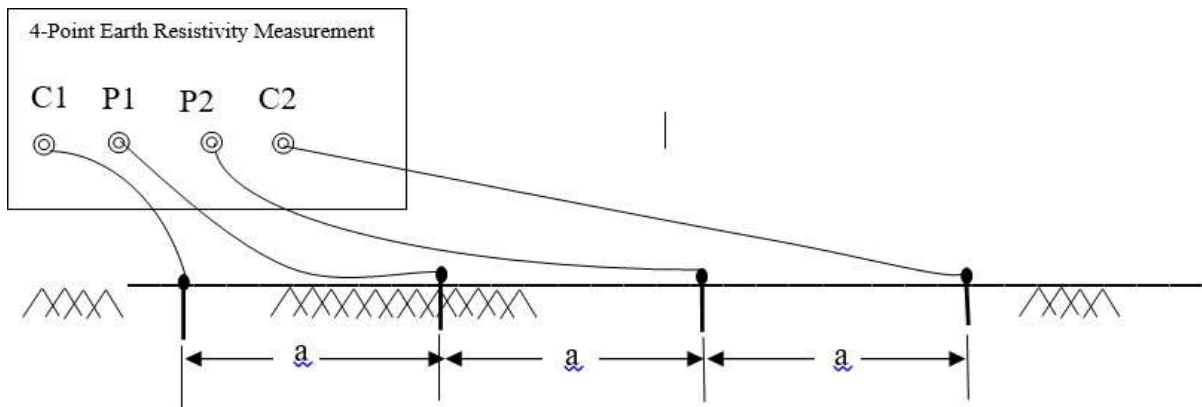
i) The earth pits should be dug with the help of an auger (200 mm-300 mm dia.). The manual excavation of the pit shall not be entertained. The earthing electrode shall be installed at the proper depth and put vertically in the center of the pit and then the pit is filled with local soil and water. At the time of installation, sufficient watering is required to mix up the soil uniformly surrounding the electrode. The care shall be taken that there should be tight bonding between the electrode and mother soil. So proper dumping is required at the time of installation, otherwise the porous (gap) between electrode and mother earth will not allow quick dissipation of fault current.

TENDER NOTICE No:- UGVCL/PROJECT/RDSS/ARVALLI/096

Connections: The scope of work shall cover carting of PiC capsules, GI Strip, etc. from RSO/division/subdivision store to the destination, installation, and Connection of GI Strip of 25mm wide, 3mm thick, having hot-dip galvanized-zinc coating of **min. 80 microns** without any joints or welding. Joints in earthing circuit is not desirable, however if it is **technically not possible to lay earthing strip without joint, in that case only, joints should be provided with minimum 2 No.s of nut bolts and it should be solidly welded.** The connections from the PiC Earth electrode to the parts to which earthing is to be provided should be erected through the digging of the slot of 1 ft of depth through the soil such that the strip should not be easily exposed to the living beings. Also, in the soil, it should be inserted through the PVC pipe, and additionally, up to the minimum height of 2.5 meters from the ground level, it should be erected through the cover of the PVC Pipe supported with a pole by 5 nos of standard make cable ties as per instructions of Engineer-In-Charge. Thus, the whole arrangement should be such that no conducting part shall be exposed to the living being.

3.0 PROCEDURE OF MEASUREMENT/TESTING:-

a) MEASUREMENT OF EARTH RESISTIVITY :



C1-C2 denotes Current Terminal

P1-P2 denotes Potential Terminal

a = the distance between two spikes

For Ex. The calculation of soil resistivity according to Wenner Four electrode method is as below.

Considering distance between spikes (a) = 4 meter

$\rho = 2 \times \pi \times a \times \text{Resistance value}$

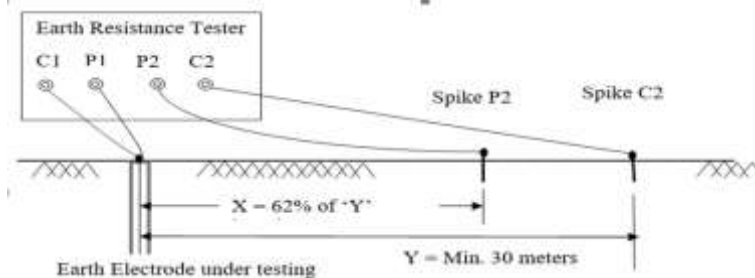
shown by earth resistance tester

$= 2 \times 3.14 \times 4 \text{ m} \times 2 \Omega$

$\rho = 50.24 \Omega\text{-m}$

a) MEASUREMENT OF EARTH PIT RESISTANCE: The value of earthing resistance should be measure by the following method of measurement.

TENDER NOTICE No:- UGVCL/PROJECT/RDSS/ARVALLI/096



The meter will show the value in Ohm

The connecting wire length of the terminal connecting the earth electrode with C1-P1 of megger should not be more than 1 meter. All three electrodes should be in linear alignment to avoid the unnecessary addition of extra earth resistance during the measurement process.

GUARANTEED TECHNICAL PARTICULARS (GTP) :-

Sr. No.	Technical Particulars	Remarks	Details
1	Earth pit:-	No manual excavation shall be allowed	
	Method of digging Earth Pit:-through Bore/auger machine (which machine is available ?)		
	Diameter = 200 – 300 mm dia.		
2	Verification of test instrument as per specification:-	The details of the test instrument should be as per specification and the calibration certification should be verified (Within 1 Year)	

TENDER NOTICE No:- UGVCL/PROJECT/RDSS/ARVALLI/096

Annexure-1

(List of Testing Equipment/Machinery Required from the bidders)

Sr. No.	Name of Equipment	Technical Requirement	Deviation (Yes/No) (Mentioned detail, If any)
1	Soil Box	Designed in compliance with standard ASTM G57	
2	Digital Vernier Calipers*	Range : 0-200mm LCD Resolution : 01mm Accuracy : ±0.02mm	
3	Digital Micrometer Screw gauge*	Range : 0-25mm Accuracy : ±2µm Type : With ratchet stop	
4	Digital Weighing scale*	Range : 10 g to 100 kg Precision : 10gram Weighing platform : 300x300mm wide	
5	Steel Scale*/ Measuring Tape*	Range : 1 cm-1000cm Precision : 1 cm	
6	Coating thickness tester*	Measuring Ranges: Ferrous/Non-ferrous : 0 ~ 1000µm; Guaranteed Tolerance: Ferrous: ±3% +1µm; Non-ferrous: ±3% +1.5µm Precision: Ferrous/Non-ferrous: 0.1µm.	
7	Digital Professional Earth Test Kit*	4-Pole Professional Earth test kit Company provided 30-meter reels, spikes, Test leads, etc. of Megger, Chauvin Arnoux or fluke make. Accuracy : ±2% or better.	

* All instruments having valid Company provided calibration certificate (In case of newly purchased equipment) or NABL accredited calibration certificate of 1 year or later should only be considered valid. Brochure to be provided along with the bid.

TENDER NOTICE No:- UGVCL/PROJECT/RDSS/ARVALLI/096

TECHNICAL TERMS AND CONDITIONS (8M/200Kg):

There may be changes in Technical Terms and Conditions mentioned herein below at the discretion of Company .The bidder are requested to consider final Technical Terms and Condition while filing tender as mentioned in the tender and amended from time to time’.

1	<p>SCOPE OF WORK: The scope of the work covers fabrication and supply PSC Poles of 8 meter long and 200Kgs. working (transverse) load in accordance with the technical terms and drawing of this specification. Alternate design / specifications shall not be considered which may be noted.</p>																														
2	<p>DIMENSIONS AND TOLERANCES:</p> <table border="1" style="width: 100%; border-collapse: collapse;"> <thead> <tr> <th style="width: 5%;">SR NO</th> <th style="width: 30%;">DESCRIPTION</th> <th style="width: 20%;">STANDARD IN MM</th> <th style="width: 20%;">MAXIMUM IN MM</th> <th style="width: 25%;">MINIMUM IN MM</th> </tr> </thead> <tbody> <tr> <td style="text-align: center;">1</td> <td>LENGTH</td> <td style="text-align: center;">8000</td> <td style="text-align: center;">8015</td> <td style="text-align: center;">7985</td> </tr> <tr> <td style="text-align: center;">2</td> <td>WIDTH - TOP - BOTTOM</td> <td style="text-align: center;">114.3 336.55</td> <td style="text-align: center;">117.3 339.55</td> <td style="text-align: center;">111.3 333.55</td> </tr> <tr> <td style="text-align: center;">3</td> <td>THICKNESS</td> <td style="text-align: center;">139.7</td> <td style="text-align: center;">142.7</td> <td style="text-align: center;">136.7</td> </tr> <tr> <td style="text-align: center;">4</td> <td>UP RIGHTNESS</td> <td style="text-align: center;">1 TO 72</td> <td style="text-align: center;">0.5 %</td> <td style="text-align: center;">0.5 %</td> </tr> <tr> <td style="text-align: center;">5</td> <td>PLANTING DEPTH</td> <td style="text-align: center;">1381</td> <td style="text-align: center;">-</td> <td style="text-align: center;">-</td> </tr> </tbody> </table> <p>NOTE: All dimensions are in mm.</p>	SR NO	DESCRIPTION	STANDARD IN MM	MAXIMUM IN MM	MINIMUM IN MM	1	LENGTH	8000	8015	7985	2	WIDTH - TOP - BOTTOM	114.3 336.55	117.3 339.55	111.3 333.55	3	THICKNESS	139.7	142.7	136.7	4	UP RIGHTNESS	1 TO 72	0.5 %	0.5 %	5	PLANTING DEPTH	1381	-	-
SR NO	DESCRIPTION	STANDARD IN MM	MAXIMUM IN MM	MINIMUM IN MM																											
1	LENGTH	8000	8015	7985																											
2	WIDTH - TOP - BOTTOM	114.3 336.55	117.3 339.55	111.3 333.55																											
3	THICKNESS	139.7	142.7	136.7																											
4	UP RIGHTNESS	1 TO 72	0.5 %	0.5 %																											
5	PLANTING DEPTH	1381	-	-																											
3	<p>WORKMANSHIP: The contractor will be responsible for the general soundness as well as good finish of each pole. The workmanship should be of high degree and poles having flaws and defects will be rejected.</p>																														
4	<p>STANDARDS: The poles shall comply with the relevant provisions made in the following Indian standard specifications with latest amendment.</p> <p>i) IS: 1678/1998: Specification for Prestressed concrete poles for overhead Power traction and telecommunication lines ii) IS: 2905/1989: Method of test for concrete poles for Overhead Power and Telecommunication lines. iii) IS:1343 & IS: 456:Code of practice for Prestressed and plain/reinforced Concrete.</p>																														
5	<p>MATERIALS: The materials shall conform to this specification and be in accordance with the guaranteed particulars given. The Consumption of materials per PSC Pole with minimum limit indicated below:</p> <ol style="list-style-type: none"> 1. Cement 53 grade/43 grade 1.61/1.45 Bags. For concrete mix 2. 4mm H.T. Steel wire 12 nos. - For tension wire. 3. 4mm H.T. Steel wire 24 Nos. Rings. 																														

TENDER NOTICE No:- UGVCL/PROJECT/RDSS/ARVALLI/096

The consumption indicated above shall be inclusive of variations inclusive rolling margin. The consumption of cement shall be inclusive of quantity required in finishing work. PSC Pole under destruction test shall be to the Supplier's account.

The quality of materials to be used for manufacturing of PSC poles shall be as under.

[A]**CEMENT:** The Ordinary Portland Cement used in manufacture of prestressed concrete poles shall be relevant to IS: 8112/1989 of 43-Grade / 53- Grade to get 28 days strength of 450 Kg/ cm².

[B] **STEEL:** The 4mm H.T. Steel wire used in manufacture of Prestressed concrete poles shall be conforming to IS 6003/1983 of latest amendment thereof respectively.

[C]**AGGREGATE:** Aggregate used for the manufacturing of Prestressed concrete poles shall conform to IS: 383-1963. Aggregate shall consist of naturally occurring crushed black metal. They shall be hard, strong, dense, durable, clear and free from veins and adherent coating, and free from injurious amount of disintegrated pieces, alkali, vegetable material, and other deterring substances. As far as possible flaky and Elongated pieces should be avoided. It should not contain organic or other admixture that may cause corrosion of the reinforcement or impair the strength or durability of the concrete.

The coarse aggregate shall consist of trap (preferably black) metal and in no case exceed 20 mm size. The fine aggregate shall be sharp, free from impurities and required fineness modules as specified. The sand shall be washed before use by installing a sand washing machine in the factory and the same shall not contain silt and deterring materials. The grading of fine aggregate shall be in accordance with IS: 2386 - 1963 with latest amendment.

[D]**WATER:** Water to be used for process of manufacturing PSC poles like concrete mix and curing should be free from chlorides, other salts and organic materials and it should be got tested in Govt. Laboratory at test once in a year by the party. Potable water is preferable.

5 **STORAGE OF MATERIALS**

The cement shall be stored at the work side in such a manner as to prevent deterioration due to moisture or intrusion of foreign matter.

Steel reinforcement shall ordinary be staggered in such a way so as to avoid distortion and to prevent deterioration and corrosion, it is good practice to coat reinforcement with cement wash before stacking to prevent scale and rust.

The aggregates shall be stored in such a way as to prevent mixing of foreign materials. The heaps of fine and coarse aggregates shall be kept separately. When different sizes of fine or coarse aggregate are procured separately, they shall be stored in separate stockpiles, to prevent the material at the edges of the piles from getting intermixed. Any material, which has deteriorated or has been damaged or is otherwise considered defective, shall not be used for the concrete.

6	<p>TESTING OF MATERIALS: The Supplier shall arrange for the necessary testing of the material like Metal, Sand, Water etc. and see that the materials to be used in the manufacturing confirm to relevant IS</p>
7	<p>METHOD OF MANUFACTURING OF PSC POLES: The Prestressed concrete poles are generally manufactured by long line multiple bed method for mass production.</p> <p>(A) BED AND MOULD: The length and number of rows of concrete casting bed shall be according to the production capacity of pole factory. Preferably one pole bed separately should be provided to minimise wastage of H.T.Steel wire. The Prestressed poles are to be cast in a steel mould having accurately machined bottom bed and side faces. The steel mould should be strong enough to resist distortion. The bed should be absolutely horizontally levelled and free from any undulation. The mould should be capable of being opened in such a way that edges of the poles are not damaged. At both the ends of row of concrete casting bed, the anchor blocks are provided for fixing and stretching of H.T.Steel Wire.</p> <p>(B) STIRRUPS: The stirrups shall be prepared as per the design / drawing of the UGVCL from 4 MM dia H.T. Steel. The stirrups shall be placed in position as per approved drawing. Stirrups shall have standard lap lengths and be welded to ensure maintaining proper shape and position. .</p> <p>(C) PREPARATION OF REINFORCEMENT: All the reinforcement and window boxes shall be accurately placed and maintained in position during the fabrication. As per the Design / Drawing all the stirrups made out of H.T.steel, H.T.Steel wire shall be placed in respective position of the mould and thereafter continuous H.T.Steel wires are arranged through holes and plates of the mould. The welded joints in H.T. Steel wire will not be permitted. The H.T.Steel wires are stretched up to the required tension 10% of UTS as specified in relevant I.S. code with the help of Jacks and anchor blocks. All the wires shall be accurately stretched with uniform prestressing in each wire. Each wire shall be anchored positively during the casting. The tension applied shall be checked with the help of suitable Gauge/Meter.</p> <p>(D) CONCRETE MIX: The concrete mix to be used for manufacturing of PSC Poles shall be prepared by weight batching only in such a manner and proportion so as to achieve the compressive strength of the concrete mix as per IS: 456 and none of the test specimen shall have strength less than 225 and 450 KG/CM² after 3 and 28 days respectively. The cement concrete shall be mixed only in electrically / mechanically operated concrete mixer machine. Gradation of the aggregate used in concrete mix shall adhere to the appropriate Mix Design and proportions be</p>

TENDER NOTICE No:- UGVCL/PROJECT/RDSS/ARVALLI/096

checked in regular interval. Water in concrete shall be added with proper measurement to maintain required water cement ratio. The hand broken metal shall not be permitted.

(E) PLACING OF CONCRETE MIX:

The mould should be free from Dust, Dirt and other organic materials and oil is to be applied before placing the concrete mix. The machine mixed concrete is, thereafter poured in the mould and shall be compacted by spinning, vibrating, shocking or other suitable mechanical means. Over-vibration or under-vibration or vibration of very wet mix is harmful and should be avoided. The Hand compaction shall not be permitted.

On application of vibrator the concrete Mix will compact & get to 2 to 3 mm below form/mould level. This gap shall also be filled up with prepared concrete Mix only & re vibrated. The mixture of cement & sand for filling up the gap as well as finishing work will not be permitted. Finishing work shall be done only with cement slurry.

Care should be taken to see that anchorages do not yield before concrete attains necessary strength. Proper cover for concrete should be maintained throughout process of pouring, compacting etc. of concrete mix.

On achieving setting time, the side faces of the mould shall be removed from the bed and watered at intervals to prevent the surface cracking of the pole. The concrete shall be covered with a layer of sacking, canvas, Hessian or similar absorbent materials and kept constantly wet up to the time when the strength of the concrete reaches to the minimum strength of the concrete at transfer of prestress i.e. for about 72 hours.

The Steam curing may be permitted in exigency or emergency cases with the approval of the competent authority only.

(F) DETENSIONING, CUTTING OF WIRE AND REMOVING OF POLES FROM THE BED:

After ascertaining that concrete has attained required strength of min. 225 KG/CM² by checking the cube strength stretched wires are released from the anchor blocks and cut with the help of welding machine. The cutting shall be started only from the centre of the bed length. The pole is then removed from the bed by lifting at 2 points using gantry and moved to the Curing Pond.

(G) CURING:

The curing of the pole shall commence after setting of the concrete. Continuous curing on bed should be done till it is shifted to curing pond, The curing pond shall be full of water and each pole must be immersed in the water for a period of at least 28 days. If required, water sprinkling shall be done at intervals to keep the poles constantly wet as per I.S.No.1678-1998.

(H) STORING OF POLES READY FOR INSPECTION:

The poles prepared vide method stated above shall be stacked in chronological method and indication of the date of manufacturing and number of poles be put before with particular lot so as to identify the lot by inspecting officer.

TENDER NOTICE No:- UGVCL/PROJECT/RDSS/ARVALLI/096

8	<p>MARKING:</p> <p>The poles shall be clearly and indelibly marked with the following particulars during manufacture, at a position between 5th (W5) and 6th (W6) window indicated in the drawing so as to easily read after erection in position. The mark shall be done by pressing embossed figures / letters of 50 mm height and 20 mm width with gap of 5 mm between two figures. The sample drawing No. - C 583 - R-2 is attached with the tender.</p> <p>(a) Date, month & year of manufacture, (On front face) (b) Serial number of pole, and (On front face) (c) Maker's serial number or mark (On front faces) Maker's serial number or mark on both sides of faces in oil painting to be marked before placing in curing pond. (d) UGVCL (in words) (above planting depth) The pole shall also be suitably marked for the planting depth i.e. 1381 mm from bottom. On both the end of pole the anti-corrosive paint i.e. epoxy based bituminous paints two coats are to be applied. One before putting in curing pond and second after removing from the pond.</p>
9	<p>CUBE TESTING:</p> <p>Total 6 Nos. Cubes of 100mm X 100mm X 100mm size concrete shall be cast daily and tested at release, i.e. after approx. 72 Hours of cast as well as after 28 days, in accordance with Indian Standard specification at Supplier's own expense. The mix for concrete adopted shall be such as to give cube strength not less than 225Kg/cm² at release (after 3 days) and 450 Kg/cm² after 28 days.</p> <p>Cube testing machine shall always be kept in the working condition and regular cube tests shall be taken and results be recorded in the registers duly signed by engineer-in -charge and representative of the Supplier.</p>
10	<p>SAMPLING AND CONFORMITY</p> <p>1] LOT:</p> <p>A. In any batch, all poles of the same class and same dimensions shall be grouped together to constitute a LOT.</p> <p>B. If the number of poles in a lot exceeds 500 then the lot shall be divided into suitable number of SUB-LOTS such that the number of poles i.e. any sub-lot shall not exceed 500. The acceptance or otherwise of a sub lot shall be determined on the basis of the performance of sample selected from it.</p> <p>2] Scale of Sampling: The number of poles to be selected from a lot or a sub-lot shall depend upon its size and shall be in accordance with col.1&2 of the table given below.</p>
	<p>1 SAMPLE SIZE AND CRITERIA OF CONFORMITY</p> <hr/> <p>DIMENSIONAL REQUIREMENTS.</p>



Uttar Gujarat Vij Company Limited

CIN - U40102GJ2003SGC042906
(A subsidiary of Gujarat Urja Vikas Nigam Limited)

TENDER NOTICE No:- UGVCL/PROJECT/RDSS/ARVALLI/096

Size of lot size	Sample No. of Defective	Permissible NO. Of sample Poles Or Sub-Lot (Out of Col.2) for			
		Transverse Strength test (1)	(2)	(3)	(4)
Up to 100	10	1	2		
101 to 200		15	1	3	
201 to 300		20	2	4	
301 to 500		30	3	5	

3] Number of Tests: All the poles as selected as above shall be tested for overall length, cross-section and uprightness. The number of poles to be tested for transverse strength test shall be in accordance with col 4 of table. These poles may be selected from those already tested.

4] Criteria of conformity: A lot or sub-lot shall be considered as conforming to the specification if the conditions under are satisfied.
The numbers of poles which does not satisfy the requirements of overall length; cross-section and uprightness shall not exceed the corresponding number given in col.3 of Table. If the number of such poles exceeds the corresponding number, all poles in the lot or sub-lot shall be tested for these requirements, and those not satisfying the requirements shall be rejected.
All the poles tested for transverse strength test shall satisfy the requirements of the test. If one or more poles fail, twice the number of poles originally tested shall be selected from those already selected, and subjected to the test. If there is no failure among these poles, the lot or the sub-lot shall be considered to have satisfied the requirements of this test. If one or more poles of the second samples fail, the lot or the sub-lot represented by the corresponding samples shall be considered not to have passed the test.

11	<p>METHOD OF INSPECTION AND TESTING GENERAL: The tests on poles shall not be carried out earlier than 28 days from date of manufactured for poles manufactured from ordinary Portland cement. If a chloride free ad mixture is used or rapid hardening Cement of Grade 43 / 53 is used than pole can be tested at 14 days of age. The specimens shall be inspected and any specimen with visible flaws shall be discarded. If any test specimen fails because of mechanical reasons, such as failure of testing equipment of improper specimen preparation, it shall be discarded and another specimen shall be taken.</p> <p>INSPECTION: The Tenderer shall offer Ready Made PSC Poles lot for inspection and relevant tests.</p> <p>(01) DIMENSIONS: All the Poles shall be manufactured in accordance with the detailed dimensional drawing. The tolerance on dimension shall be limited to...</p> <p>(i) For length - □ 15 mm. (ii) For Web thickness - □ 5 mm. (iii) Upright ness - 0.5 % (i.e. 72 to 1.005 / 0.995)</p>
----	--

(02)METHOD OF TESTING:

The pole shall be tested only in the horizontal position or as specified in I.S. 1678 / latest amendment & I.S. 2905 /1989 latest amendment .While testing in the horizontal position, provision shall be made by suitable supports to compensate for the overhanging weight of the pole; for this purpose the overhanging portion of the pole may be supported on a movable trolley or similar device. The frictional resistance of the supporting devices should be separately determined and deducted from the total final load applied on the pole.

Theoretically the permanent deflection should be as per IS 2905 / 1966 and latest amendment thereof. The recovery of deformations should not be less than 90%.

A] Testing Arrangement -

The pole shall be fixed in the crib longitudinally from butt to its ground line and then it shall be secured firmly in place. Wooden saddles with concave surfaces and other packing shall be placed around the pole to prevent injury to the butt section as specified in IS: 2905/1966 - latest amendment.

To minimize vertical movement at the point of load application and to reduce the stresses due to dead weight of the pole, a rail support shall be provided near the point of load application, or alternately a number of friction less supports in the form of trolleys may be provided near the end or throughout the length of the pole. The rail support or other forms of support shall be such that any friction associated with the deflection of the pole under load shall not be a significant portion of the measured load on the pole.

B] Loading - The load shall be applied at a point 600 mm from the top of the pole by means of a suitable device, such as a wire rope and winch placed in a direction normal to the direction of the length of the pole, so that the minimum length of the straight rope under pull (excluding the curved portion near the transmitting devices) is not less than two times the length of the pole. If the loading device is set sufficiently far away from the pole to make the angle between the initial and final positions of pulling line small, the error in assuming that the pull is always perpendicular to the original direction of the pole axis will be negligible. The pulling line shall be kept level between the winch position and the point where load is applied to the pole. The load shall be applied at a constant rate of 4 percent of the specified test load per minute and in accordance with procedure.

C] Pulling Line: The pulling line shall be secured around the pole at the load point. Load measuring device shall be placed in a way so as to accurately measure in the tension in the pulling line. The other end of which is attached to the loading equipment (winch).

D] Load Measurement: Load Cell with accuracy of 5 Kg. for measurement may be adopted. Load cell shall be calibrated before every test. The load measuring



TENDER NOTICE No:- UGVCL/PROJECT/RDSS/ARVALLI/096

	<p>device shall be supported in such a way that the force required to pull it shall not add to the measured load on the pole and that no damage is cause to the instrument if the pole suddenly breaks under test. No pullies or any other device in between load</p>
	<p>application point and load cell will be allowed.</p> <p>E] Deflections - The deflection of the pole and the load applied shall be measured simultaneously at different stages of loading to provide at least five sets of readings or as specified in I.S.2905 & latest amendment thereof. The measurement of the deflection of the load point shall be made in a direction perpendicular to the unloaded position of the pole axis. The measurement shall be made correct to the nearest 1 mm by use of datum board. A second datum line shall also be established from which the movement of the ground line if any, shall be measured.</p> <p>F] PROCEDURE: Load shall be applied at a point 600 mm from the top of the pole and shall be steadily and gradually increased to 250 kg. till formation of 1st crack recording deflection at each increment.</p> <p>The load shall be then reduced to zero and then increased gradually in 50 Kg. increments up to 400Kg load. Then Each load increment be successively increased by 25Kg. up to design ultimate transverse load (i.e. 500 Kgs.). The load shall be increased in steps of 25 Kgs. to measure ultimate transverse load, until failure occurs. Each time the load is applied same shall be held for 2 minutes. The load applied to Prestressed concrete poles at the point of failure shall be measured to the nearest five kilograms.</p> <p>G] RECORDING OF DATA AND MEASUREMENTS: (i) Any hair cracks appearing at a stage prior to the application of the design transverse load at first crack shall be measured using feeler gauges & shall be recorded. It should also be recorded, whether the hair cracks, if any, produced on application of the 60 percent of the minimum ultimate transverse load close up on the removal or reduction of the test load.</p> <p>(ii) The load applied to the pole at the time of failure shall be measured to the nearest 5Kg.</p> <p>iii) A Prestressed concrete pole shall be deemed not to have passed the test if crack wider than 0.1mm appears at a stage prior to the application of the design transverse load at first crack (200 Kgs.)</p> <p>(iv) The definition of failure of PSC Pole in test will be (i) permanent set more than 2.5 Cm. at load of 500 Kgs. Or (ii) Deflection of more than 25 Cms at load of 500 Kgs.</p> <p>H] ULTIMATE FAILURE: The conditions existing when the pole ceases to sustain a load increment owing to either crushing of concrete or snapping of the Prestressing tension or permanent stretching of the steel in any part of the pole. In order to access ultimate load carrying capacity of the pole, UGVCL reserves the right to test 1 (One) no. of pole up to destruction test out of total 1000 no. of poles. This one no. of pole shall not form part of quantity to be supplied by</p>



Uttar Gujarat Vij Company Limited

CIN - U40102GJ2003SGC042906
(A subsidiary of Gujarat Urja Vikas Nigam Limited)

TENDER NOTICE No:- UGVCL/PROJECT/RDSS/ARVALLI/096

the Supplier.

At least one pole shall be subjected to destruction test in the contract in presence of representative from UGVCL, Mehsana.

Signature of supplier/Bidder with Round Seal

Date: Place :

TECHNICAL DATA OF PSC POLES

The Guaranteed Particulars of PSC Poles 8 Mtr. 200 Kg.

- | | | |
|-----|--|--|
| 01. | Working load | : 200 Kg. |
| 02. | Factor of safety | : 2.5 |
| 03. | Ultimate Load | : 500 Kgs. |
| 04. | Dimensions | : |
| (a) | Bottom Cross-Section | : 336.55 x 139.7 mm. |
| (b) | Top Cross-Section | : 114.3 x 139.7 mm. |
| (c) | Total height | : 8,000 mm. |
| (d) | Web thickness. | : 57.15 mm (2.25 inch) |
| (e) | Planting Depth | : 1381 mm. |
| 06. | No. of 20mm dia. holes. | |
| | On Front face | : 02 nos. (100 mm apart). |
| | On side face | : 06 nos. (300 mm apart). |
| 07. | Minimum requirement: | |
| | (a) Cube Test (Each Specimen) | : 450 Kg/Cm ² (28 days). |
| | | : 225Kg/Cm ² (3 days)- at release of Prestress. |
| | (b) Initial tension in HT Steel Wire/Pole. | : 70% of 175.00 Kg/mm ² |
| | as specified in related I.S.Code | |

TENDER NOTICE No:- UGVCL/PROJECT/RDSS/ARVALLI/096

TECHNICAL TERMS AND CONDITIONS

(10M/270Kg):

1	<p>SCOPE OF WORK: The scope of the work covers fabrication and supply PSC Poles of 10 meter long and 270Kgs. working (transverse) load in accordance with the technical terms and drawing of this specification. Alternate design / specifications shall not be considered which may be noted.</p>																									
2	<p>DIMENSIONS AND TOLERANCES:</p> <table border="1" style="width: 100%; border-collapse: collapse;"> <thead> <tr> <th style="text-align: center;">SR NO</th> <th style="text-align: center;">DESCRIPTION</th> <th style="text-align: center;">STANDAR D IN MM</th> <th style="text-align: center;">MAXIMU M IN MM</th> <th style="text-align: center;">MINIMU M IN MM</th> </tr> </thead> <tbody> <tr> <td style="text-align: center;">1</td> <td>LENGTH</td> <td style="text-align: center;">10000</td> <td style="text-align: center;">10015</td> <td style="text-align: center;">9985</td> </tr> <tr> <td style="text-align: center;">2</td> <td>WIDTH - TOP - BOTTOM</td> <td style="text-align: center;">127.00 406.00</td> <td style="text-align: center;">132.00 411.00</td> <td style="text-align: center;">122.00 401.00</td> </tr> <tr> <td style="text-align: center;">3</td> <td>THICKNESS</td> <td style="text-align: center;">165.00</td> <td style="text-align: center;">168.00</td> <td style="text-align: center;">162.00</td> </tr> <tr> <td style="text-align: center;">4</td> <td>PLANTING DEPTH</td> <td style="text-align: center;">1675</td> <td style="text-align: center;">-</td> <td style="text-align: center;">-</td> </tr> </tbody> </table> <p>NOTE: All dimensions are in mm.</p>	SR NO	DESCRIPTION	STANDAR D IN MM	MAXIMU M IN MM	MINIMU M IN MM	1	LENGTH	10000	10015	9985	2	WIDTH - TOP - BOTTOM	127.00 406.00	132.00 411.00	122.00 401.00	3	THICKNESS	165.00	168.00	162.00	4	PLANTING DEPTH	1675	-	-
SR NO	DESCRIPTION	STANDAR D IN MM	MAXIMU M IN MM	MINIMU M IN MM																						
1	LENGTH	10000	10015	9985																						
2	WIDTH - TOP - BOTTOM	127.00 406.00	132.00 411.00	122.00 401.00																						
3	THICKNESS	165.00	168.00	162.00																						
4	PLANTING DEPTH	1675	-	-																						
3	<p>WORKMANSHIP: The contractor will be responsible for the general soundness as well as good finish of each pole. The workmanship should be of high degree and poles having flaws and defects will be rejected.</p>																									
4	<p>STANDARDS: The poles shall comply with the relevant provisions made in the following Indian standard specifications with latest amendment.</p> <p>i) IS: 1678/1998: Specification for Prestressed concrete poles for overhead Power traction and telecommunication lines</p> <p>ii) IS: 2905/1989: Method of test for concrete poles for Overhead Power and Telecommunication lines.</p> <p>iii) IS:1343 & IS:456: Code of practice for Prestressed and plain/reinforced Concrete</p>																									
5	<p>MATERIALS: The materials shall conform to this specification and be in accordance with the guaranteed particulars given. The quality of materials to be used for manufacturing of PSC poles shall be as under.</p> <p>[A] CEMENT: The Ordinary Portland Cement used in manufacture of prestressed concrete poles shall be relevant to IS: 8112/1989 of 43-Grade / 53- Grade to get 28 days strength of 450 Kg/ cm².</p> <p>[B] STEEL: The M.S.Bars of 6mm dia. and 4mm H.T. Steel wire used in manufacture of Prestressed concrete poles shall be conforming to IS: 2062/1989 and 6003/1983 of latest amendment thereof respectively.</p> <p>[C] AGGREGATE: Aggregate used for the manufacturing of Prestressed concrete poles shall conform to IS: 383-1963. Aggregate shall consist of naturally occurring</p>																									

TENDER NOTICE No:- UGVCL/PROJECT/RDSS/ARVALLI/096

	<p>crushed black metal. They shall be hard, strong, dense, durable, clear and free from veins and adherent coating, and free from injurious amount of disintegrated pieces, alkali, vegetable material, and other deteriorous substances. As far as possible flaky and allocated pieces should be avoided. It should not contain organic or other admixture that may cause corrosion of the reinforcement or impair the strength or durability of the concrete. The coarse aggregate shall consist of trap (preferably black) metal and in no case exceed 20 mm size. The fine aggregate shall be sharp, free from impurities and required fineness modules as specified. The sand shall be washed before use by installing a sand washing machine in the factory and the same shall not contain silt and deteriorous materials. The grading of fine aggregate shall be in accordance with IS: 2386 - 1963 with latest amendment. [D]WATER: Water to be used for process of manufacturing PSC poles like concrete mix and curing should be free from chlorides, other salts and organic materials and it should be got tested in Govt. Laboratory at test once in a year by the party. Potable water is preferable.</p>
5	<p>STORAGE OF MATERIALS The cement shall be stored at the work side in such a manner as to prevent deterioration due to moisture or intrusion of foreign matter. Steel reinforcement shall ordinary be staggered in such a way so as to avoid distortion and to prevent deterioration and corrosion, it is good practice to coat reinforcement with cement wash before stacking to prevent scale and rust. The aggregates shall be stored in such a way as to prevent mixing of foreign materials. The heaps of fine and coarse aggregates shall be kept separately. When different sizes of fine or coarse aggregate are procured separately, they shall be stored in separate stockpiles, to prevent the material at the edges of the piles from getting intermixed. Any material, which has deteriorated or has been damaged or is otherwise considered defective, shall not be used for the concrete.</p>
6	<p>TESTING OF MATERIALS: The Supplier shall arrange for the necessary testing of the material like Metal, Sand, Water etc. and see that the materials to be used in the manufacturing confirm to relevant IS.</p>
7	<p>METHOD OF MANUFACTURING OF PSC POLES: The Prestressed concrete poles are generally manufactured by long line multiple bed method for mass production.</p> <p>(A) BED AND MOULD: The length and number of rows of concrete casting bed shall be according to the production capacity of pole factory. Preferably one pole bed separately should be provided to minimise wastage of H.T.Steel wire. The Prestressed poles are to be cast in a steel mould having accurately machined bottom bed and side faces. The steel mould should be strong enough to resist distortion. The bed should be absolutely horizontally levelled and free from any undulation. The mould should be capable of being opened in such a way that edges of the poles are not damaged. At both the ends of row of concrete casting bed, the anchor blocks are provided for fixing and stretching of H.T.Steel Wire.</p> <p>(B) STIRRUPS:</p>

TENDER NOTICE No:- UGVCL/PROJECT/RDSS/ARVALLI/096

	<p>The stirrups shall be prepared as per the design / drawing of the UGVCL from 4 MM dia H.T. Steel or 6MM dia. M.S. Bars. The stirrups shall be placed in position as per approved drawing. Stirrups shall have standard lap lengths and be welded to ensure maintaining proper shape and position. .</p> <p>(C) PREPARATION OF REINFORCEMENT: All the reinforcement and window boxes shall be accurately placed and maintained in position during the fabrication. As per the Design / Drawing all the stirrups made out of M.S.Bars, H.T.Steel wire shall be placed in respective position of the mould and thereafter continuous H.T.Steel wires are arranged through holes and plates of the mould. The welded joints in H.T. Steel wire will not be permitted. The H.T.Steel wires are stretched up to the required tension 10% of UTS as specified in relevant I.S. code with the help of Jacks and anchor blocks. All the wires shall be accurately stretched with uniform prestressing in each wire. Each wire shall be anchored positively during the casting. The tension applied shall be checked with the help of suitable Gauge/Meter.</p> <p>(D) CONCRETE MIX: The concrete mix to be used for manufacturing of PSC Poles shall be prepared by weight batching only in such a manner and proportion so as to achieve the compressive strength of the concrete mix as per IS: 456 and none of the test specimen shall have strength less than 225 and 450 KG/CM2 after 3 and 28 days respectively. The cement concrete shall be mixed only in electrically / mechanically operated concrete mixer machine. Gradation of the aggregate used in concrete mix shall adhere to the appropriate Mix Design and proportions be checked in regular interval. Water in concrete shall be added with proper measurement to maintain required water cement ratio. The hand broken metal shall not be permitted.</p>
	<p>(E) PLACING OF CONCRETE MIX: The mould should be free from Dust, Dirt and other organic materials and oil is to be applied before placing the concrete mix. The machine mixed concrete is, thereafter poured in the mould and shall be compacted by spinning, vibrating, shocking or other suitable mechanical means. Over-vibration or under-vibration or vibration of very wet mix is harmful and should be avoided. The Hand compaction shall not be permitted. On application of vibrator the concrete Mix will compact & get to 2 to 3 mm below form/mould level. This gap shall also be filled up with prepared concrete Mix only & re vibrated. The mixture of cement & sand for filling up the gap as well as finishing work will not be permitted. Finishing work shall be done only with cement slurry. Care should be taken to see that anchorages do not yield before concrete attains necessary strength. Proper cover for concrete should be maintained throughout process of pouring, compacting etc. of concrete mix. On achieving setting time, the side faces of the mould shall be removed from the bed and watered at intervals to prevent the surface cracking of the pole. The concrete shall be covered with a layer of sacking, canvas, Hessian or similar absorbent materials and kept constantly wet up to the time when the strength of the concrete reaches to the minimum strength of the concrete at transfer of prestress i.e. for about 72 hours. The Steam curing may be permitted in exigency or emergency cases with the approval of the competent authority only.</p>



Uttar Gujarat Vij Company Limited

CIN - U40102GJ2003SGC042906
(A subsidiary of Gujarat Urja Vikas Nigam Limited)

TENDER NOTICE No:- UGVCL/PROJECT/RDSS/ARVALLI/096

	<p>(F) DETENSIONING, CUTTING OF WIRE AND REMOVING OF POLES FROM THE BED: After ascertaining that concrete has attained required strength of min. 225 KG/CM2 by checking the cube strength stretched wires are released from the anchor blocks and cut with the help of welding machine. The cutting shall be started only from the centre of the bed length. The pole is then removed from the bed by lifting at 2 points using gantry and moved to the Curing Pond.</p> <p>(G) CURING: The curing of the pole shall commence after setting of the concrete. Continuous curing on bed should be done till it is shifted to curing pond, The curing pond shall be full of water and each pole must be immersed in the water for a period of at least 28 days. If required, water sprinkling shall be done at intervals to keep the poles constantly wet as per I.S.No.1678-1998.</p> <p>(H) STORING OF POLES READY FOR INSPECTION: The poles prepared vide method stated above shall be stacked in chronological method and indication of the date of manufacturing and number of poles be put before with particular lot so as to identify the lot by inspecting officer.</p>
8	<p>MARKING: The poles shall be clearly and indelibly marked with the following particulars during manufacture, at a position between 5th (W5) and 6th (W6) window indicated in the drawing so as to easily read after erection in position. The mark shall be done by pressing embossed figures / letters of 50 mm height and 20 mm</p>
	<p>width with gap of 5 mm between two figures. The sample drawing No. - C 583 - A is attached with the tender.</p> <p>(a) Date, month & year of manufacture, (On front face) (b) Serial number of pole, and (On front face) (c) Maker's serial number or mark (On front faces) Maker's serial number or mark on both sides of faces in oil painting to be marked before placing in curing pond. (d) UGVCL (in words) (above planting depth)</p> <p>The pole shall also be suitably marked for the planting depth i.e. 1675 mm from bottom. On both the end of pole the anti-corrosive paint i.e. epoxy based bituminous paints two coats are to be applied. One before putting in curing pond and second after removing from the pond.</p>
9	<p>CUBE TESTING: Total 6 Nos. Concrete Cubes of 100mm X 100mm X 100mm size shall be cast daily and tested at release, i.e. after approx. 72 Hours of cast as well as after 28 days, in accordance with Indian Standard specification at Supplier's own expense. The mix for concrete adopted shall be such as to give cube strength not less than 225Kg/cm2 at release (after 3 days) and 450 Kg/cm2 after 28 days. Cube testing machine shall always be kept in the working condition and regular cube tests shall be taken and results be recorded in the registers duly</p>

TENDER NOTICE No:- UGVCL/PROJECT/RDSS/ARVALLI/096

	<p>signed by engineer-in -charge and representative of the Supplier.</p>
<p align="center">10</p>	<p>SAMPLING AND CONFORMITY 1] LOT: A. In any batch, all poles of the same class and same dimensions shall be grouped together to constitute a LOT. B. If the number of poles in a lot exceeds 200 then the lot shall be divided into suitable number of SUB-LOTS such that the number of poles i.e. any sub-lot shall not exceed 200. The acceptance or otherwise of a sub lot shall be determined on the basis of the performance of sample selected from it. 2] Scale of Sampling: The number of poles to be selected from a lot or a sub-lot shall depend upon its size and shall be in accordance with col.1&2 of the table given below. 3] Number of Tests: All the poles as selected as above shall be tested for overall</p>
	<p>length, cross-section and uprightness. The number of poles to be tested for transverse strength test shall be in accordance with col 4 of table. These poles may be selected from those already tested. 4] Criteria of conformity: A lot or sub-lot shall be considered as conforming to the specification if the conditions under are satisfied. The numbers of poles which does not satisfy the requirements of overall length; cross-section and uprightness shall not exceed the corresponding number given in col.3 of Table. If the number of such poles exceeds the corresponding number, all poles in the lot or sub-lot shall be tested for these requirements, and those not satisfying the requirements shall be rejected. All the poles tested for transverse strength test shall satisfy the requirements of the test. If one or more poles fail, twice the number of poles originally tested shall be selected from those already selected, and subjected to the test. If there is no failure among these poles, the lot or the sub-lot shall be considered to have satisfied the requirements of this test. If one or more poles of the second samples fail, the lot or the sub-lot represented by the corresponding samples shall be considered not to have passed the test.</p>
<p align="center">11</p>	<p>METHOD OF INSPECTION AND TESTING GENERAL: The tests on poles shall not be carried out earlier than 28 days from date of manufactured for poles manufactured from ordinary Portland cement or blast furnace slag cement. If a chloride free ad mixture is used or rapid hardening Cement of Grade 43 / 53 is used than pole can be tested at 14 days of age. The specimens shall be inspected and any specimen with visible flaws shall be discarded. If any test specimen fails because of mechanical reasons, such as failure of testing equipment of improper specimen preparation, it shall be discarded and another specimen shall be taken. INSPECTION: The Tenderer shall offer Ready Made PSC Poles lot for inspection and relevant tests. (01) DIMENSIONS: All the Poles shall be manufactured in accordance with the detailed dimensional drawing. The tolerance on dimension shall be limited to...</p>

TENDER NOTICE No:- UGVCL/PROJECT/RDSS/ARVALLI/096

	<p>(i) For length - <input type="checkbox"/> 15 mm. (ii) For Web thickness - <input type="checkbox"/> 5 mm. (iii) Upright ness - 0.5 % (i.e. 72 to 1.005 / 0.995)</p> <p>(02)METHOD OF TESTING: The pole shall be tested only in the horizontal position or as specified in I.S. 1678 / latest amendment & I.S. 2905 /1989 latest amendment .While testing in the horizontal position, provision shall be made by suitable supports to compensate for the overhanging weight of the pole; for this purpose the overhanging portion of the pole may be supported on a movable trolley or similar device. The frictional resistance of the supporting devices should be separately determined and deducted from the total final load applied on the pole. Theoretically the permanent deflection should be as per IS 2905 / 1966 and latest amendment thereof. The recovery of deformations should not be less than 90%.</p>
	<p>A] Testing Arrangement - The pole shall be fixed in the crib longitudinally from butt to its ground line and then it shall be secured firmly in place. Wooden saddles with concave surfaces and other packing shall be placed around the pole to prevent injury to the butt section as specified in IS: 2905/1966 – latest amendment. To minimize vertical movement at the point of load application and to reduce the stresses due to dead weight of the pole, a rail support shall be provided near the point of load application, or alternately a number of friction less supports in the form of trolleys may be provided near the end or throughout the length of the pole. The rail support or other forms of support shall be such that any friction associated with the deflection of the pole under load shall not be a significant portion of the measured load on the pole.</p> <p>B] Loading - The load shall be applied at a point 600 mm from the top of the pole by means of a suitable device, such as a wire rope and winch placed in a direction normal to the direction of the length of the pole, so that the minimum length of the straight rope under pull (excluding the curved portion near the transmitting devices) is not less than two times the length of the pole. If the loading device is set sufficiently far away from the pole to make the angle between the initial and final positions of pulling line small, the error in assuming that the pull is always perpendicular to the original direction of the pole axis will be negligible. The pulling line shall be kept level between the winch position and the point where load is applied to the pole. The load shall be applied at a constant rate of 4 percent of the specified test load per minute and in accordance with procedure.</p> <p>C] Pulling Line: The pulling line shall be secured around the pole at the load point. Load measuring device shall be placed in a way so as to accurately measure in the tension in the pulling line. The other end of which is attached to the loading equipment (winch).</p> <p>D] Load Measurement: Load Cell with accuracy of 5 Kg. for measurement may be adopted. Load cell shall be calibrated before every test. The load measuring device shall be supported in such a way that the force required to pull it shall not add to the measured load on the pole and that no damage is cause to the instrument if the pole suddenly breaks under test. No pullies or any other device in between load application point and load cell will be</p>



TENDER NOTICE No:- UGVCL/PROJECT/RDSS/ARVALLI/096

	<p>allowed.</p> <p>E] Deflections - The deflection of the pole and the load applied shall be measured simultaneously at different stages of loading to provide at least five sets of readings or as specified in I.S.2905 & latest amendment thereof. The measurement of the deflection of the load point shall be made in a direction perpendicular to the unloaded position of the pole axis. The measurement shall be made correct to the nearest 1 mm by use of datum board. A second datum line shall also be established from which the movement of the ground line if any, shall be measured.</p> <p>F] PROCEDURE: Load shall be applied at a point 600 mm from the top of the pole and shall be steadily and gradually increased in increments of 67.5Kg. till formation of 1st crack recording deflection at each increment.</p> <p>The load shall be then reduced to zero and then increased gradually in 67.5 Kg. increments to 540Kg load. Each load increment be successively increased by 33.75Kg. Up to design ultimate transverse load (i.e. 675 Kgs.). The load shall be increased in steps of 33.75 Kgs. to measure ultimate transverse load, until failure</p>								
	<p>occurs. Each time the load is applied same shall be held for 2 minutes. The load applied to Prestressed concrete poles at the point of failure shall be measured to the nearest five kilograms.</p> <p>G] RECORDING OF DATA AND MEASUREMENTS :(i) Any hair cracks appearing at a stage prior to the application of the design transverse load at first crack shall be measured using feeler gauges & shall be recorded. It should also be recorded, whether the hair cracks, if any, produced on application of the 60 percent of the minimum ultimate transverse load close up on the removal or reduction of the test load.</p> <p>(ii) The load applied to the pole at the time of failure shall be measured to the nearest 5Kg.</p> <p>iii) A Prestressed concrete pole shall be deemed not to have passed the test if crack wider than 0.1mm appears at a stage prior to the application of the design transverse load at first crack (270 Kgs.)</p> <p>(iv) The definition of failure of PSC Pole in test will be (i) permanent set more than 3.5 Cm. at load of 675 Kgs. Or (ii) Deflection of more than 35 Cms at load of 675 Kgs.</p> <p>H] ULTIMATE FAILURE: The conditions existing when the pole ceases to sustain a load increment owing to either crushing of concrete or snapping of the Prestressing tension or permanent stretching of the steel in any part of the pole. At least one pole shall be subjected to destruction test in the contract in presence of representative from UGVCL, Mehsana.</p>								
	<p>TECHNICAL DATA OF PSC POLES</p> <p>The Guaranteed Particulars of PSC Poles 10 Mtr. 270 Kg.</p> <table><tr><td>01. Working load</td><td>: 270 Kg.</td></tr><tr><td>02. Factor of safety</td><td>: 2.5</td></tr><tr><td>03. Ultimate Load</td><td>: 675 Kgs.</td></tr><tr><td>04. Dimensions</td><td>:</td></tr></table>	01. Working load	: 270 Kg.	02. Factor of safety	: 2.5	03. Ultimate Load	: 675 Kgs.	04. Dimensions	:
01. Working load	: 270 Kg.								
02. Factor of safety	: 2.5								
03. Ultimate Load	: 675 Kgs.								
04. Dimensions	:								



Uttar Gujarat Vij Company Limited

CIN - U40102GJ2003SGC042906
(A subsidiary of Gujarat Urja Vikas Nigam Limited)

TENDER NOTICE No:- UGVCL/PROJECT/RDSS/ARVALLI/096

(a)	Bottom Cross-Section	: 406 x 165 mm.
(b)	Top Cross-Section	: 127 x 165 mm.
(c)	Total height	: 10,050 mm.
(d)	Web thickness.	: 63 mm
(e)	Planting Depth	: 1675 mm.
05.	No. of Windows	: 09 nos.
06.	No. of 20mm dia. holes.	
	On Front face	: 06 nos. (100 mm apart).
07.	Minimum requirement:	
	(a) Cube Test (Each Specimen)	: 450 Kg/Cm2 (28 days).
		: 225Kg/Cm2 (3 days)- at release of Prestress.
	(b) Initial tension in HT Steel Wire/Pole.	: 70% of 175.00 Kg/mm2
	as specified in related I.S.Code	