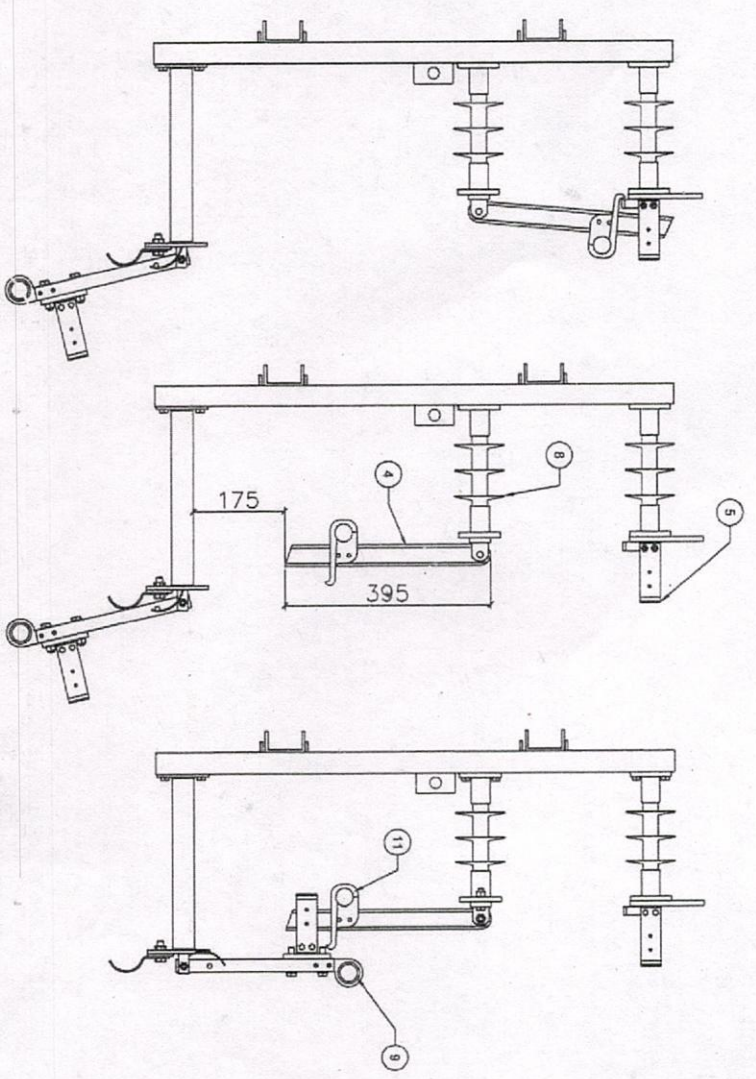
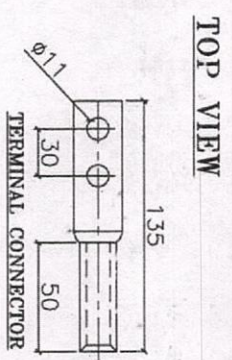
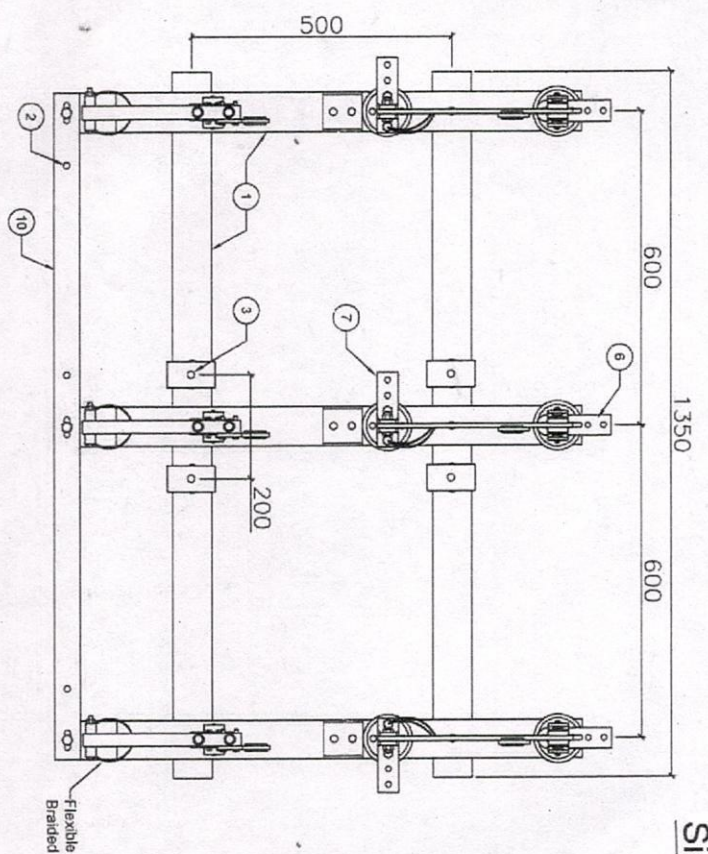


Drawing No: - GPRD - 39
Single Pole Mounted ABEB



NOTES:

1. ALL DIMENSIONS ARE IN MM UNLESS OTHERWISE NOTICED.
2. IN DIMS TOLERANCE SHALL BE +5% MIN. 1 MM. (IF NOT MENTION IN TECH SPECIFICATION.)
3. ALL FERROUS MATERIALS SHOULD BE HOT DIP GALVANIZED AS PER IS.
4. EARTH ELECTRODE SHOULD BE OF 50MM OD 3 MTR LONG CLASS B HOT DIP GALVANIZED.
5. CONNECTING EARTH STRIP FROM SWITCH TO EARTH ELECTRODE SHOULD BE 40X3MM SIZE.

- All dimensions are to be read and not to be measured.
- In case of any discrepancy between GPRD cell - CUVAL, GOS Drgs. And other Drgs. Discrepancy should be brought to the notice of the GPRD before commencement of the work.
- In case of any ambiguities on site, the GPRD should be informed. It is must to inform and to have prior permission of GPRD before making any changes on site.
- Refer the latest revised drawing.

Project Name:
11KV ABEB SWITCH

Title:
11 KV 600 Amp Air Break Switch With Earth Blade Facility

Drawing Prepared By:
 Jignesh Borisaga

Checked By:
 R D Patel

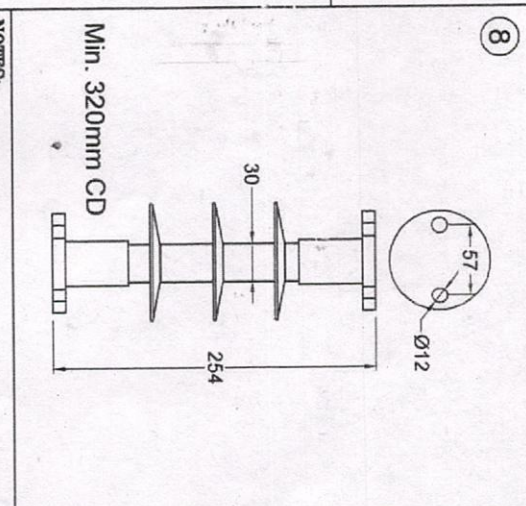
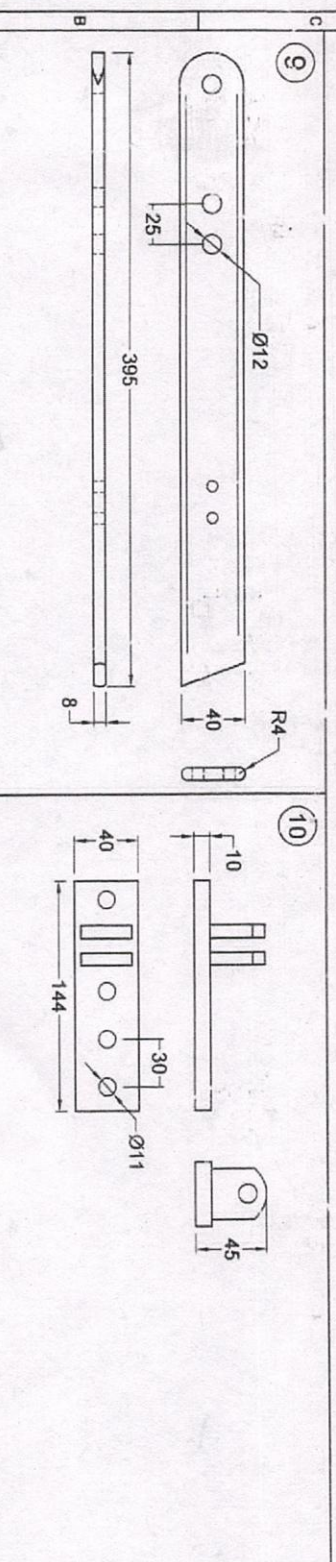
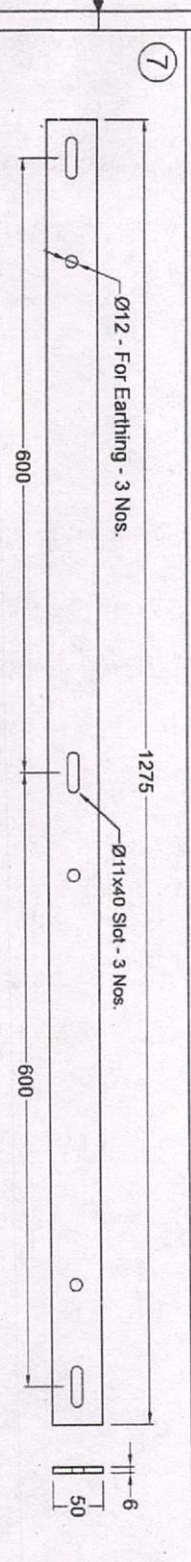
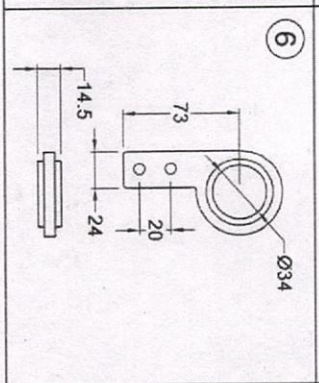
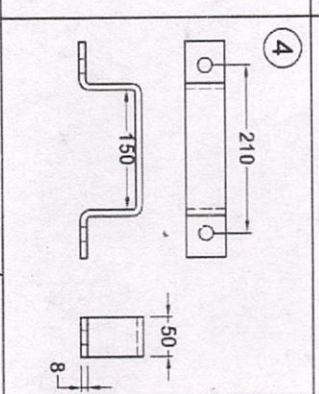
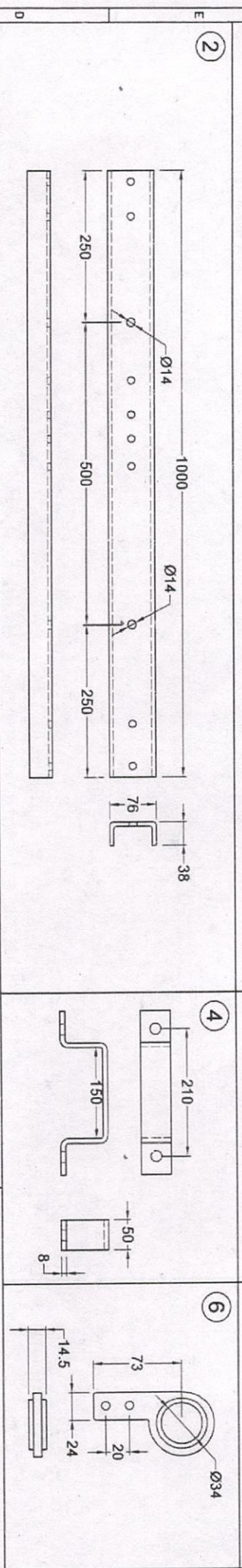
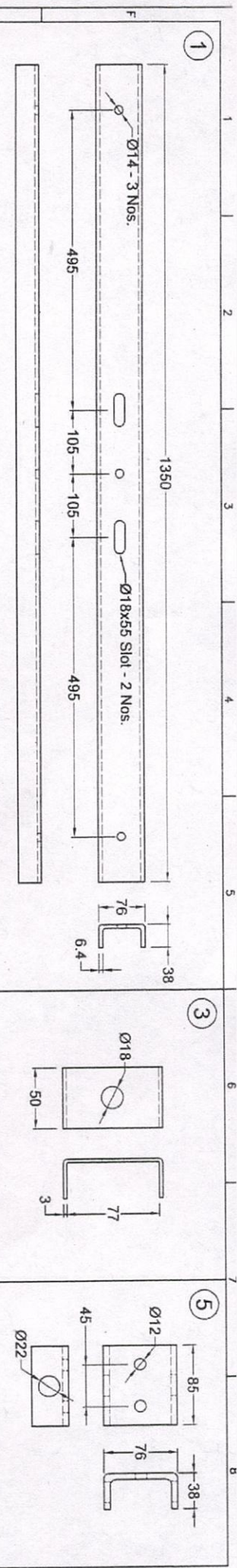
Approved By:
 R B Patel

Research Proj. No.:
 RP 014 - 39.1 - GA

Date:
 22.10.2019

Gujarat Power Research & Development Cell,
 IIT Gandhinagar Research Park,
 IIT Gandhinagar, Palaj, Gandhinagar

No.	PART NAME	QTY	SIZE	MATERIAL	REMARKS
11	Locking earth Operating Hook for main switch	3	-	SS	-
10	GI Strip	1	50X6	MS	HOG
9	Operating Hook	3	-	Aluminium	-
8	11KV Post Insulator	6	254mm High	Polymeric	Min. 320mm CD
7	Outgoing Terminal	3	-	Copper Alloy	Silver/Tin Plated
6	Incoming Terminal	3	-	Copper Alloy	Silver/Tin Plated
5	Fix Contact	6	-	EC Copper	-
4	Moving Contact	3	-	EC Copper	Silver/Tin Plated
3	Mounting	4	Ø18X55 Slot	-	-
2	Earthing Terminal	3	M10 BOLT	F.R.P	HDG
1	Mounting Channel	3	C 75X40X6	F.R.P (UNYESTER)	-



Sr	Parts	Size	Remarks	Qty	Sr	Parts	Size	Remarks	Qty
5	Pin Support Clamp	C 76x38x6.4	FRP	3	10	Moving Contact Base	40x10	Silvered/Tinned Cu Alloy	3
4	Pole Mounting Clamp	F 50x8	MS HDG	2	9	Moving Contact	F 40x8	Silvered/Tinned EC Cu	3
3	Mounting Support Clamp	F 50x3	MS HDG	4	8	11kV Post Insulator	As per Drwg	Polymeric	6
2	Base Channel	C 76x38x6.4	FRP	3	7	Earth Shorting Strip	F 50x6	MS HDG	1
1	Mounting Channel	C 76x38x6.4	FRP	2	6	Operating Hook	As per Drwg	Al Casting	6

NOTES:

1. ALL DIMENSIONS ARE IN MM UNLESS OTHERWISE NOTICED.
2. IN DIMENSION TOLERANCE SHALL BE 25%, MIN. 1mm.
3. ALL CURRENT CARRYING PARTS TO BE TIN PLATED.
4. ALL FERROUS PARTS TO BE HOT DIP GALVANIZED AS PER IS:4759-1998 (min 610g/m²)

11kV 600A ABB Switch Parts Drawing

Research Proj. No: RP 014 - 38.3 - Part 1/3
Date: 13-11-2019

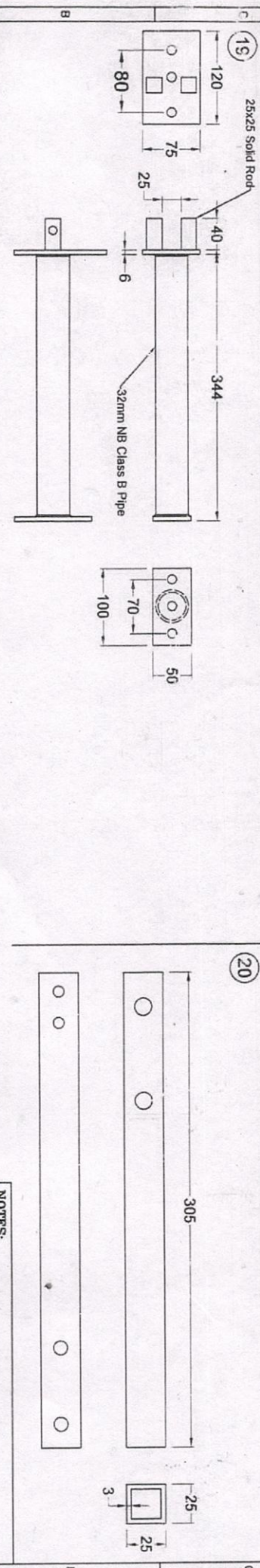
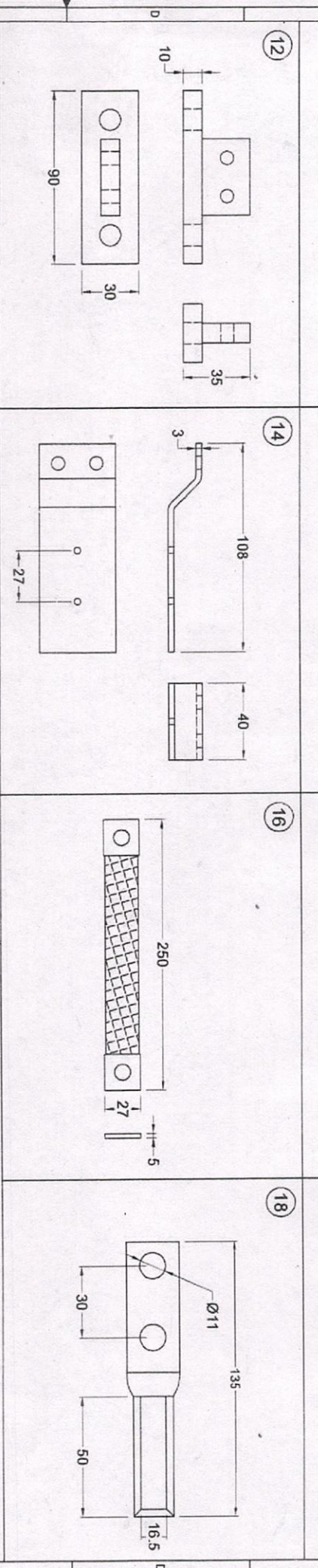
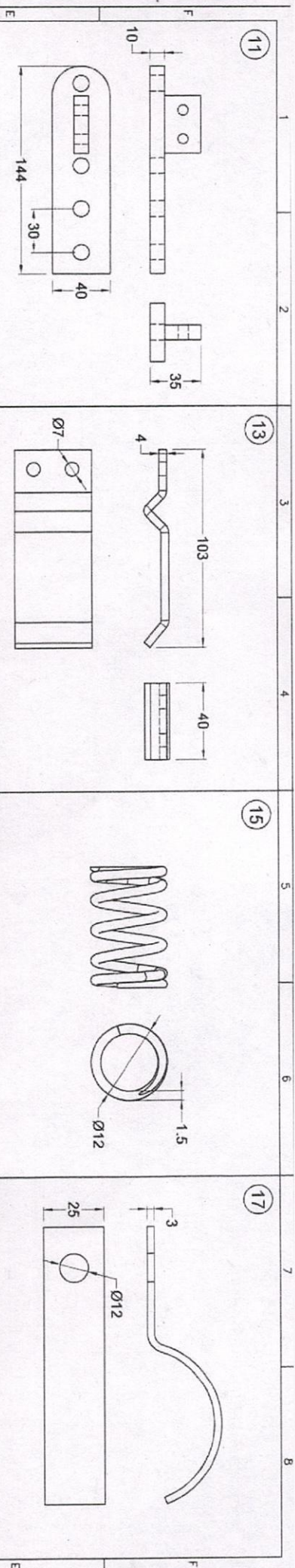
Gujarat Power Research & Development Cell,
IIT Gandhinagar Research Park,
IIT Gandhinagar, Palaj, Gandhinagar

CONTROLLED UNLESS OTHERWISE SPECIFIED

THIS DRAWING IS SUBJECT TO REVISION / UPDATES

[Signature]
R. D. Patel
[Signature]
R. D. Patel





Sr	Parts	Size	Remarks	Qty	Sr	Parts	Size	Remarks	Qty
15	Spring	As per Drg	Spring Steel	24	20	Earth Moving Sq. Pipe	25x25 Pipe	MS HDG	3
14	Fix Contact Guard	F 40X3	MS HDG	12	19	Earth Mounting Structure	As per Drg	MS HDG	3
13	Fix Contact	F 40X4	Silvered/Tinned EC Cu	12	18	Lug	As per Drg	Aluminium	6
12	Earth Contact Base	30X10	Silvered/Tinned EC Cu	3	17	Earth Limit Flat	F 25X3	MS HDG	3
11	Fix Contact Base	40X10	Silvered/Tinned EC Cu	3	16	Flexible Braided Copper - Earth	As per Drg	Tinned Cu	6

Bill of Materials

CONTROLLED UNLESS OTHERWISE SPECIFIED

THIS DRAWING IS SUBJECT TO REVISION / UPDATE

- NOTES:**
1. ALL DIMENSIONS ARE IN MM UNLESS OTHERWISE NOTICED.
 2. IN DIMENSION TOLERANCE SHALL BE ±0.10, MIN. 1mm.
 3. ALL CURRENT CARRYING PARTS TO BE TYP PLATED.
 4. ALL FERROUS PARTS TO BE HOT DIP GALVANIZED AS PER IS 4759-1998 Min. 60g/m²

11kV 600A ABB Switch Parts Drawing
 Research Proj. No. RP 014 - 39.4 - Part 2/3
 Date: 13-11-2019

Gujarat Power Research & Development Cell,
 IIT Gandhinagar Research Park,
 Gandhinagar, Palaj, Gandhinagar

Sheet: 2 of 3

Tilaksh Borisya R D Patel R B Patel