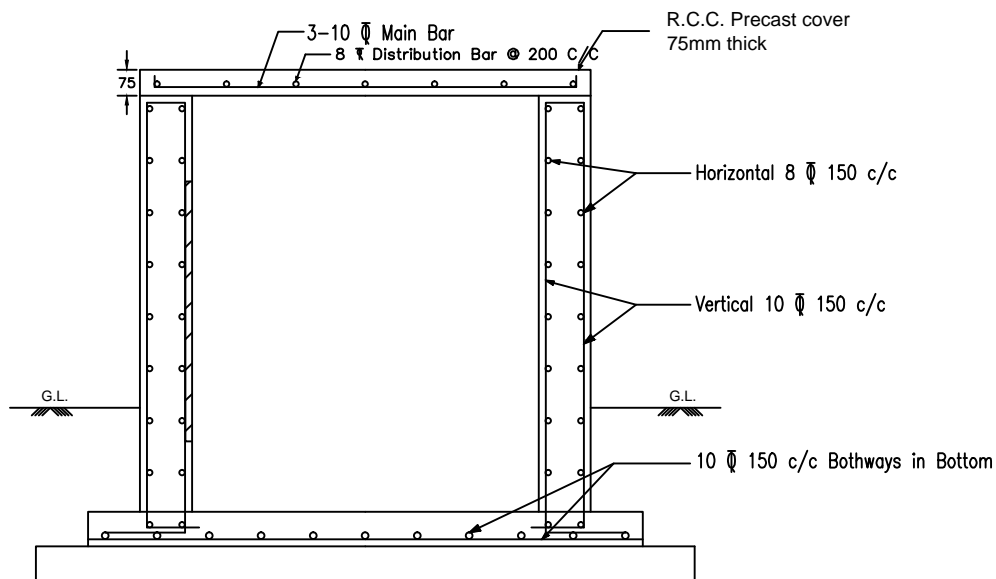


SECTION OF 3 TIER CABLE TRENCH

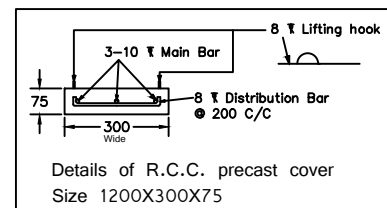
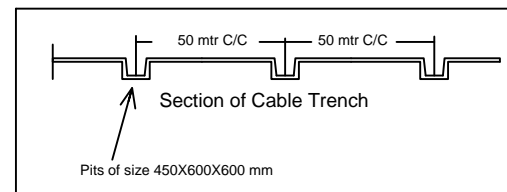


RCC Details of cable trench

SPECIAL NOTE:
1. ITEM OF M.S. LADDER TRAY IS IN SCOPE OF ELECTRICAL CONTRACTOR.

NOTES:-

- All dimension are in MM.
- All RCC work is to be carried out as per IS 456(2000).
- CONC.MIX M-20 GRADE
- CEMENT AS PER IS-8112
- Reinforcement bar shall be TMT bars conforming to IS 1786 fe-415 for RCC work. Lap length should be 50 X dia. of bar..
- Sufficient slope (1 in 1000) shall be provided at bottom of cable trench so that rain water (if any) enters may be collected at one point & drain of easily.
- No foundation shall be rest on filledup soil. In case filled soil encountered foundation shall be taken 500mm below virgin soil.
- Clear cover to all reinforcement shall be 20mm.
- Holes shall be kept in RCC wall at required location for entry of cable of equipment as per approved electrical layout.
- Expansion joint to be provided at every 50 mtr length.

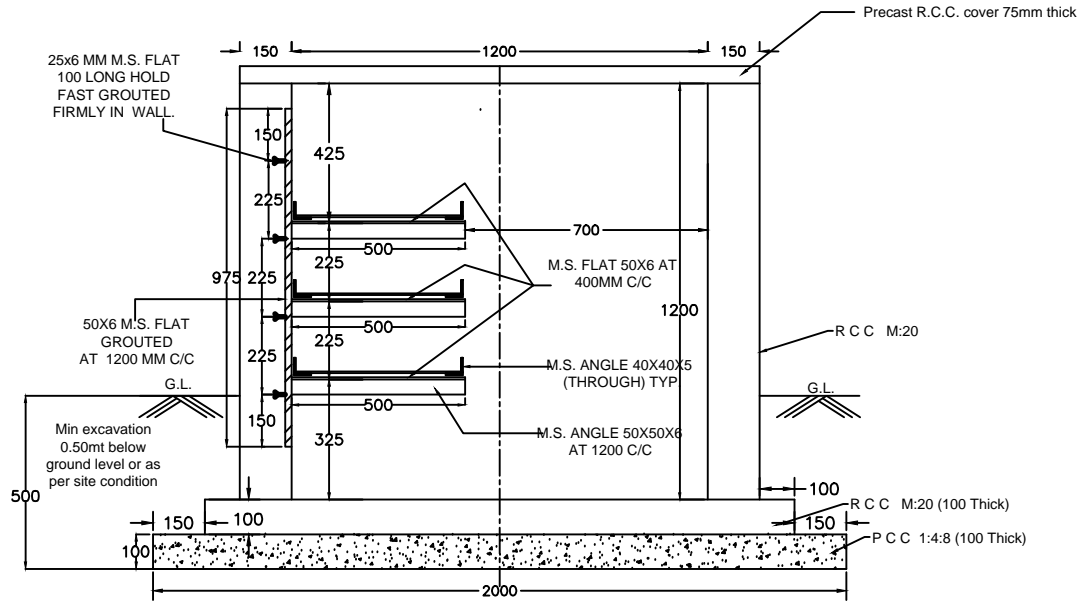


Details of R.C.C. precast cover
Size 1200X300X75

Do not scale this drawing, only written dimension shall be followed.

UTTAR GUJARAT VIJ CO LTD				
R&C OFFICE, MEHSANA				
3 Tier Cable Trench for MSME park - Mandal for 18M road				
Drawing traced from GETCO drawing no. 4S-162/CBLT-018 & GETCO/C/48-001/P-03 and prepared by Civil section				
DRAWN:	CHECKED:	APPD:	SIZE: A4	
SCALE: Not to Scale	DATE:	DRG. NO: UGVCL/R&D-PP/TRENCH/001	SHEET: 1 OF 1	REV: RO

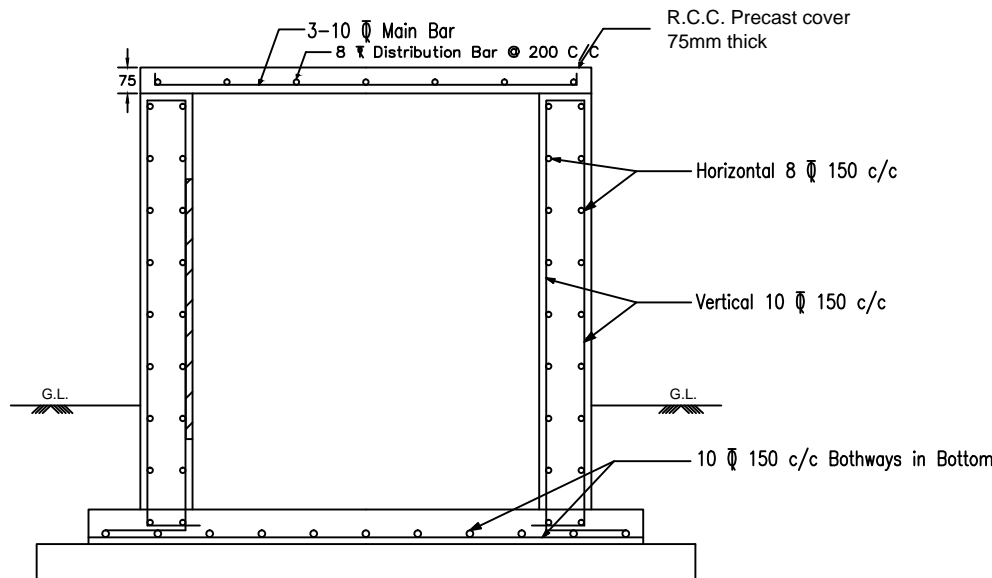
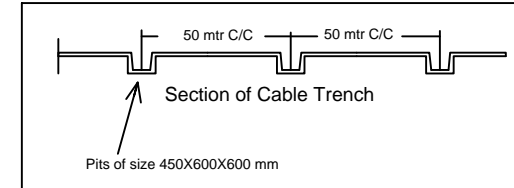
GENERAL NOTE:
1. ITEM OF M.S. LADDER TRAY IS IN SCOPE OF ELECTRICAL CONTRACTOR.



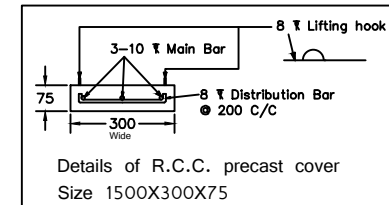
SECTION OF 3 TIER CABLE TRENCH

NOTES:-

- All dimension are in MM.
- All RCC work is to be carried out as per IS 456(2000).
- CONC.MIX M-20 GRADE
- CEMENT AS PER IS-8112
- Reinforcement bar shall be TMT bars conforming to IS 1786 fe-415 for RCC work. Lap length should be 50 X dia. of bar..
- Sufficient slope (1 in 1000) shall be provided at bottom of cable trench so that rain water (if any) enters may be collected at one point & drain of easily.
- No foundation shall be rest on filledup soil. In case filled soil encountered foundation shall be taken 500mm below virgin soil.
- Clear cover to all reinforcement shall be 20mm.
- Holes shall be kept in RCC wall at required location for entry of cable of equipment as per approved electrical layout.
- Expansion joint to be provided at every 50 mtr length.

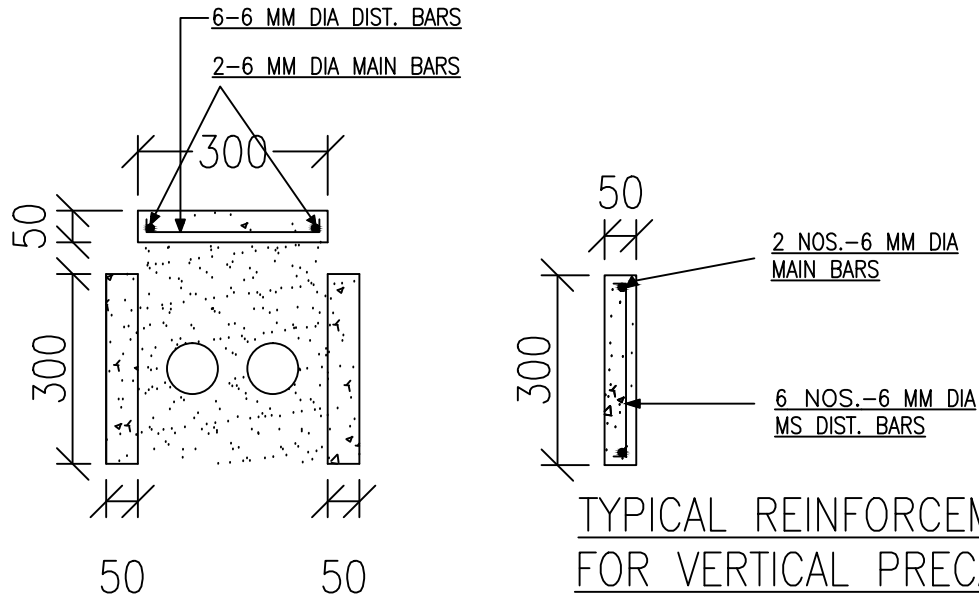


RCC Details of cable trench



Do not scale this drawing, only written dimension shall be followed.

UTTAR GUJARAT VIJ CO LTD R&C OFFICE, MEHSANA			
3 Tier Cable Trench for MSME park - Mandal for 27M road			
Drawing traced from GETCO drawing no. 4S-162/CBLT-018 & GETCO/C/48-001/P-03 and prepared by Civil section			
DRAWN:	CHECKED:	APPD:	SIZE: A4
SCALE: Not to Scale	DATE:	DRG. NO: UGVCL/R&D-PP/TRENCH/001	SHEET: REV: 1 OF 1 R0



FOR WALL HEIGHT 300 MM (2 NOS. VERTICAL BLOCKS) & CLEAR WIDTH 300 MM (1 NO. HORIZONTAL BLOCK)

LENGTH OF EACH BLOCK = 1000 MM

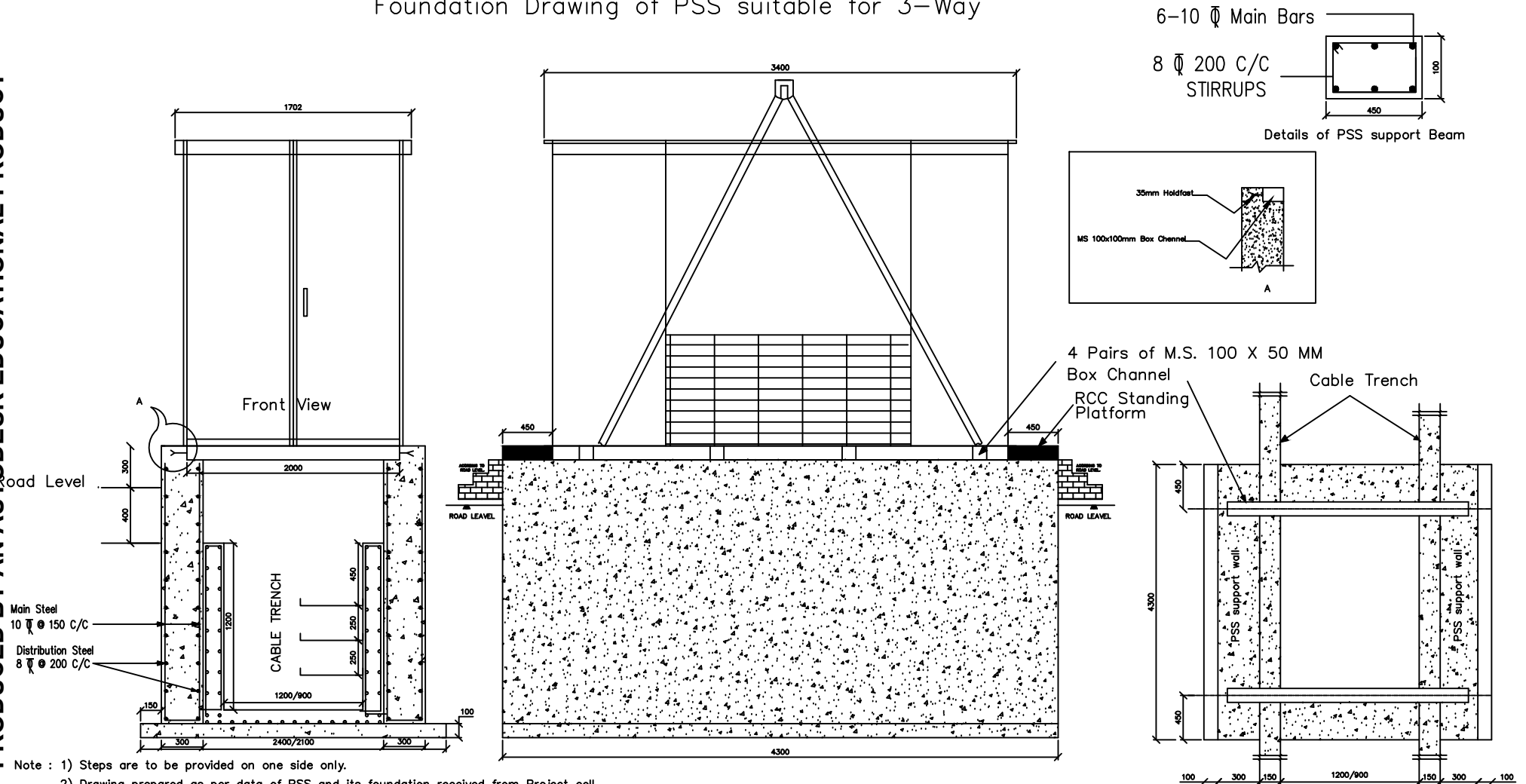
DETAILS OF PRECAST RCC CABLE GUARD BLOCK FOR U.G. CABLE LAYING WORK AT MSME PARK – MANDAL

UTTAR GUJARAT VIJ COMPANY LIMITED
PRECAST R.C.C. CABLE GUARD BLOCK
DRAWING NO. : UGVCL/R&D-PP/PCCT/001
DRG. PREPARED BY CIVIL SECTION
DRAWN BY :
CHECKED BY :
APPROVED BY :

Foundation Drawing of PSS suitable for 3-Way

PRODUCED BY AN AUTODESK EDUCATIONAL PRODUCT

PRODUCED BY AN AUTODESK EDUCATIONAL PRODUCT



- Note : 1) Steps are to be provided on one side only.
2) Drawing prepared as per data of PSS and its foundation received from Project cell

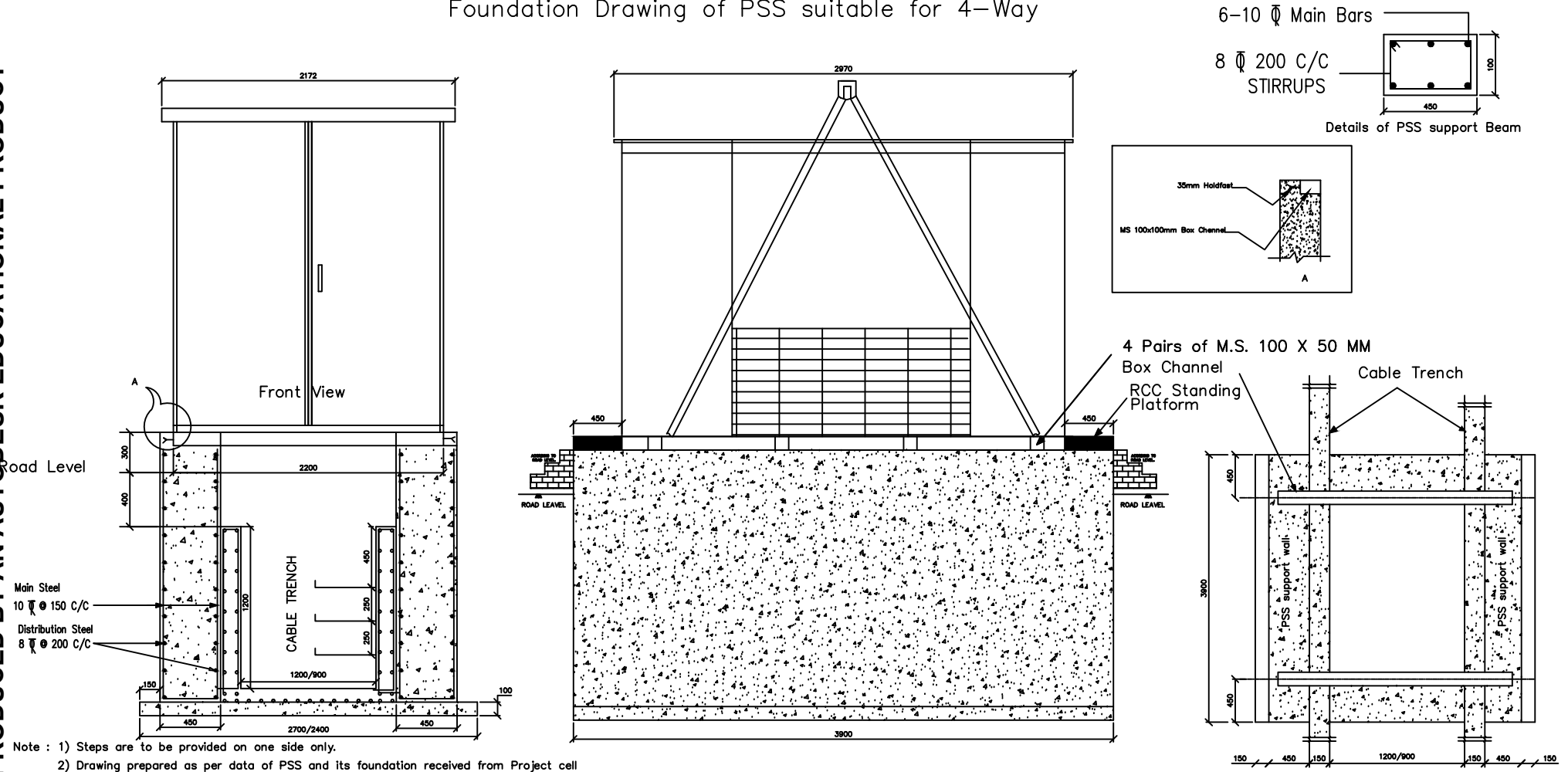
Proposed PSS (3-Way) foundation with R.C.C. wall

Approved By:	Approved By:	Project Title	Drawing Title	Client
		UNDERGROUNDING OF HT/LT NETWORK AT MSME PARK-MANDAL	Drawing Title: 3-WAY PSS FOUNDATION	UGVCL, MEHSANA
			Sheet No.:	
			Scale:	
			Date:	

Foundation Drawing of PSS suitable for 4-Way

PRODUCED BY AN AUTODESK EDUCATIONAL PRODUCT

PRODUCED BY AN AUTODESK EDUCATIONAL PRODUCT

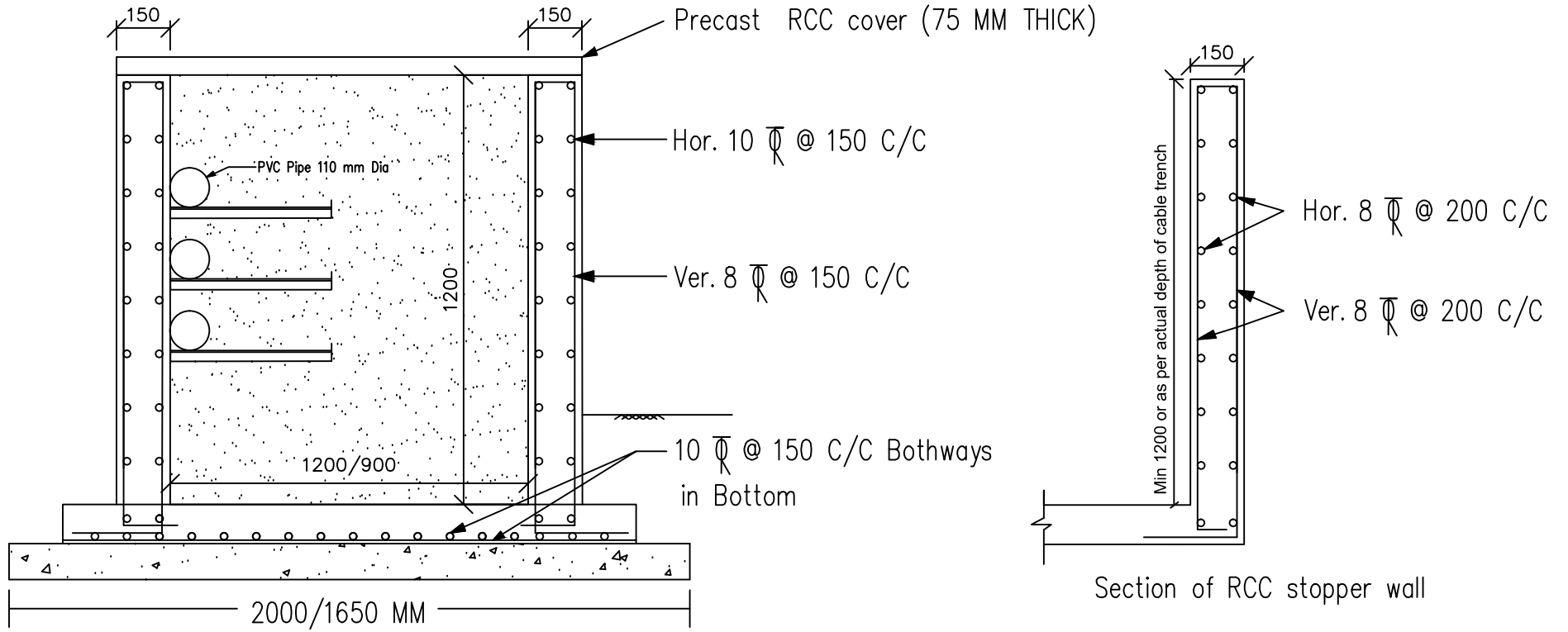


- Note : 1) Steps are to be provided on one side only.
 2) Drawing prepared as per data of PSS and its foundation received from Project cell

Proposed PSS (4-Way) foundation with R.C.C. wall

Approved By:	Approved By:	Project Title:	Drawing Title:	Client:
		UNDERGROUNDING OF HT/LT NETWORK AT MSME PARK-MANDAL	4-WAY PSS FOUNDATION	UGVCL, MEHSANA
			Sheet No.:	Sheet:
			Scale:	
			Date:	Date:

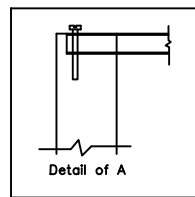
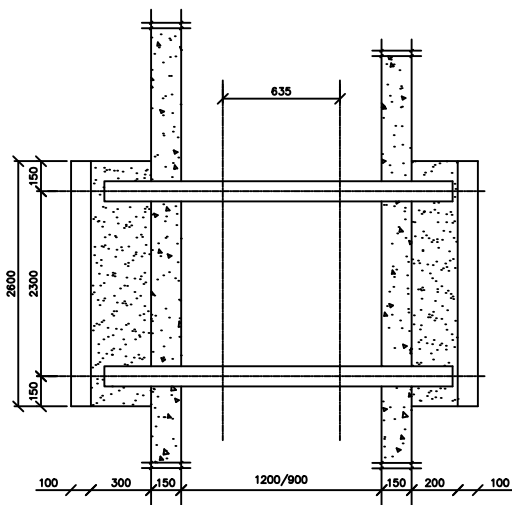
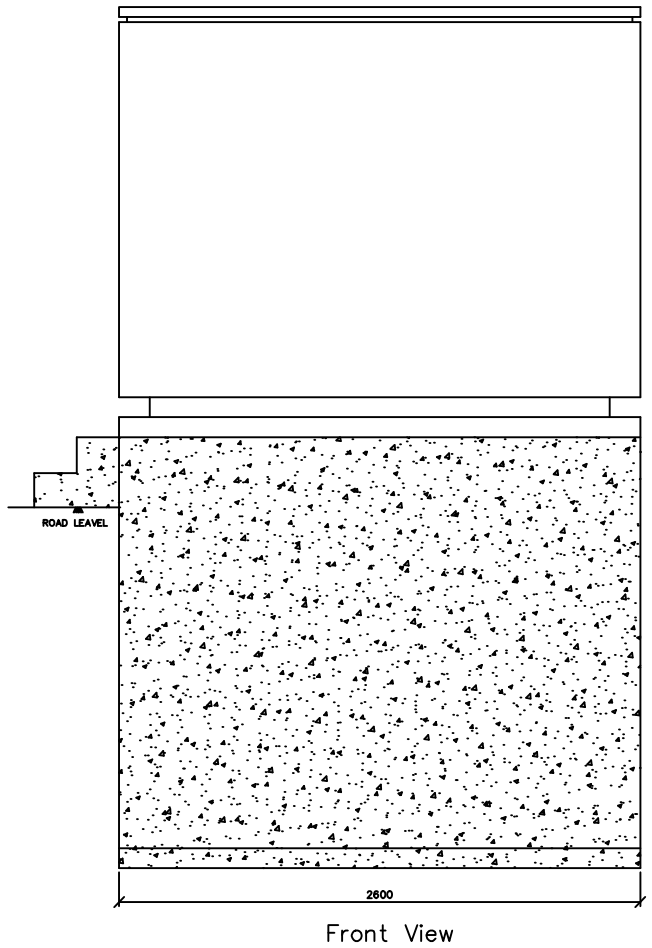
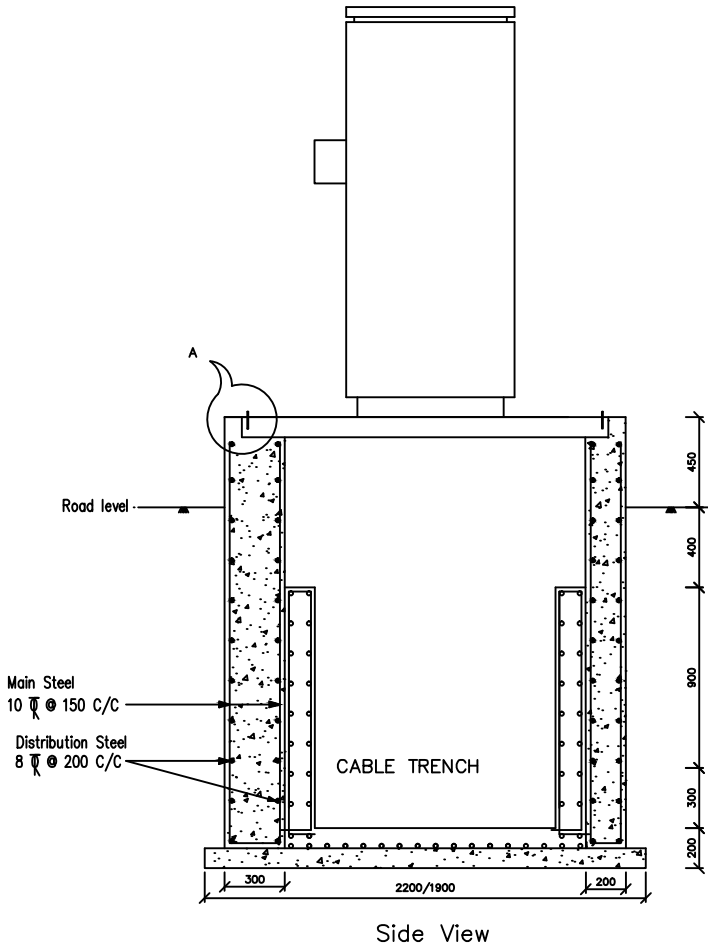
PRODUCED BY AN AUTODESK EDUCATIONAL PRODUCT



PRODUCED BY AN AUTODESK EDUCATIONAL PRODUCT

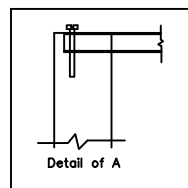
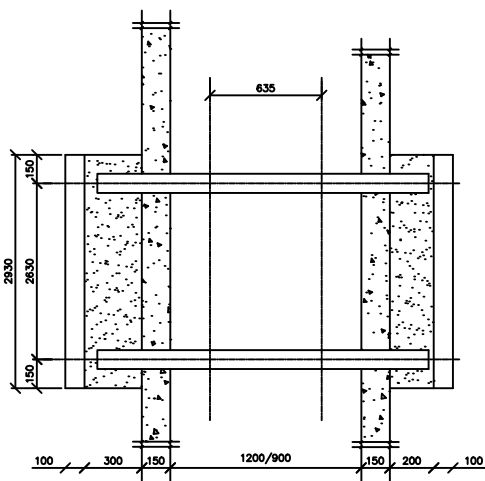
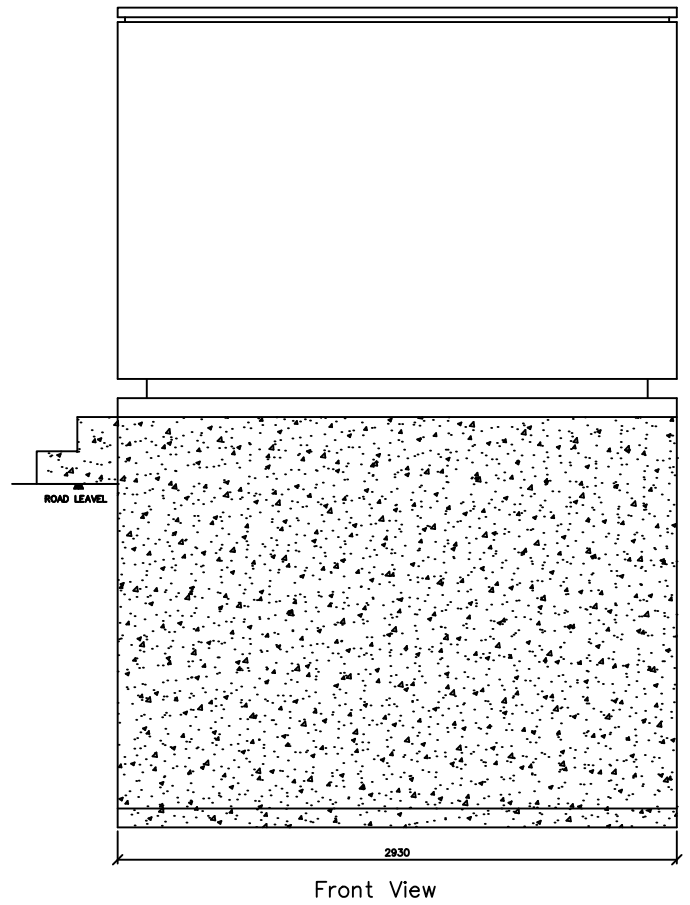
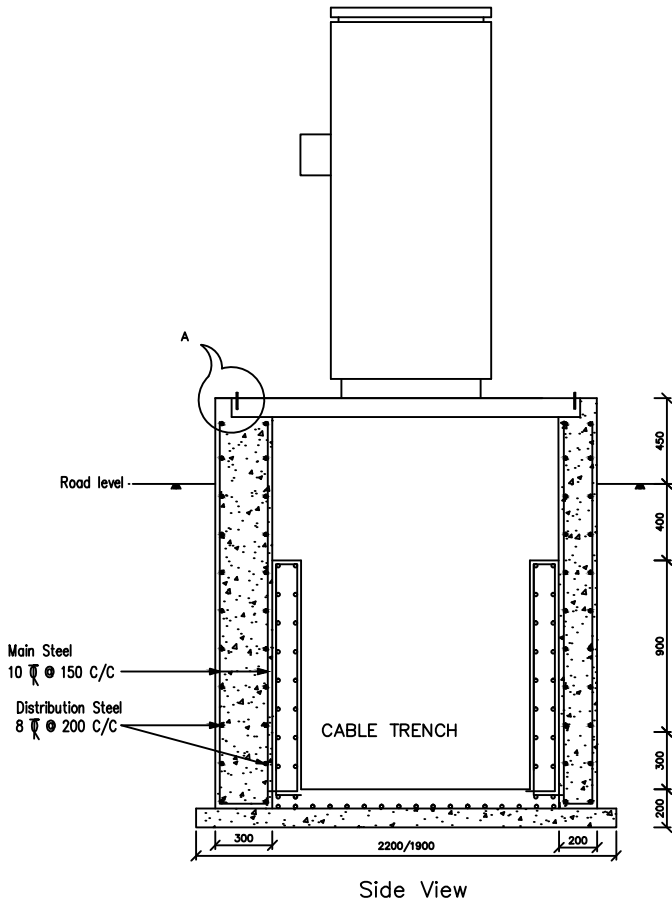
DRAWING OF R.C.C. STOPPER WALL AT END OF CABLE TRENCH

UTTAR GUJARAT VIJ CO LTD R&C OFFICE, MEHSANA				
Details of R.C.C. stopper wall at end of cable trench for U/G power distribution network at MSME Park - Mandal				
Drawing traced from GETCO drawing no. 4S-162/CBLT-018 and GETCO/C/48-001/P-03 and prepared by Civil section				
DRAWN:	CHECKED:	APPD:	SIZE: A4	
SCALE: Not to Scale	DATE:	DRG. NO: UGVCL/R&D-PP/TRENCH/002		



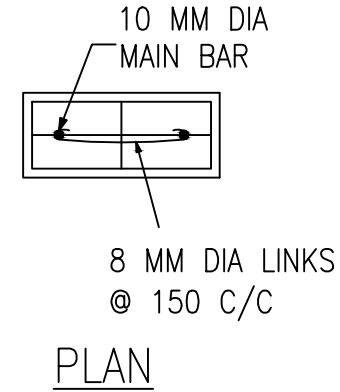
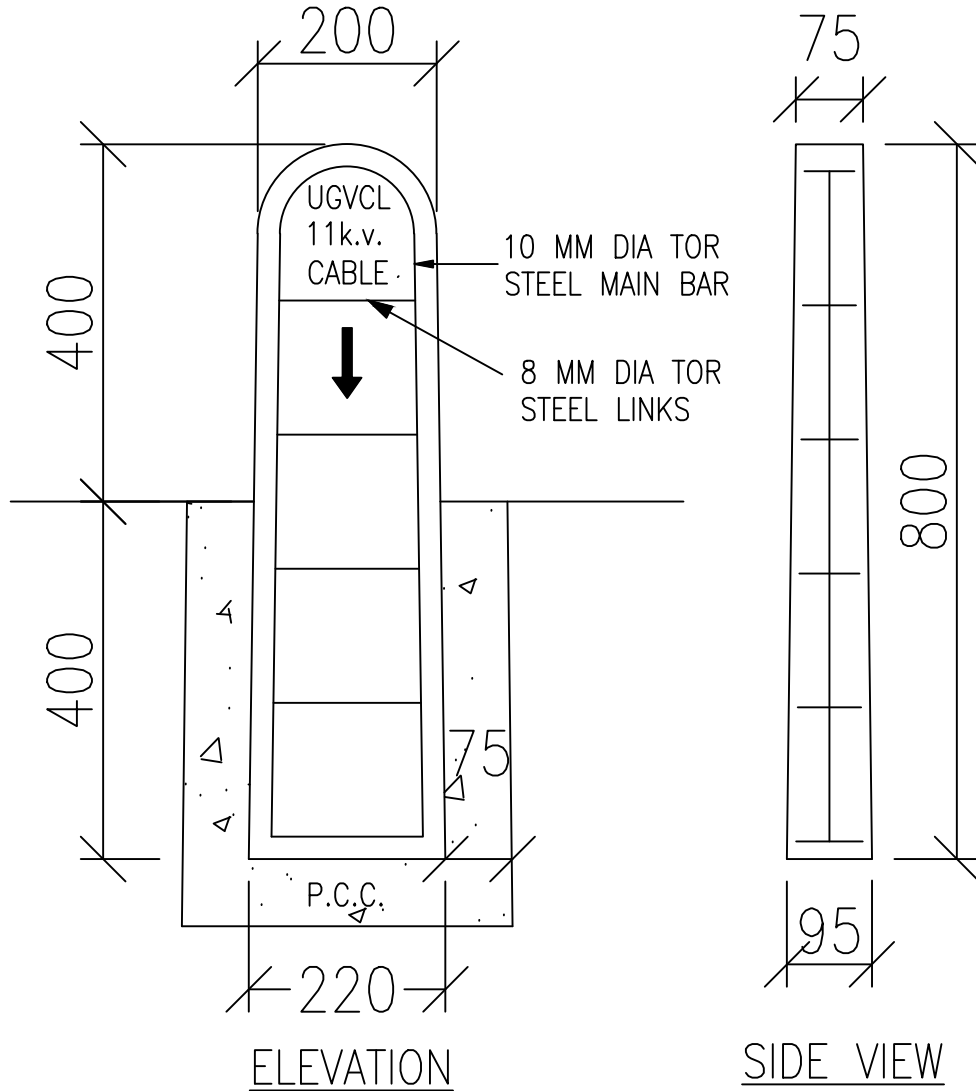
Drawing of RMU mounting plinth on trench
(For 3-Way RMU)
At MSME Park-Mandal

UTTAR GUJARAT VIJ COMPANY LIMITED
RMU MOUNTING PLINTH ON TRENCH
DRAWING NO. : UGVCL/R&D-PP/3 WAY RMU (R1)
DRG. PREPARED BY CIVIL SECTION
DRAWN BY :
CHECKED BY :
APPROVED BY :



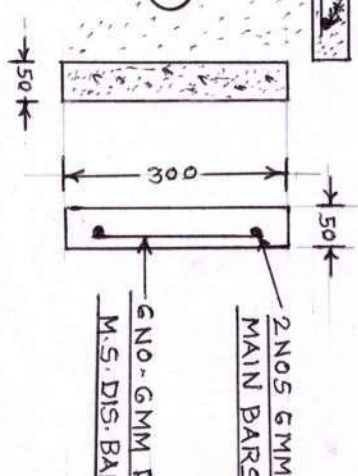
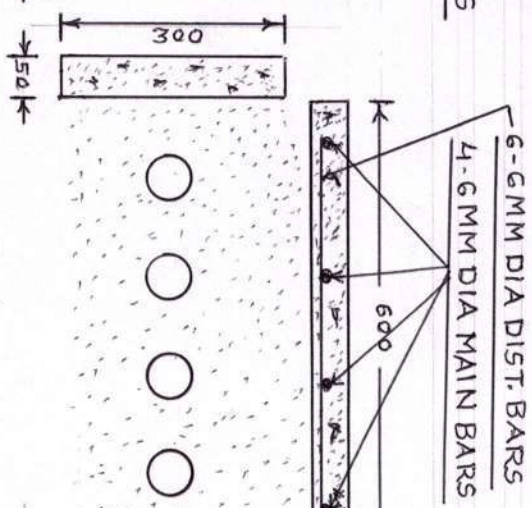
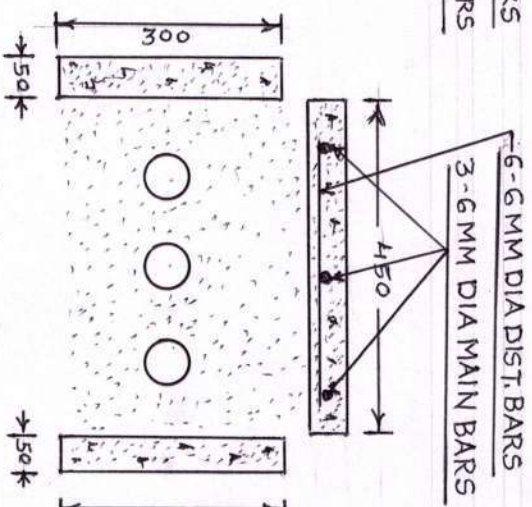
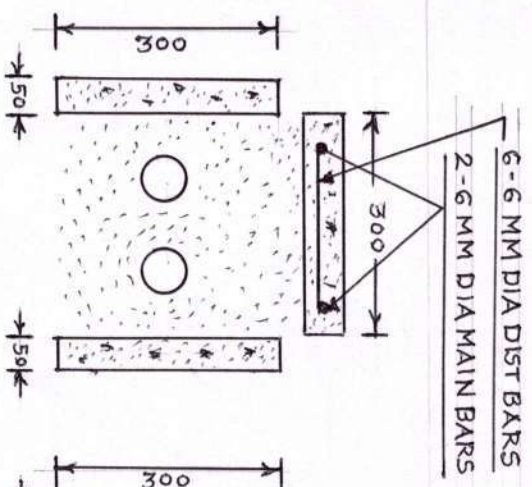
Drawing of RMU mounting plinth on trench
(For 4-Way RMU)
At MSME Park-Mandal

UTTAR GUJARAT VIJ COMPANY LIMITED
RMU MOUNTING PLINTH ON TRENCH
DRAWING NO. : UGVCL/R&D-PP/4 WAY RMU (R1)
DRG. PREPARED BY CIVIL SECTION
DRAWN BY :
CHECKED BY :
APPROVED BY :



DETAILS OF PRECAST R.C.C. BLOCK CABLE ROUTE MARKER FOR MSME PARK-MANDAL

UTTAR GUJARAT VIJ COMPANY LIMITE
PRECAST RCC BLOCK CABLE ROUTE MARKER
DRAWING NO. : UGVCL/R&D-PP/RM/001
DRG. PREPARED BY CIVIL SECTION
DRAWN BY :
CHECKED BY :
APPROVED BY :



'A' TYPE

'B' TYPE

'C' TYPE

TYPICAL REINFOR

MENT DETAILS FOR

VERTICAL PRECA

BLOCK

LENGTH OF EACH BLOCK - 1000MM.

UTAR GUJARAT VID COMPANY LIM
PRE CAST CABLE TRENCH.

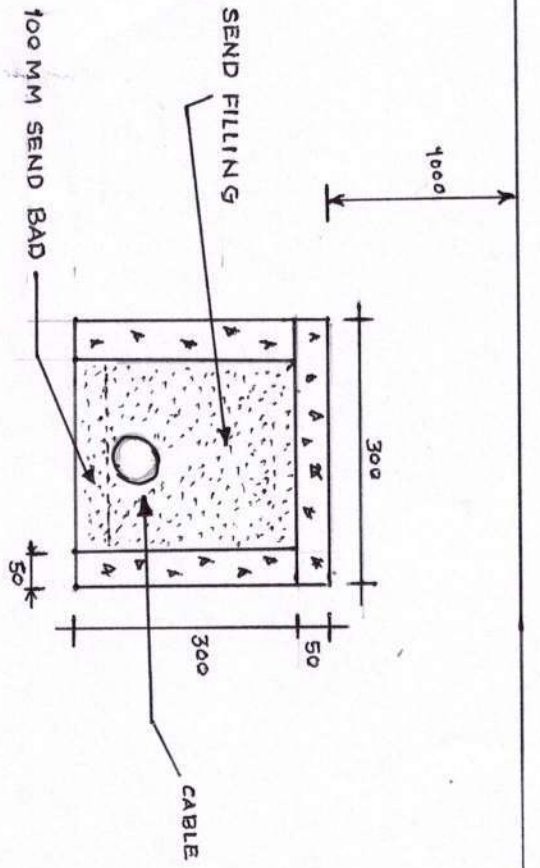
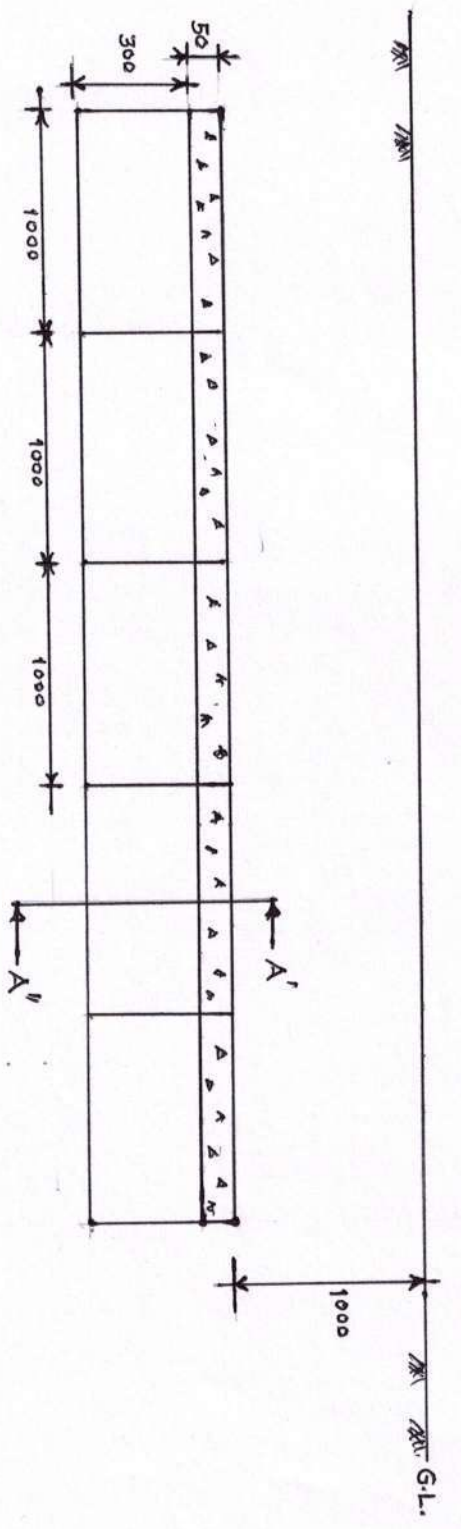
DRG NO: UGVCCLRED-PP/PCC T/001

CHECKED BY:

APPROVED BY:

DRAWN BY: A-S

R. Bipat
Engineer
UGVCL, R&C Off.
Mehsana.



DRG NO. UGVCL/RED-PP/PCT
 MINI PRE CAST CABLE TRENCH

DRN BY	A.S.JANI	UGVCL R.O.
CHD BY		MEHSANA
APPROV BY	<i>[Signature]</i>	<i>[Signature]</i>
E.E.	Executive Engineer	Director

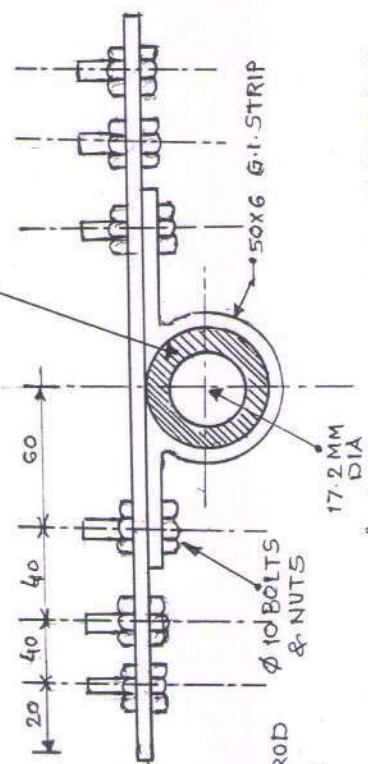
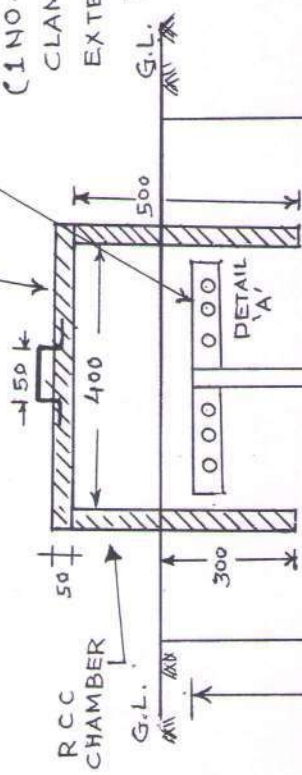
UGVCL, R&C Office
 Mehsana.

RCC CHAMBA PANEL

50 X 6 MM G.I. STRIP CLAMP WITH 3 NOS. 12 X 25 BOLTS & NUTS ON BOTH SIDE.

(1 NO. ON BOTH SIDE FOR CLAMPING & 2 NOS FOR EXTERNAL CONNECTION BY USING 50 X 6 MM. G.I. STRIP.

AFTER FIXING SURFACE SHOULD COVERED WITH BITUMIN OR GREASE



DETAIL "A" FOR CU-BONDED EARTH ROD FOR PIPE Electrode it may be different

COPPER BONDED EARTH ROD (17.2 MM X 3 MTR) OR PIPE ELECTRODE.

GROUND ENHANCING MATERIAL

100MM X 3MTR. BORE

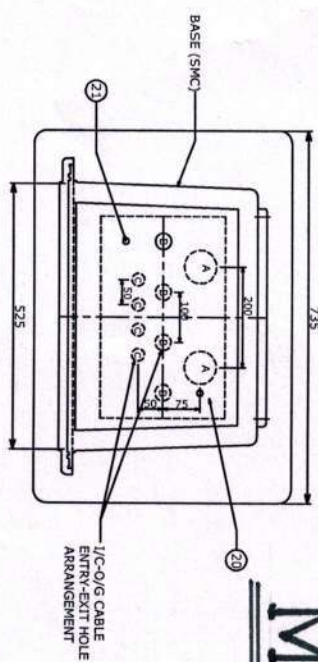
EXISTING NORMA SOIL

Earth Pit Installation Procedure for Normal Soil for Cu-bonded Earth Rod. (Dia of pipe hole for other cases may be different.)

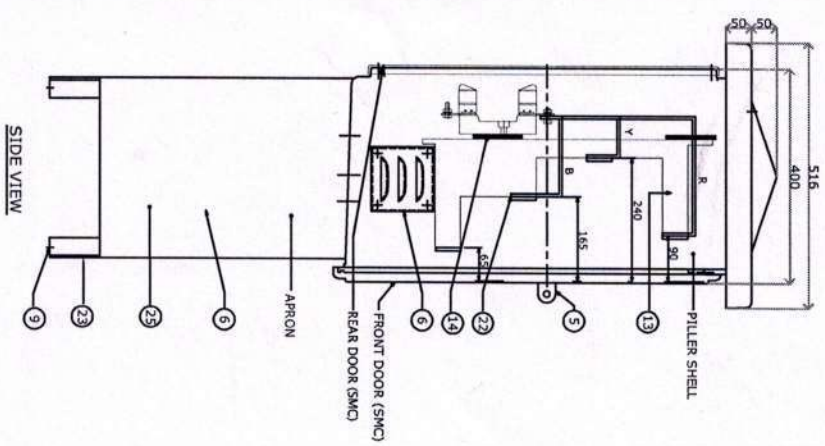
1. Auger a 100 mm dia hole to depth upto 2850 mm.
2. Drop the earth rod down the hole with lower end centered and driven in 150 mm.
3. Fill the hole using ground Enhancement Material around the rod.
4. Allow it to dry to enable to compound to set before fixing clamp & connections.

UTTAR GUJRAT VIJ CO. LTD	
CARBON EARTHING	
DRG. NO. UGVCL/R&D-PP/EARTHING/001	
CHECKED BY	
APPROVED BY	<i>[Signature]</i>
DRAWN BY	A.S. JANI . JR. D MAN

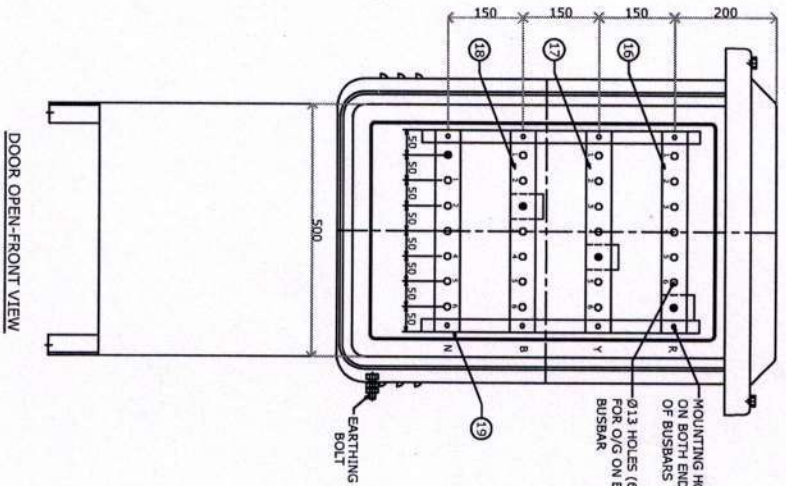
DETAILS OF I/C-O/G CABLE ENTRY-EXIT HOLE ARRANGEMENT
 A=065, 2 NOS. @200 C/C
 B= 032, 4 NOS. @100 C/C
 C=025, 4 NOS. @50 C/C



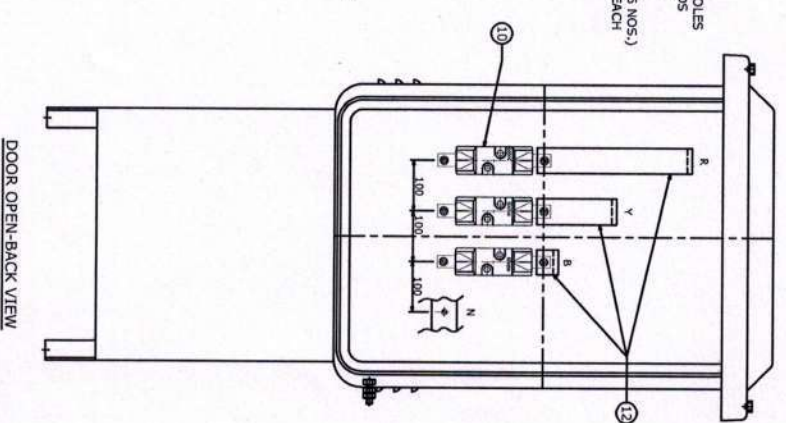
TOP VIEW



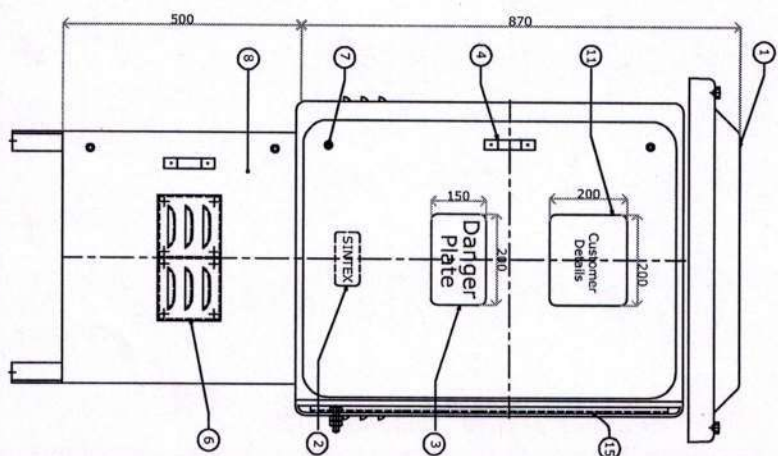
SIDE VIEW



DOOR OPEN-FRONT VIEW



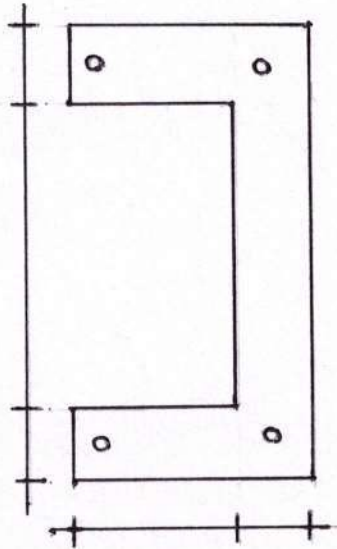
DOOR OPEN-BACK VIEW



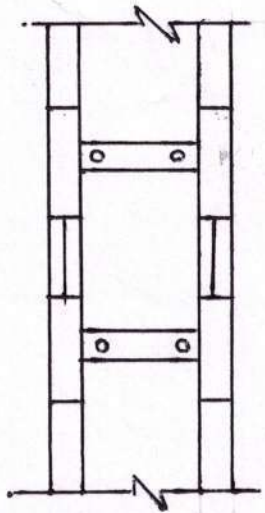
FRONT VIEW

- NOTES :-**
- (1) ALL BOLTS, NUTS TO BE PROVIDED WITH PLAIN WASHER OF SUITABLE SIZE.
 - (2) PILLAR SHELL SHALL BE MOULDED OF SMC & APRON FRAME WORK SHALL BE FABRICATED USING FRP PULTRUDED SECTIONS & SMC SHEET.
 - (3) COLOUR OF PILLER BOX SHALL BE GREY & THAT OF APRON SHALL BE BLACK.
 - (4) CLEARANCES :- BETWEEN BUS BARS - 85 mm (MIN.)
 BETWEEN BUS BAR & ENCLOSURE WALL - 50 mm (MIN.)

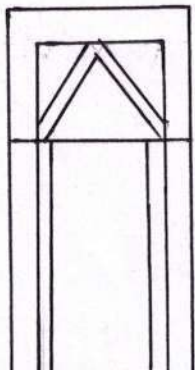
UTTAR GUJARAT VIJ COMPANY LTD
 MINI SECTION PILLER
 DRG.NO.UGVCL/R&D-PP/MSP-001
 CHECKED BY
 APPROVED BY
 DRAWN BY
 A. S. JAIN
 R. B. Patil
 SR. DESIGNER



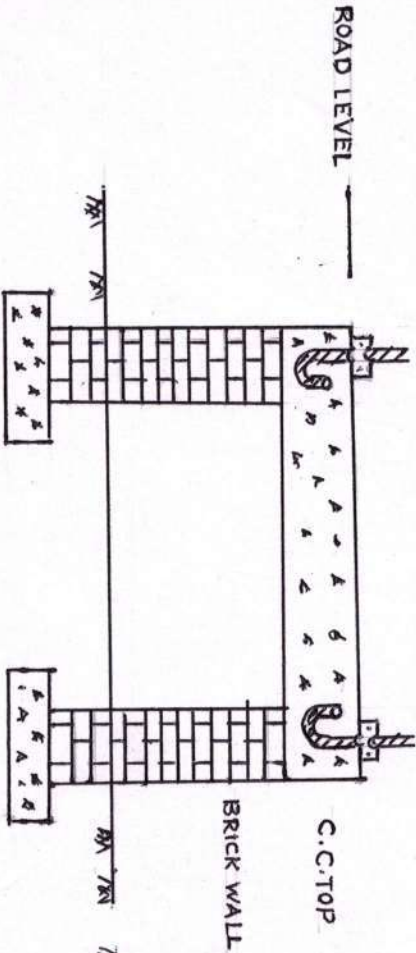
TOP VIEW



TOP VIEW

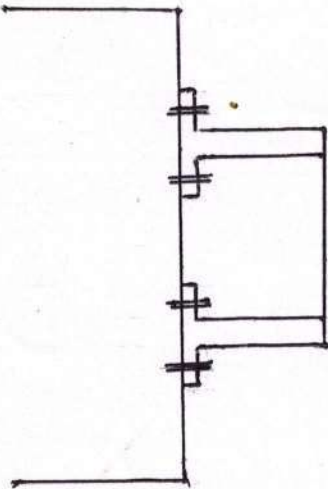


SIDE VIEW



FRONT VIEW

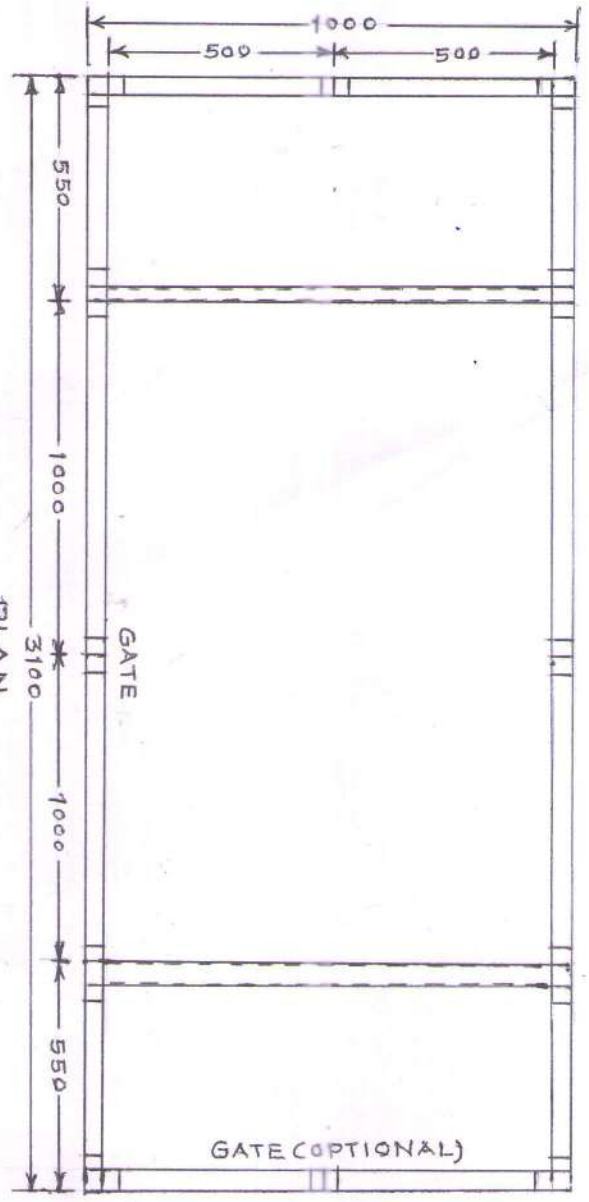
M S P INSTOLATION OF GROUND



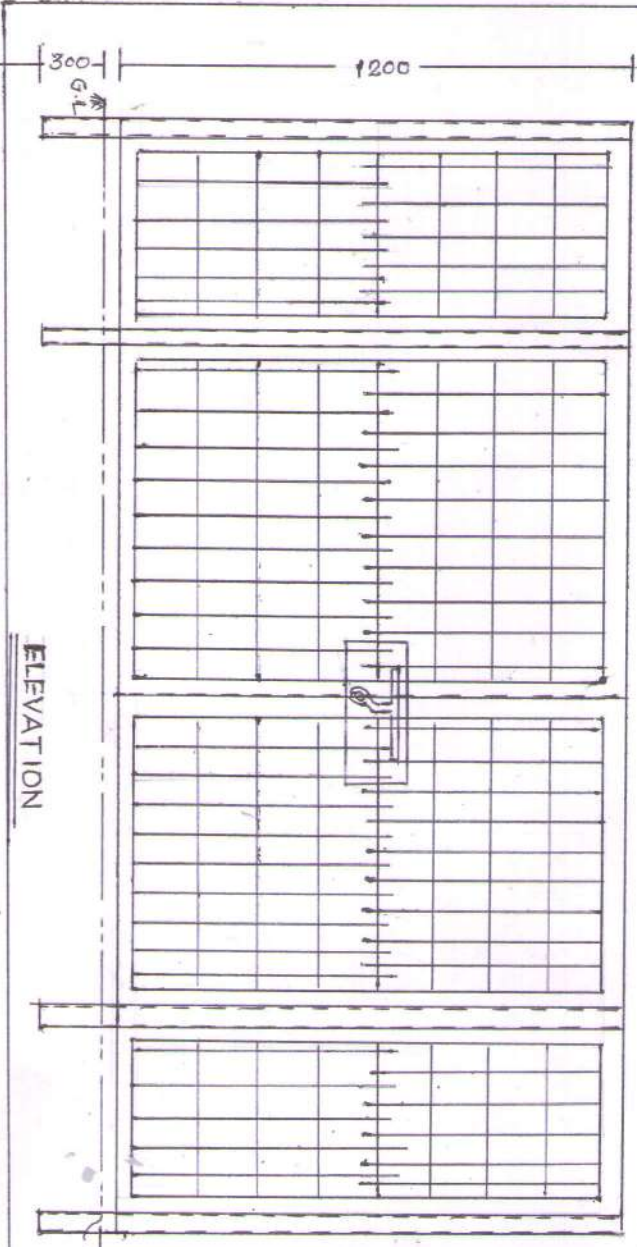
FRONT VIEW

M.S.P. INSTOLATION OF TRENCH

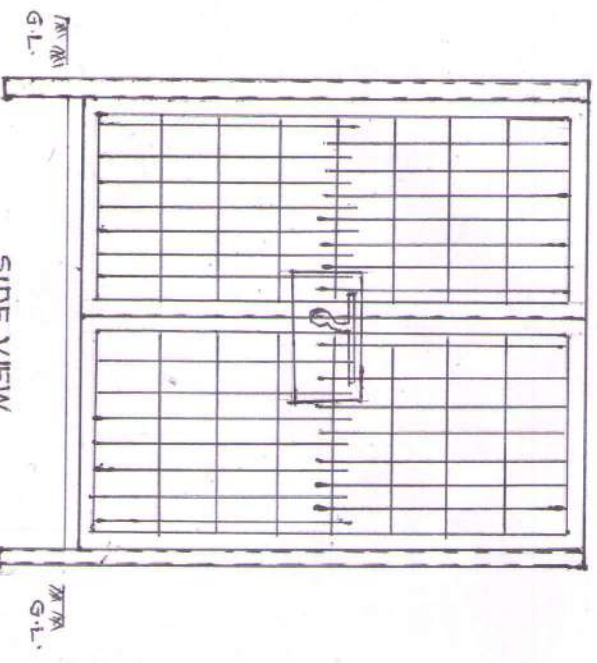
M S P PLINTH	
UGVCL RD-PP/MSP PLINTH/002	
DRN BY	A.S.JANI
CHD BY	
APPROV BY	
M.S.P. INSTOLATION OF TRENCH	
DRN BY	MEHSANA
CHD BY	
APPROV BY	
UGVCL, R.O. Office, Mehsana.	



PLAN



ELEVATION



SIDE VIEW

UGVCL R&DPP/FEW/CINK/ERP/001

FRP FENCING SYSTEM FOR DTS

DRN BY	A. STANI	UGVCL R.O.
CHE BY		OPFI, MEHSANA
APPROV/BY	<i>[Signature]</i>	DRG. NO.
E/E		DT. 12.14

R. B. Patel
 Executive Engineer (R&D)
 UGVCL, R&C Office,
 Mehsana.