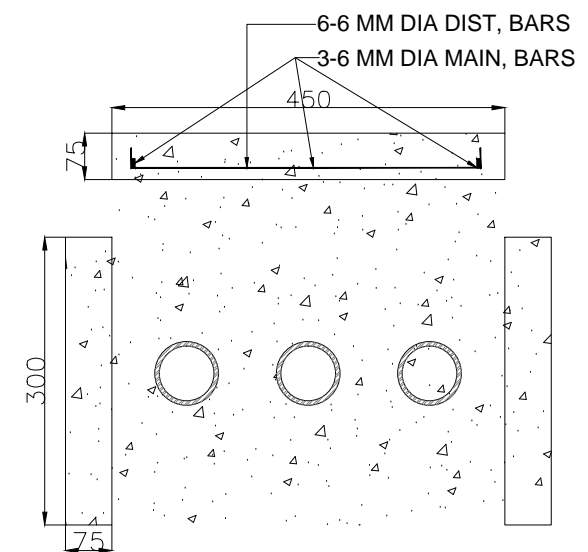
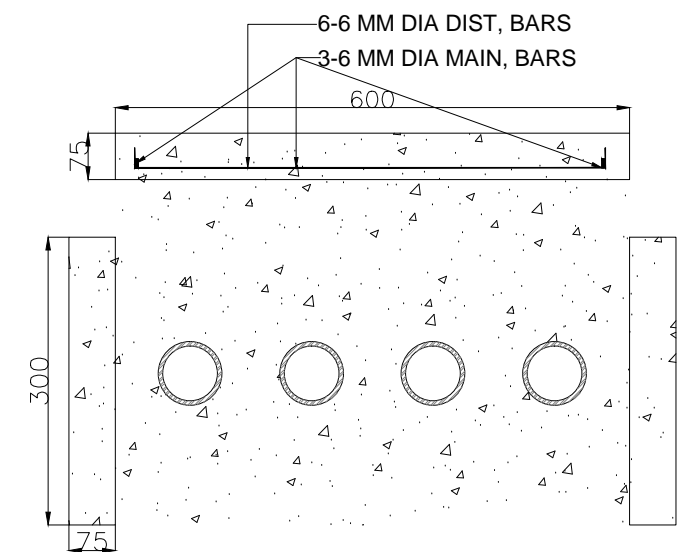


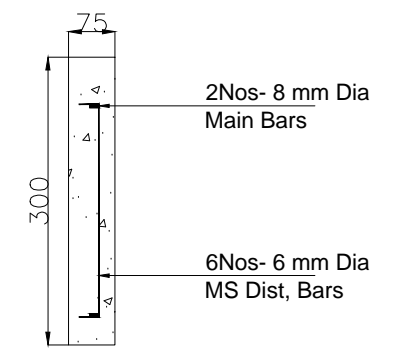
'A' TYPE



'B' TYPE



'C' TYPE



NOTE: -

QUALITY ASSURANCE

The responsibility of control, check and verification of accuracy, correctness, completeness, integration and full compliance of contract provisions in respect of design analysis and drawings rests with the design consultants and the contractor.

By Designer

Sing: <i>Dev</i>	Sing: <i>Minh</i>	Sing: <i>S.Bhattacharya</i>	Sing: <i>V.K. Dhawan</i>
Date: 17-04-2018	Date: 17-04-2018	Date: 17-04-2018	Date: 17-04-2018
Name: Dev Negl	Name: Gajendra Singh	Name: S.Bhattacharya	Name: V.K. Dhawan
Drawn By	Originator	Checker	Approved By

TECHNICAL CONSULTANTS



VOYANTS SOLUTIONS PVT. LTD.

403, Fourth Floor, BPTP Park Centra,  
Sector-30, NH-8, Gurugram-122001  
Ph : 0124-4598200, Fax : 0124-4019051  
Email- info@voyants.in; www.voyants.in

CLIENT

GUJARAT URJA VIKAS NIGAM  
LIMITED, GUJARAT (GUVNL)

This document should not be relied on or used in circumstances other than those for which it was originally prepared and for which Voyants Solutions Pvt. Ltd. was commissioned. Voyants Solutions Pvt. Ltd. accepts no responsibility for this document to any other party other than the person by whom it was commissioned.

PROJECT  
CONSULTANCY WORK FOR CONVERSION OF EXISTING 22k, 11kV & LT OVERHEAD LINES INTO UNDER GROUND CABLE LINES IN THE DISTRIBUTION SYSTEM INCLUDING SERVICE MAINS TO CONSUMERS, PROTECTION, FEEDER PILLARS & ASSOCIATED TERMINATIONS INCLUDING ANY OTHER ITEMS NECESSARY FOR COMPLETION OF ENTIRE WORK ON TURNKEY BASIS IN THE AGARTALA CITY

DRAWING TITLE

TYPICAL DRAWING FOR VERTICAL  
PRECAST RCC BLOCK

DRAWING NUMBER

VSPL/GUVNL/TENDER/EL/TYP/04(C)

Issue Record	For Reference only
FOR TENDER	
DETAILED ENGINEERING	
REFERENCE ONLY	✓
REV 02	PAPER SIZE A3