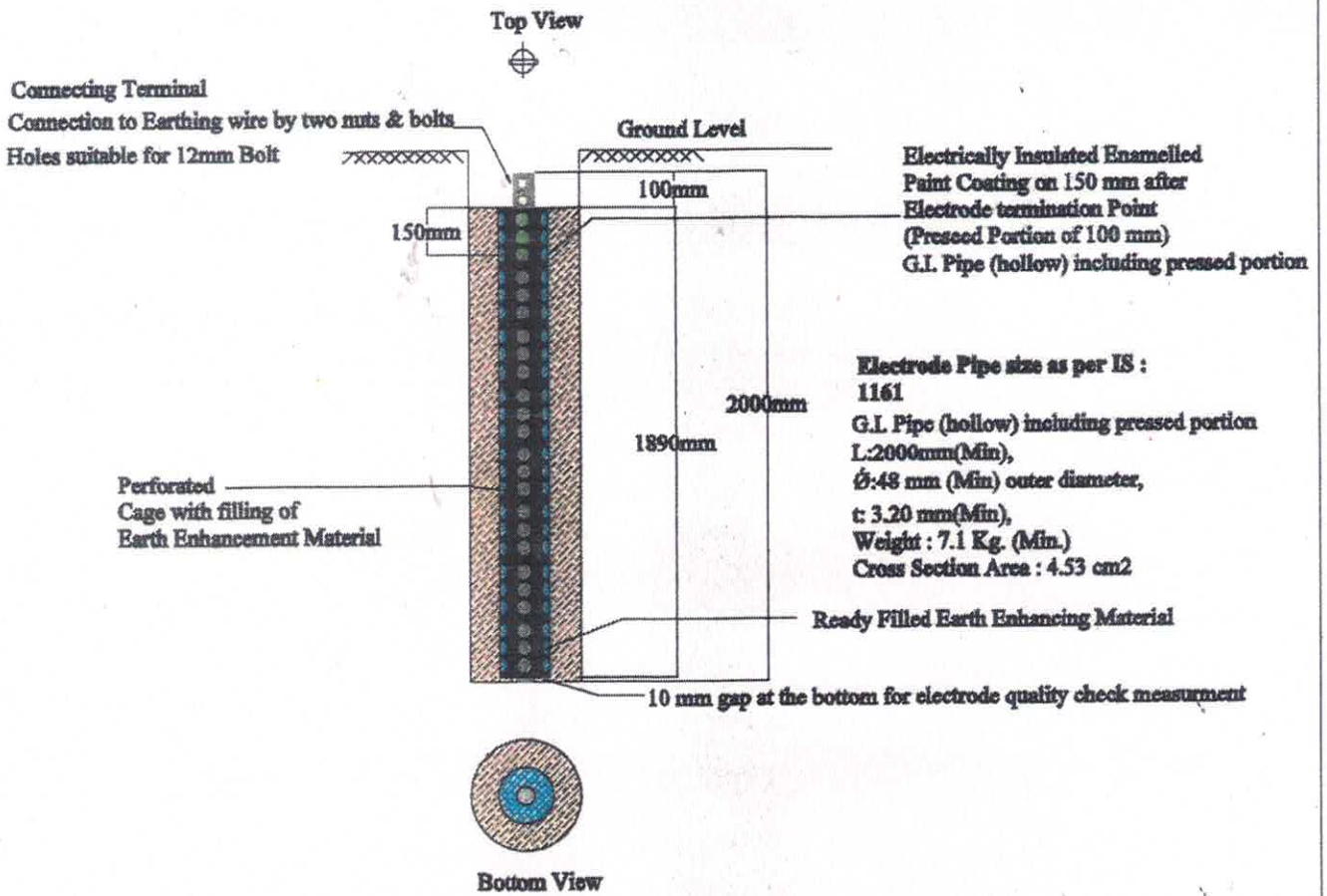
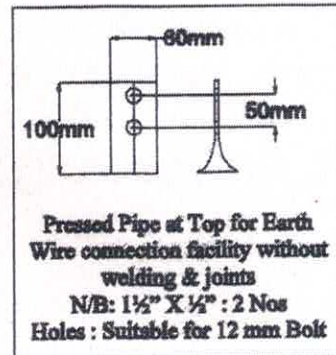


Drawing No.: GPRD-16

Maintenance Free, Eco-Friendly Ready Capsule - Pipe in Cage type 2000 mm Earthing



	MAIN ELECTRODE	PERFORATED Cage with Backfilling
DIA.	48mm	150mm
LENGTH	2000mm	1890mm



Gujarat Power Research & Development Cell, GUVNL, Gandhinagar

Project : Maintenance Free, Eco-Friendly Ready Capsule - Pipe in Cage type 2000 mm Earthing

Prepared By: H.M.Sekariya, JE (R&D)

Date : 14/06/2018

Checked By: D.R.Shah, DE (R&D)

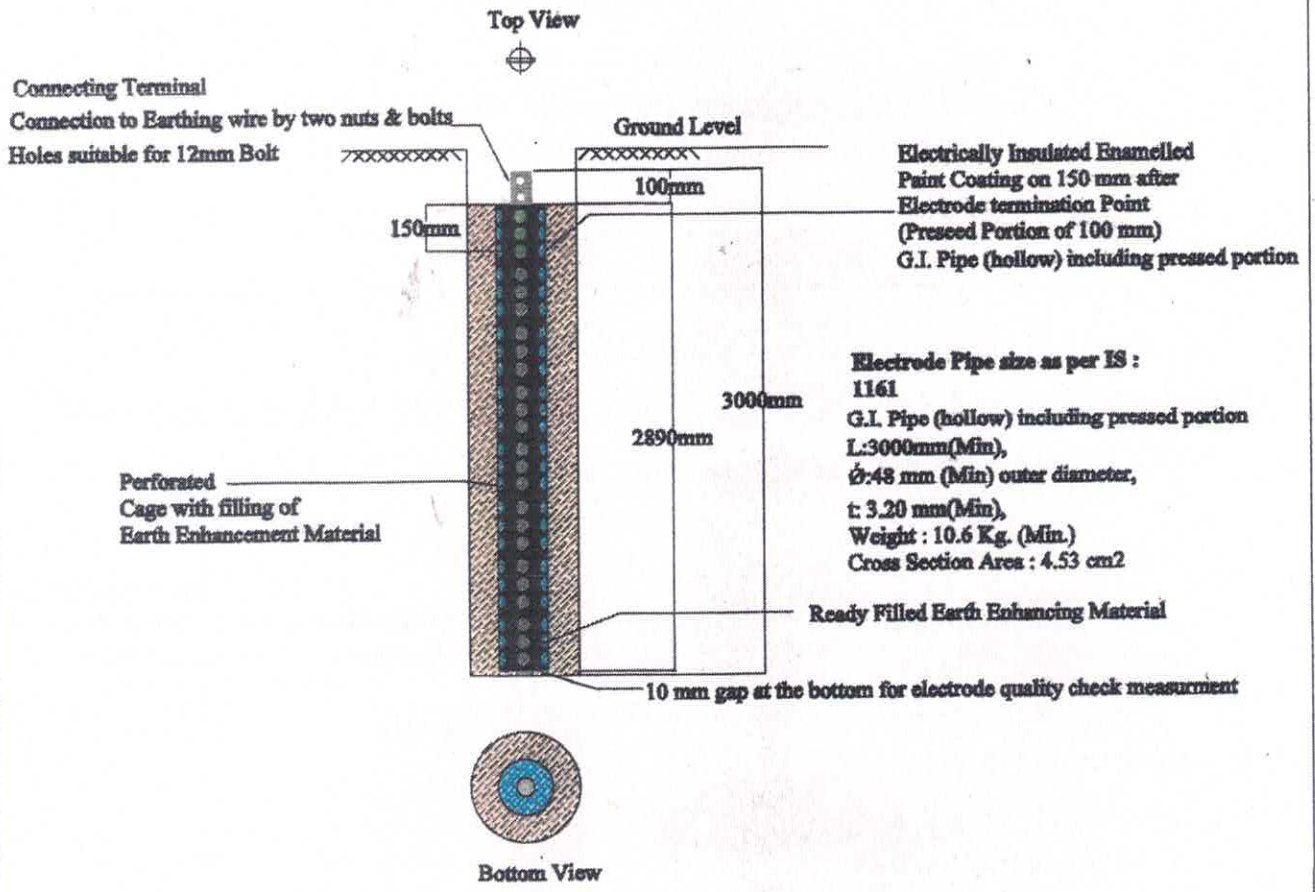
Revision : 0

Approved By: R.B.Patel, SE (R&D)

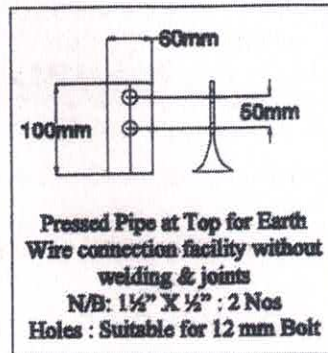
Scale: N.T.S.

Drawing No.: GPRD-17

Maintenance Free, Eco-Friendly Ready Capsule - Pipe in Cage type 3000 mm Earthing



	MAIN ELECTRODE	PERFORATED Cage with Backfilling
DIA.	48mm	150mm
LENGTH	3000mm	2890mm



	Gujarat Power Research & Development Cell, GUVNL, Gandhinagar		
	Project : Maintenance Free, Eco-Friendly Ready Capsule - Pipe in Cage type 2000 mm Earthing		
	Prepared By :	ELM.Sekariya, JE (R&D)	Date : 14/06/2018
	Checked By :	D.R.Shah, DE (R&D)	Revision : 0
Approved By :	R.B.Patel, SE (R&D)	Scale : N.T.S.	