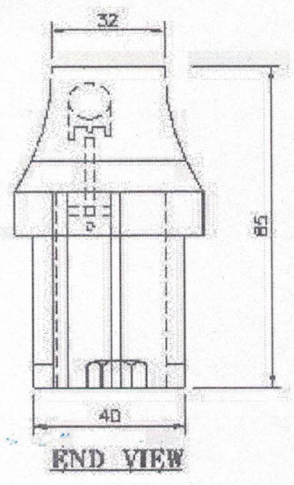
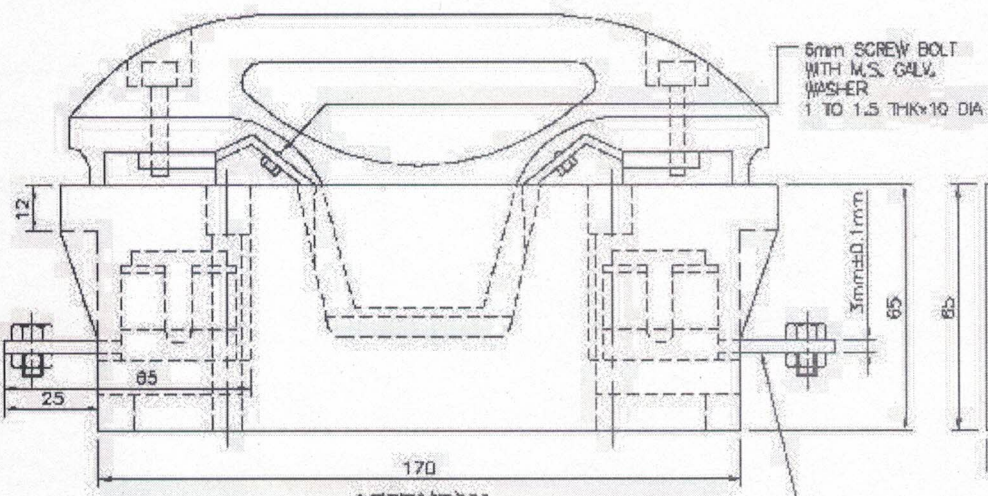


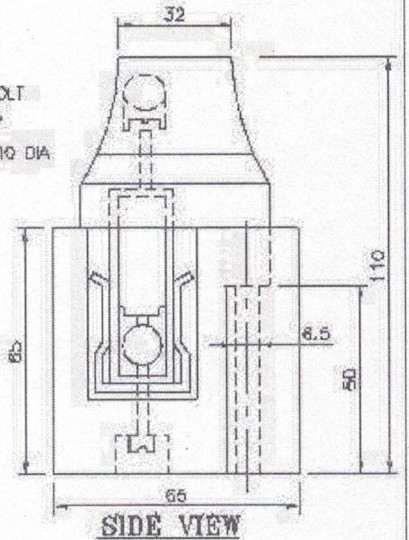
**CARRIER**



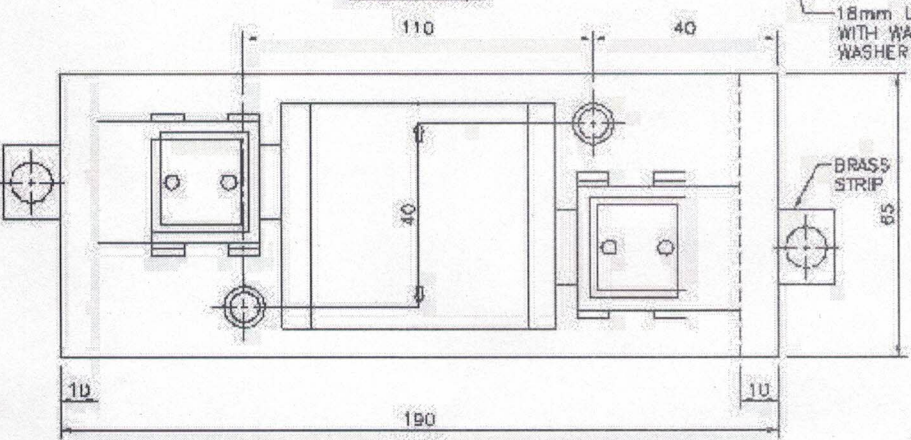
**END VIEW**



**ASSEMBLY**



**SIDE VIEW**



**PLAN (BASE)**

- Notes:**
- 1) GENERAL TOLERANCE  $\pm 5\%$  ON LENGTH, WIDTH AND HEIGHT.
  - 2) CENTER DISTANCE BETWEEN HOLES UPTO 30mm  $\pm 1$ mm, ABOVE 50mm  $\pm 2$ mm.
  - 3) WALL THICKNESS UPTO 10mm  $\pm 1$ mm, ABOVE 10mm  $\pm 1.5$ mm.
  - 4) TOLERANCE  $\pm 5\%$  IN CERAMIC BODY.
  - 5) ALL CURRENT CARRYING PARTS SHOULD BE TINNED PLATED.
  - 6) ALL DIMENSIONS ARE IN mm.
  - 7) WORD 'XXVCL BRAND' SHALL BE EMBOSSED BOTH ON FUSE CARRIER & BASE.

**DISCOM - UTTAR GUJARAT VJ COMPANY LIMITED**

**Drawing: TITEL 100AMP Kintort FUSE, 415V**

**Drawing No: DISCOM / FUSE / REVISION 100 AMP**