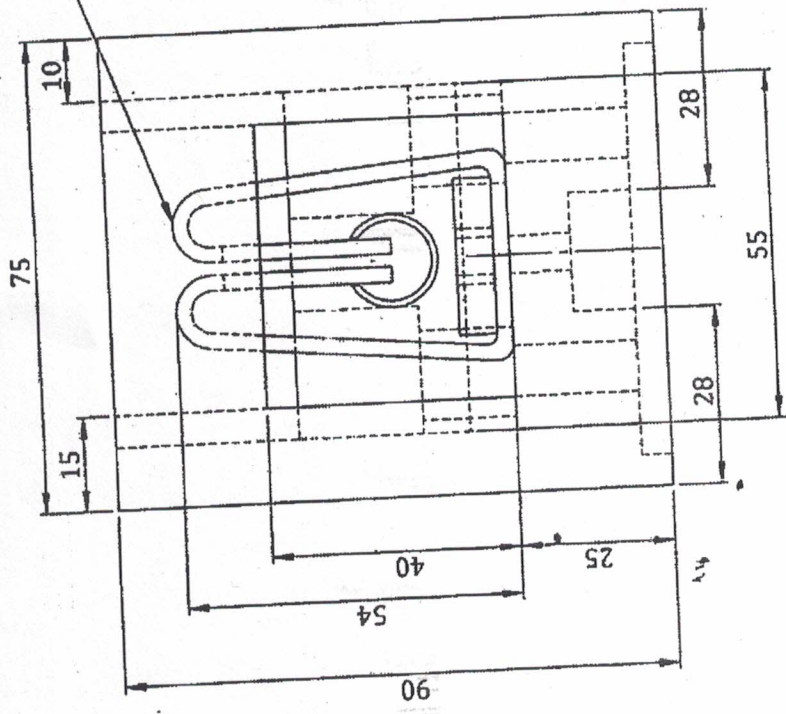


PART-Y



SIDE VIEW

- NOTE:-
1. WORD 'PGVCL' AND TRADE MARK OF SUPPLIER SHALL BE EMBOSSED BOTH ON FUSE CARRIER AND BASE
 2. GENERAL TOLERANCE $\pm 5\%$ ON LENGTH, WIDTH AND HEIGHT OF THE BODY
 3. CENTRE DISTANCE BETWEEN HOLES OF METAL PARTS
UP TO 50 mm - ± 1 mm
ABOVE 50 mm - ± 2 mm
 4. WALL THICKNESS
UP TO 10 mm - ± 1 mm
ABOVE 10 mm - ± 1.5 mm
 5. TOLERANCE $\pm 5\%$ IN CERAMIC PARTS
 6. ALL DIMENSIONS ARE IN mm

Addl. Chief Engineer (Project)
PGVCL, Corp. Office
Rajkot

DISCOM Name: ~~UTTAR~~ GUJARAT VIJ COMPANY LIMITED

GENERAL ARRANGEMENT AND COMPONENTS DRG.
FOR 200Amp., 415 VOLTS KIT-KAT FUSE

DRG. NO.: JGVCL/KIT-KAT/200A/13

SHEET 3 OF 9