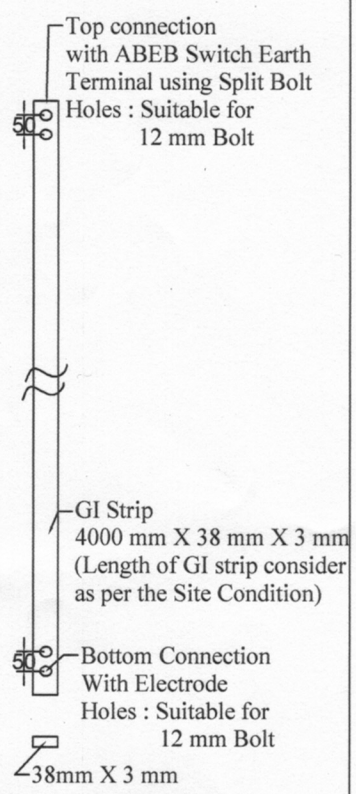


Drawing No.: GPRD-13

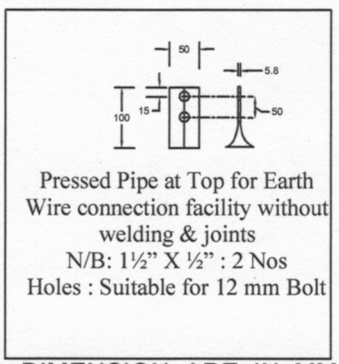
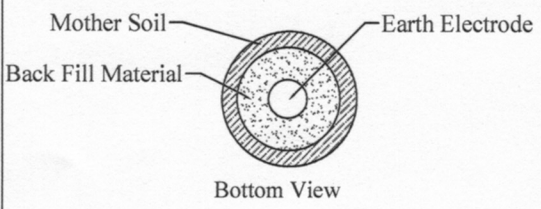
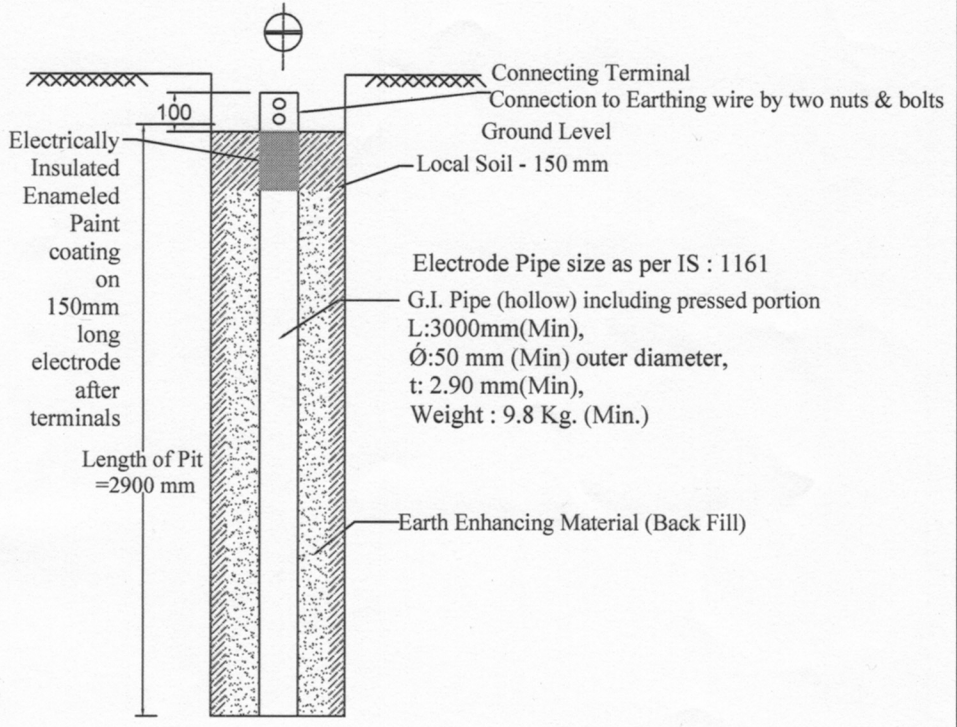
Maintenance Free Earthing for ABEB Switch Using GI Strip(38 X 3)

GI Strip



Note : Other Items
 1) 2 No.s Of Split Bolt & Nut (12 mm) with 2 plain washers for Top Side Connection of GI Strip with earth terminal of ABEB.
 2) 2 No.s Of Bolt & Nut (12 mm) with 2 plain washers for bottom Side Connection of GI Strip with electrode

Electrode



ALL DIMENSION ARE IN MM



Gujarat Power Research & Development Cell, GUVNL, Gandhinagar		
Project : Maintenance Free Earthing For ABEB Switch Using GI Strip		
Prepared by	J H Borisagar, JE (R&D)	Scale : N.T.S.
Checked By :	A R Vakhariya, EE (R&D)	Revision : 0
Approved By :	R B Patel, SE (R&D)	

(Handwritten signature and date)
 12/1/16