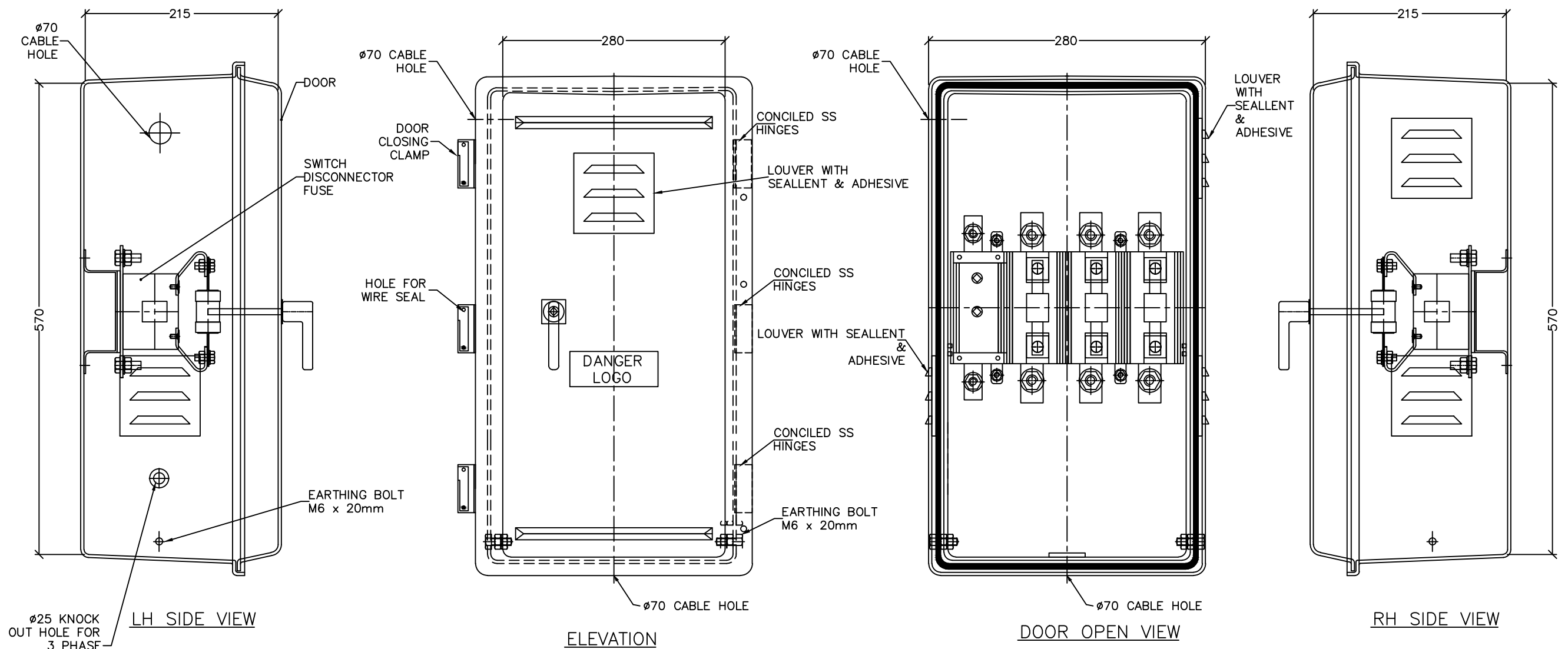


NOTES :-

- (1) MADE OUT OF (THERMOSETTING PLASTIC) SHEET MOULDING COMPOUND BY THE PROCESS OF HOT PRESS COMPRESSION MOULDING CONFIRMING TO IS : 13410
- (2) SMC BASE OR DOOR SHALL NOT SOFTEN OR BEND ON HEATING.
- (3) DOOR FITTED TO BASE BY CONCEILED SS HINGES.
- (4) DIMENSIONS :
INSIDE :- H=570mm, W=280mm, D=215mm.
THICKNESS OF SMC = 2mm (MINIMUM)
- (5) COLOUR :- OFF WHITE / GRAY



TITLE : LT DISTRIBUTION BOX (200AMP.)				MATERIAL :			
				S.A. (M ²) :			
				WEIGHT (Kg.) :			
	CLASS. NO.	SCALE	DRAWN				
	E/II/1	-	CHECKED				
			APPROVED				
UNLESS AND OTHERWISE SPECIFIED ALL DIMENSION ARE IN MM.			TOLERANCE		Uttar Gujarat Vij Company Ltd Corporate Office, Visnagar Road, Mehsana		