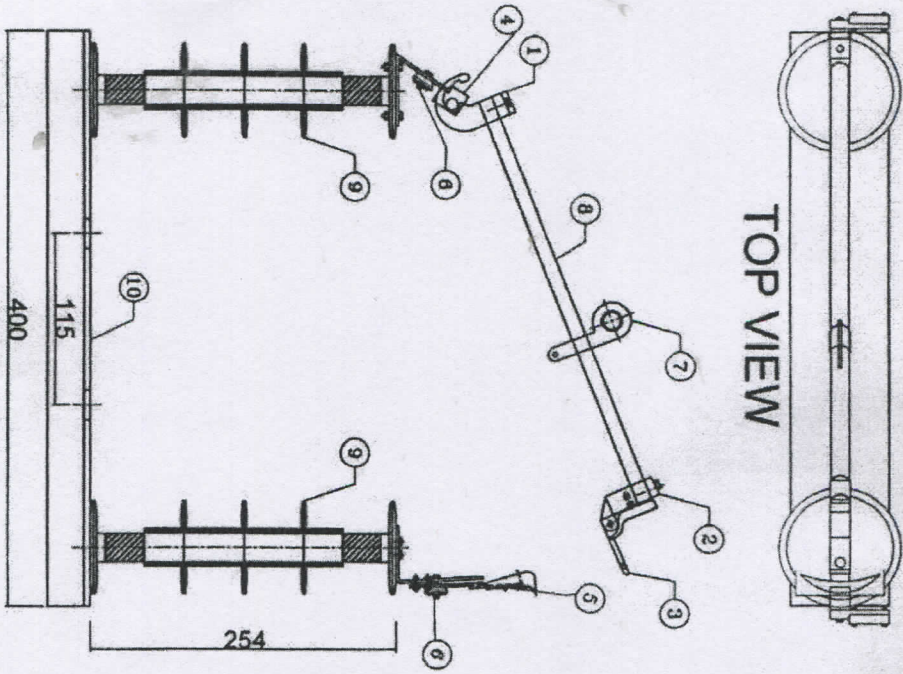
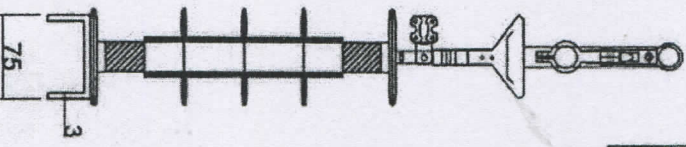


TOP VIEW



ELEVATION



SIDE VIEW

No.	PART NAME	MATERIAL	QTY.	H.D.G.	SURFACE TREATMENT
10	BASE CHANNM C 75X40X400	M.S.	1		
9	11KV Poly. Post Insulator 320mm C.D.	Polymeric	2		
8	F.R.P. Tube		1		
7	Al. Alloy Hook	Al. Alloy	1		
6	Terminal Connector	Al. Alloy	2		
5	Top Contact	Copper Alloy	1		Silver Plated
4	Bottom Contact Assembly	Copper Alloy	1		Silver Plated
3	Top Lever	Copper Alloy	1		Silver Plated
2	Top Assembly	Copper Alloy	1		Silver Plated
1	Bottom Assembly	Copper Alloy	1		Silver Plated
Sr.					

This is drawing given by Dave.

Chief Engineer (P & P)
U.G.V.C.L.R & C Office,
Mehsana.

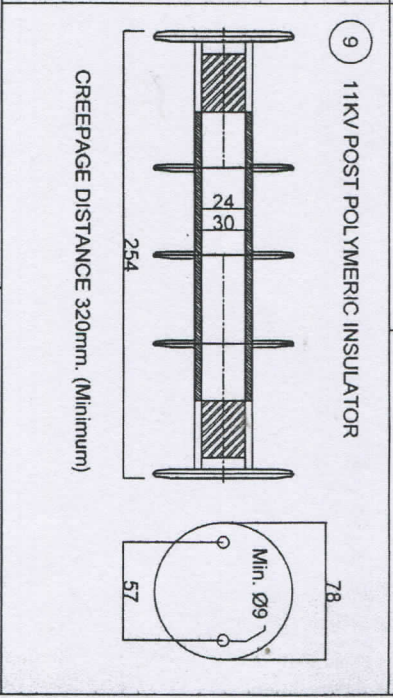
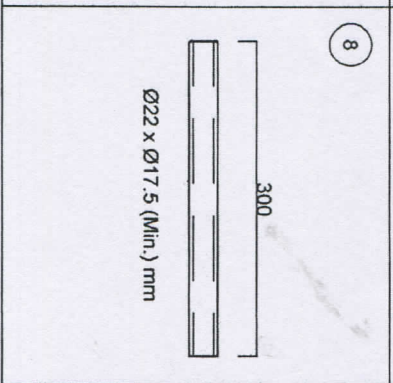
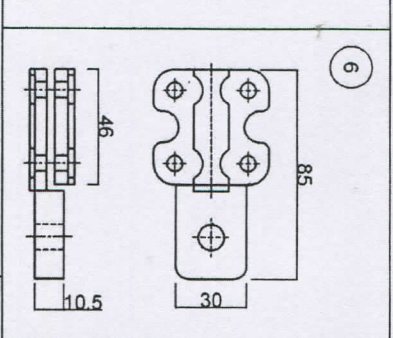
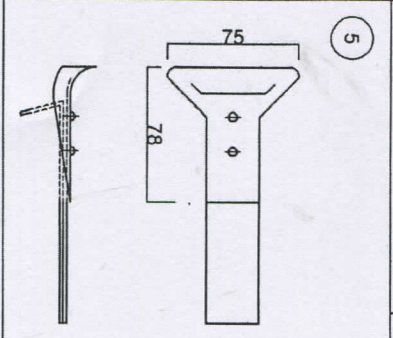
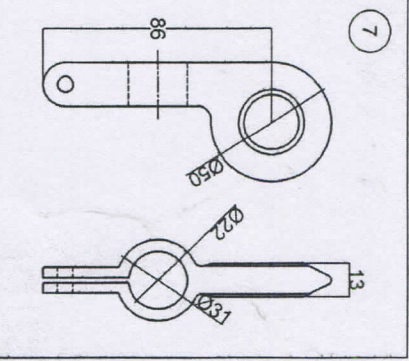
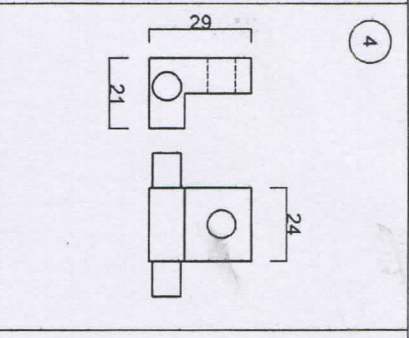
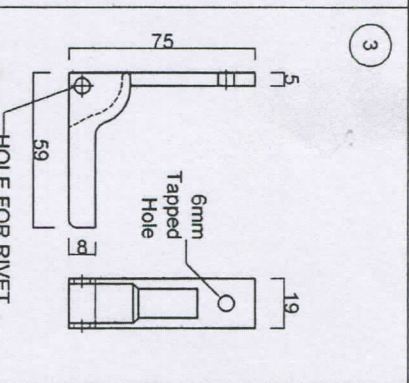
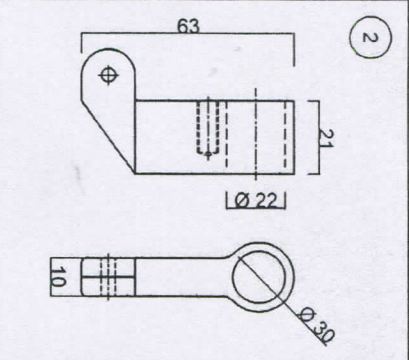
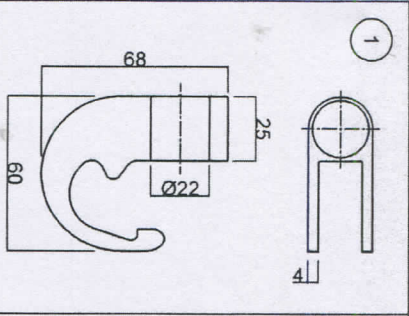
NOTES:-
 1) ALL DIMENSIONS ARE IN MM.
 2) GENERAL TOLERANCE: ± 5%; ± 1MM (MIN.)

DAKSHIN GUJARAT
VJU CO. LTD.

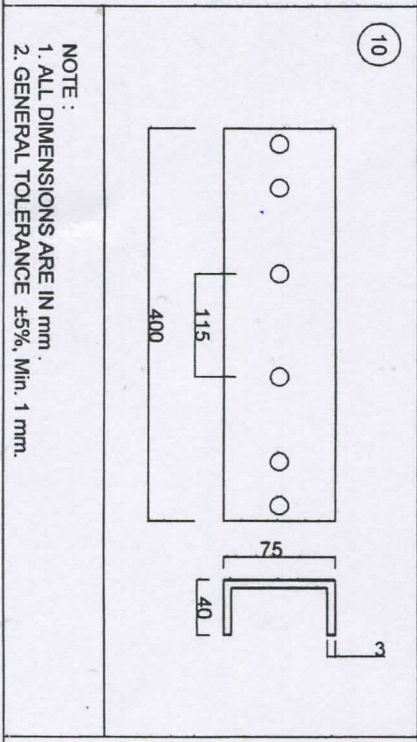
TITLE: G.A. DRAWING FOR 11KV/00 FUSE
 POLYMERIC

Dwg No. _____
 Sheet _____

DG41KV/PD0F/17 / 1 of 2



10	BASE CHANNML C 75X40X400	M.S.	1	H.D.G.
9	11KV Poly. Post Insulator 320mm C.D.	Polymeric	2	-
8	F.R.P. Tube	-	1	-
7	Al Alloy Hook	Al Alloy	1	-
6	Terminal Connector	Al Alloy	2	-
5	Top Contact	Copper Alloy	1	Silver Plated
4	Bottom Contact Assembly	Copper Alloy	1	Silver Plated
3	Top Layer	Copper Alloy	1	Silver Plated
2	Top Assembly	Copper Alloy	1	Silver Plated
1	Bottom Assembly	Copper Alloy	1	Silver Plated
SC	PART NAME	MATERIAL	QTY.	TREATMENT



NOTE :
 1. ALL DIMENSIONS ARE IN mm.
 2. GENERAL TOLERANCE ±5%, Min. 1 mm.

This is drawing given by DAWOL

Chief Engineer (P & P)
U.G.V.C.L.R. & S Office,
Mohsana.

DAKSHIN GUJARAT
VJ CO. LTD.

TITLE PART DRAWING FOR 11 KV DO FUSE
 POLYMERIC
 Dwg No. DG/11KV PDOR/17
 Sheet 2 of 2