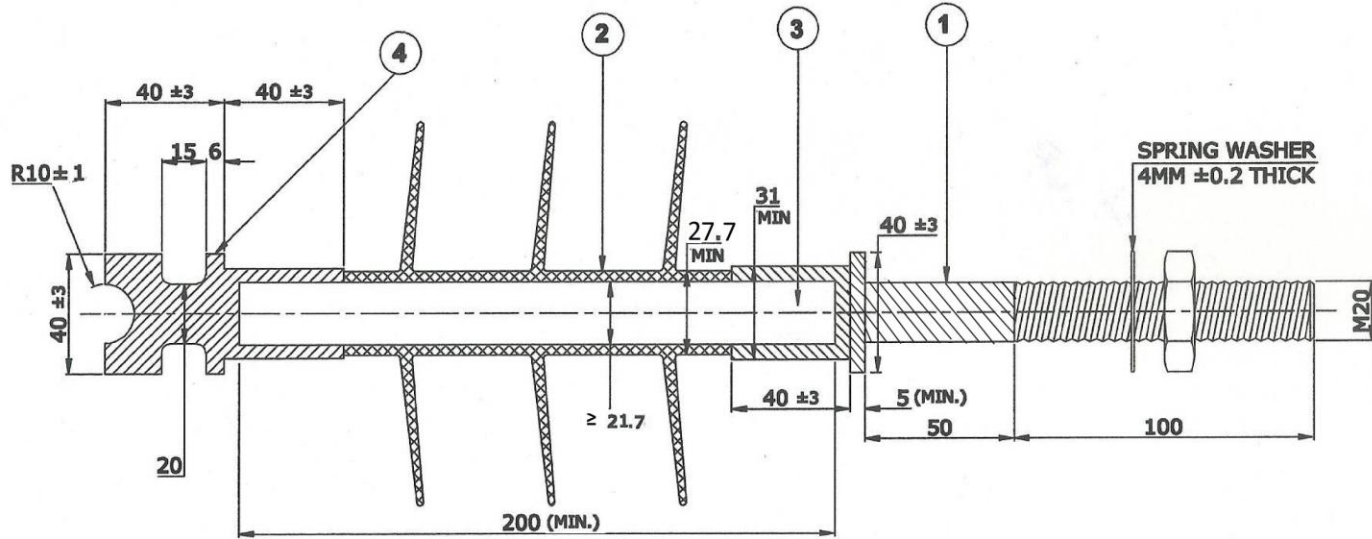


**11KV, 5KN, 340 Creepage Distance, PIN Type Composite (Polymer) Insulator**



**NOTE: TOLERANCE AS PER IEC 61109**

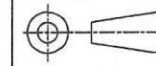
<b>MECHANICAL FAILING LOAD (MIN.)</b>	: 5 KN (SML)
<b>RATED VOLTAGE</b>	: 11KV
<b>NUMBER OF SHEDS</b>	: 3 (MIN.)
<b>DRY ARCHING DISTANCE</b>	: ≥ 165 mm (MIN.)
<b>MIN. CREEPAGE DISTANCE</b>	: ≥ 340 mm (MIN.)
<b>TOP FITTINGS</b>	: SGI / MCI / FORGED STEEL
<b>BOTTOM FITTING</b>	: FORGED STEEL SINGLE PIECE ONLY
<b>FRP ROD DIA.</b>	: ≥ 21.7 mm
<b>OUTER DIA. OF FRP ROD WITH SHEATH</b>	: 27.7 mm (MIN.)
<b>LENGTH OF FRP ROD</b>	: 200 mm (MIN.)
<b>HIGHEST SYSTEM VOLTAGE</b>	: 12 KV
<b>DRY POWER FREQUENCY WITHSTAND VOLTAGE</b>	: ≥ 70 KV
<b>WET POWER FREQUENCY WITHSTAND VOLTAGE</b>	: ≥ 45 KV
<b>DRY LIGHTNING IMPULSE WITHSTAND VOLTAGE</b>	: ≥ 110 KV
<b>VISIBLE DISCHARGE VOLTAGE</b>	: 9 KV
<b>APPLICABLE STANDARD</b>	: IEC 61109-2008 (With Amendment, if any)
<b>DIA. OF WEATHER SHED</b>	: ≥ 90 mm
<b>WEIGHT OF INSULATOR</b>	: 1.2 KG (APPROX.)

- (1) Bottom End Metal Fitting
- (2) Silicon Housing
- (3) FRP Rod
- (4) Top End Metal Fitting

**TITLE:**  
11 KV, 5KN PIN TYPE  
COMPOSITE (POLYMER)  
INSULATOR

**SCALE:** All Dimensions  
NTS Are In MM.

**APPROVED BY:**



**DRG NO.:** 11KV/5KN-320CD-PIN/Polymer