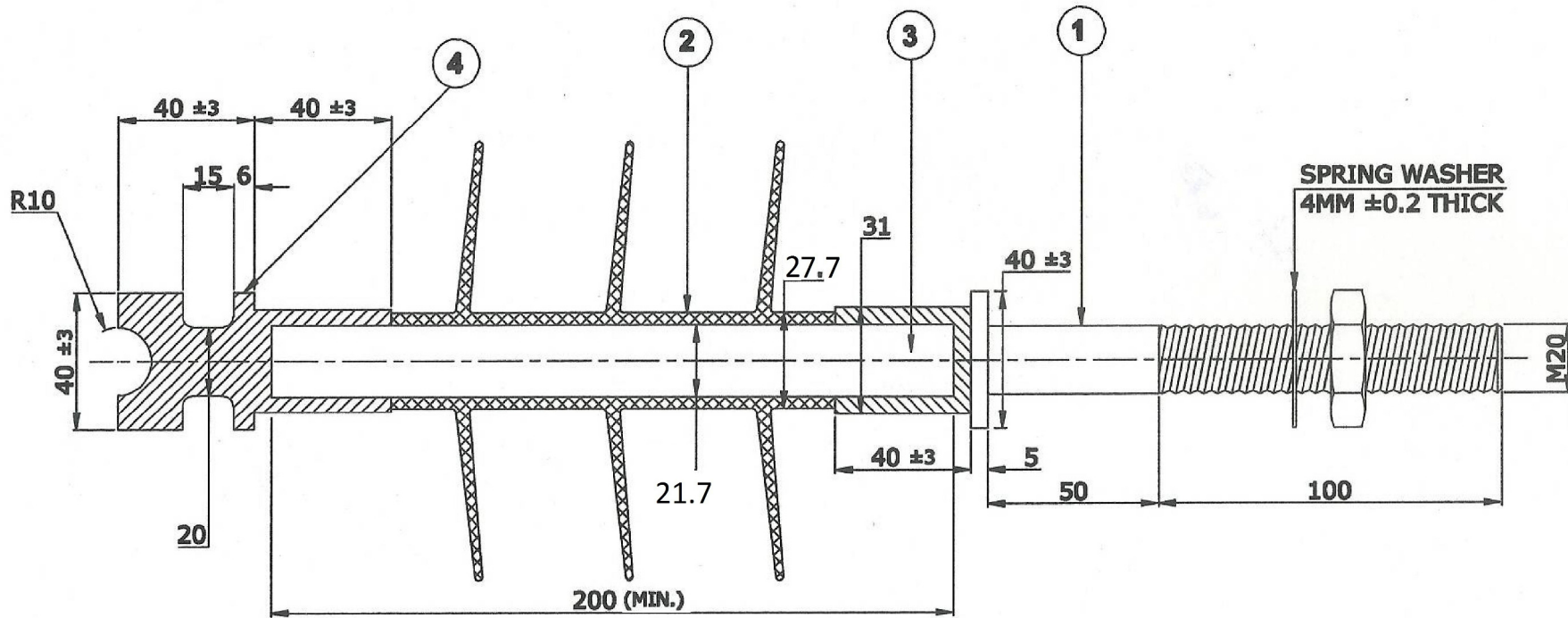


11KV, 5KN, 340 Creepage Distance, PIN Type Composite (Polymer) Insulator



NOTE: TOLERANCE AS PER IEC 61109

MECHANICAL FAILING LOAD² (MIN.)	: 5 KN (SML)
RATED VOLTAGE	: 11KV
NUMBER OF SHEDS	: 3 (MIN.)
DRY ARCHING DISTANCE	: ≥ 165 mm (MIN.)
MIN. CREEPAGE DISTANCE	: ≥ 340 mm (MIN.)
TOP & BOTTOM FITTINGS	: SGI / MCI
FRP ROD DIA.	: ≥ 21.7 mm
OUTER DIA. OF FRP ROD WITH SHEATH	: 27.7 mm (MIN.)
LENGTH OF FRP ROD	: 200 mm (MIN.)
HIGHEST SYSTEM VOLTAGE	: 12 KV
DRY POWER FREQUENCY WITHSTAND VOLTAGE	: ≥ 70 KV
WET POWER FREQUENCY WITHSTAND VOLTAGE	: ≥ 45 KV
DRY LIGHTNING IMPULSE WITHSTAND VOLTAGE	: ≥ 110 KV
VISIBLE DISCHARGE VOLTAGE	: 9 KV
APPLICABLE STANDARD	: IEC 61109-2008 (With Amendment, if any)
DIA. OF WEATHER SHED	: ≥ 90 mm
WEIGHT OF INSULATOR	: 1.2 KG (APPROX.)

This is Schematic Drawing

TITLE: 11 KV, 5KN PIN TYPE COMPOSITE (POLYMER) INSULATOR	SCALE: NTS	All Dimensions Are In MM.	APPROVED BY:
DRG NO.: 11KV/5KN-320CD-PIN/Polymer			